

壁挂式节水型自动感应小便器 Auto Flush Wall Mounted Urinal (Compact)

USWN925系列/
USWN925 Series

安全注意事项/安装前的注意事项 Cautions and Warnings/Before Installing	· · ·	P.2 P.4
完成图 / As-fitted Drawing	· · ·	P.6
同捆零件 / Included Parts	· · ·	P.7
需准备的工具 / Required Tools	· · ·	P.7
关于各部位 / About Parts	· · ·	P.8
安装方法 / Installation Method	· · ·	P.9

为了充分发挥产品的性能，请按施工说明书内容正确安装。
安装后，请向顾客详细说明使用方法。 /

Perform the installation work properly according to this Installation Guide so that the product can function well.
After installation, fully explain how to use it to your customer.




安全注意事项 (为了您的安全, 请务必遵守)



安装前, 请仔细阅读「安全注意事项」。并根据其内容正确安装。
为了使您能正确地安装该产品, 防止危害您或他人的安全及财产损失, 本说明书记载了各种标志。
标志的意思说明如下。

 警告	表示如果忽视该标志栏的内容, 错误操作, 将可能导致人员死亡或重伤。	 注意	表示如果无视此标志而误操作时, 有可能造成人身伤害或财产损失。
---	------------------------------------	---	---------------------------------

应遵守的内容种类用以下标志区分进行说明。

	 表示不得进行的“禁止”内容。 左图表示“禁止在浴池、淋浴器使用”。		 表示必须实行的“强制”内容。 左图表示“必须实行”。
---	--	---	---

 警告	
 潮湿环境禁止使用	<ul style="list-style-type: none"> ● 不要安装在浴室内等潮湿场所 否则会造成故障、漏电。
 禁止拆解	<ul style="list-style-type: none"> ● 除维修技术人员之外, 其他人绝不要进行拆解、维修、改装 否则有可能会引起故障、触电、受伤。

 注意	
 必须实行	<ul style="list-style-type: none"> ● 必须要有2人以上进行施工 否则有可能会使腰受伤, 或是陶瓷掉落造成损坏。 ● 施工后, 必须要进行试运行, 确认各部位没有漏水 如安装不到位, 就有可能漏水, 造成财产损失, 如淋湿家具等。

安装前的注意事项

警告



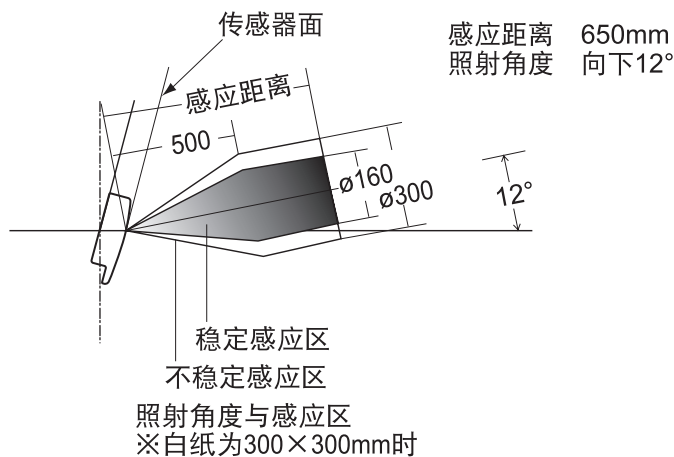
必须实行

- 必须要安装过电流断路器、漏电断路器，以防发生危险
使用电线：600V塑料绝缘电线或电缆
($\phi 1.6$ 、 $\phi 2.0$ mm的单线或2.0mm的绞线)
- 电源线的接线部应进行绝缘及防淋水处理
- 不得将电源线的接线部放入设备内
否则有可能造成触电、漏电、火灾。

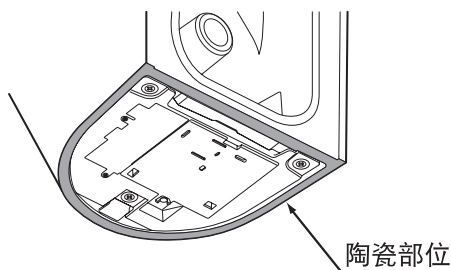
● 给水和电器施工前，请对施工工序进行充分的商讨。

- 请在现场准备好电源线。（仅AC型）
- 由于不需要接地线，请使用二芯电源线。（仅AC型）
- 供水压力范围：最低所需水压为0.07MPa（流动时），最高水压为0.75MPa。请在这个压力范围内使用。
- 请注意不要损伤传感器面。
- 因为是电气设备，请注意不要淋水。

传感器的照射角度与感应距离如图。另外，如要在小便器前方安装扶手等，安装时请注意光电传感器感应区内（稳定感应区内或不稳定感应距离内）不要有障碍物。如果在离小便器安装墙面3米以内的部位设置镜子和不锈钢等容易反射光的物体，会引起误操作。而且，就算是离开3米以上，如果相对的镜子和不锈钢等没有垂直安装或者地面很容易反射光，也会引起误操作。



- 在强光照射的环境中有可能不会工作。
- 有可能会因变频器或使用红外线的其他设备而造成误操作。
- 由于包装前会进行通水检查，因此商品内有可能留有水分，商品无问题。
- 要抬起产品时，请握住陶瓷部位。






Cautions and Warnings (For safety, be sure to follow these)



Before installation, read these "Cautions and Warnings" carefully and attach the equipment correctly. This manual uses various symbol examples to provide guidance on safely installing the product and to prevent injury to customers or other people and damage to property. The symbol examples and their meanings are as follows.

 WARNING	This indicates that misoperation could result in death or serious injury.	 CAUTION	This indicates that misoperation could result in injury or property damage.
---	---	---	---

Items to be observed are classified by type and explained with the following pictograms.

	<p>⊘ indicates a prohibited use of the product. The symbol to the left indicates that "use is prohibited in bathrooms and shower stalls."</p>		<p>ⓘ indicates a required step in the use of this product. The symbol to the left indicates the action is "Required."</p>
---	--	---	--

 WARNING	
 Use prohibited near water	<ul style="list-style-type: none"> ● Do not install in locations of high humidity such as bathrooms Doing so may cause a malfunction or current leak.
 Do not disassemble	<ul style="list-style-type: none"> ● People other than repair technicians should never disassemble, repair, or alter the product Doing so may cause a malfunction, electrical shock, or injury.

 CAUTION	
 Required	<ul style="list-style-type: none"> ● Always carry out construction work with at least two people Otherwise, the installer may injure his or her lower back, or drop the porcelain and damage it. ● After construction, be sure to give the product a test run and check that there are no water leaks in any part Not installing the product properly may cause water leaks that could result in flooding damage to property, such as household belongings.

Before Installing

⚠ WARNING



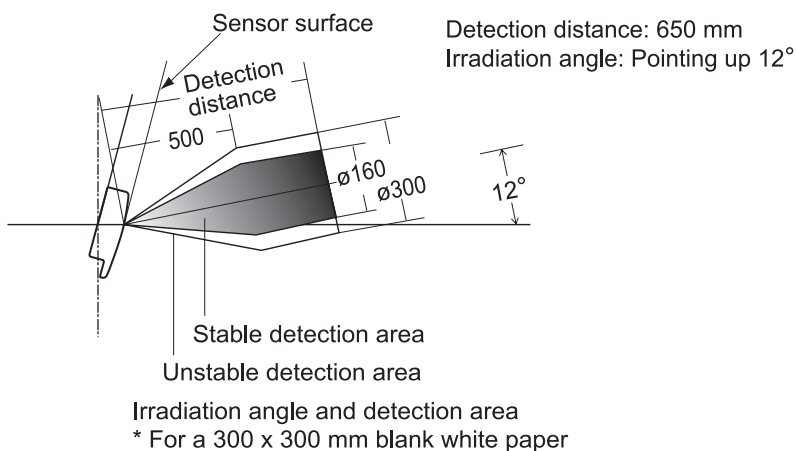
Required

- Be sure to install an overcurrent breaker and earth leakage circuit breaker in order to prevent unforeseen danger
Electric wire: Use a 600V plastic shielded electric wire or cable (A $\phi 1.6$ mm or $\phi 2.0$ mm single wire, or 2.0 mm stranded wire)
- Insulate and waterproof the power wire connector
- Do not insert the power wire connector inside the device
Doing so may cause electrical shock, a current leak, or a fire.

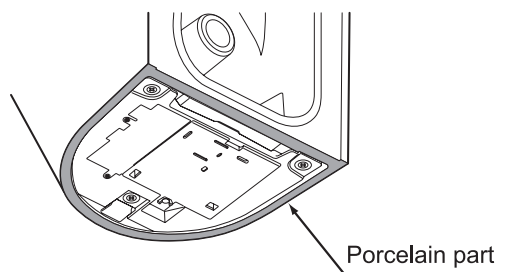
● Thoroughly discuss the relevant procedures before performing water and electrical work.

- The power wire is to be provided on-site. (AC type only)
- A grounding wire is not needed, so use a two-core power wire. (AC type only)
- Water supply pressure ranges from a minimum required water pressure of 0.07 MPa (dynamic) to a maximum water pressure of 0.75 MPa. Use the product within this pressure range.
- Be especially careful not to damage the surface of the sensor.
- This product is an electrical appliance. Be careful not to spray water on it.

The irradiation angle and detection distance of the sensor are as shown in the diagram. When installing a handrail or the like in front of the urinal, do so in a way that does not obstruct the detection areas (inside the stable detection area and inside the unstable detection distance) of the photoelectric sensor. Installing a mirror, stainless steel object, or other reflective material within 3 m from the surface of the wall the urinal is installed on could cause malfunctions. However, even if such objects are installed 3 m or further away, malfunctions could still occur if the mirror, stainless steel object, etc. on the opposite wall is not installed perpendicular, or if the floor is very reflective.



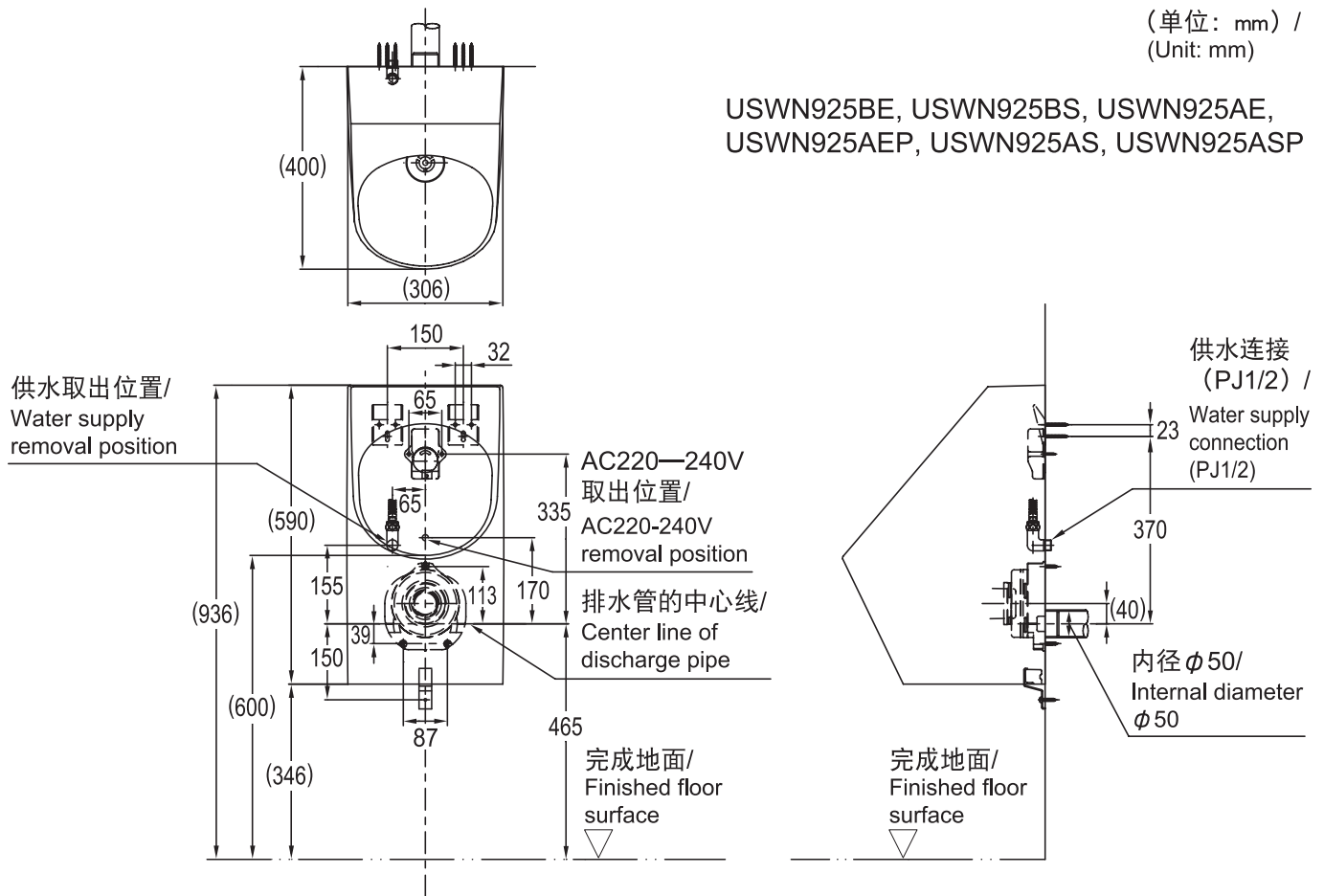
- The product may not function in environments exposed to strong sunlight.
- Inverters or other devices that use infrared light could cause malfunctions.
- A water supply inspection has been conducted prior to packaging. There may be some water remaining inside the product, but this is normal.
- Hold the porcelain part of the product when lifting it up.



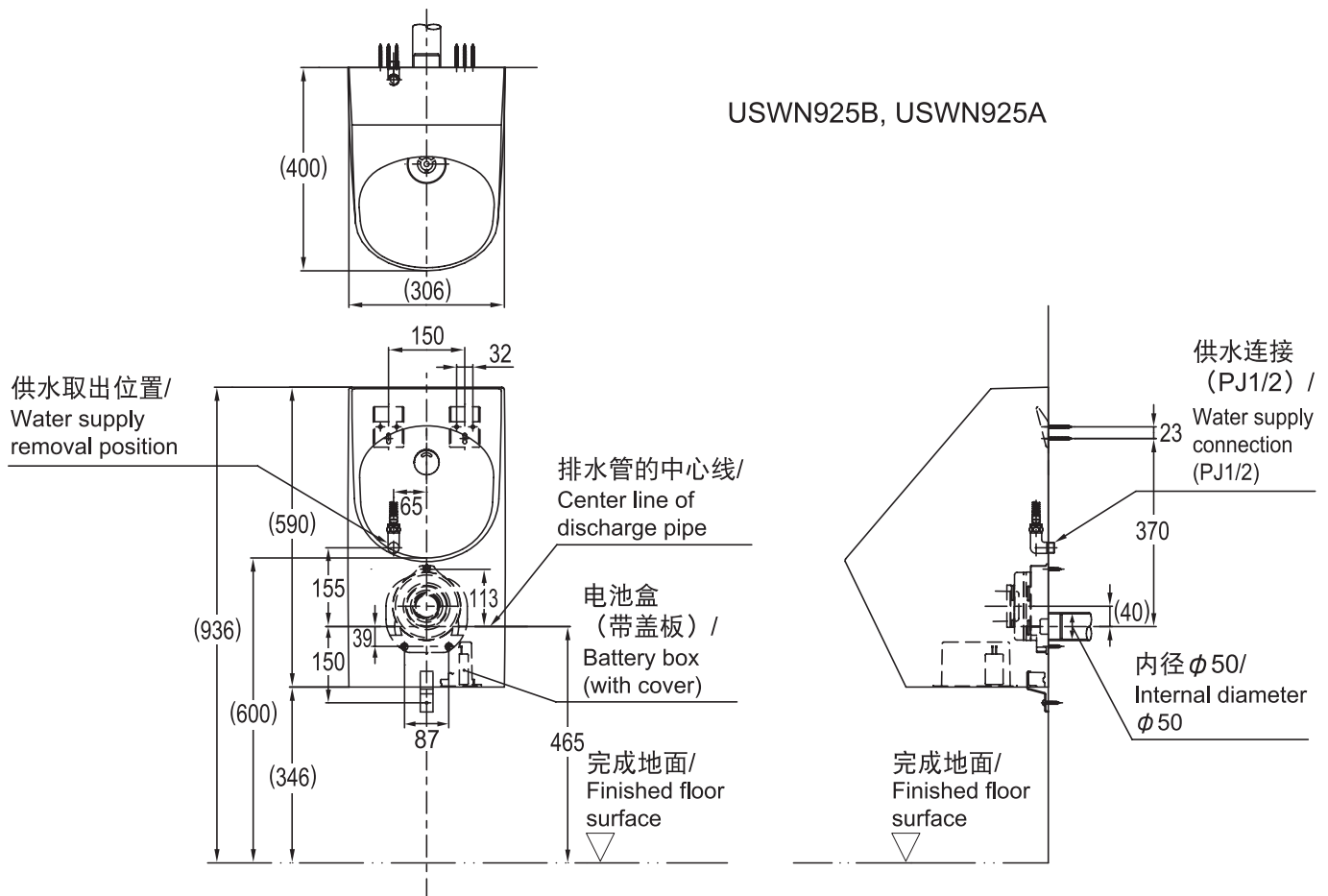
完成图 / As-fitted Drawing

(单位: mm) /
(Unit: mm)

USWN925BE, USWN925BS, USWN925AE,
USWN925AEP, USWN925AS, USWN925ASP



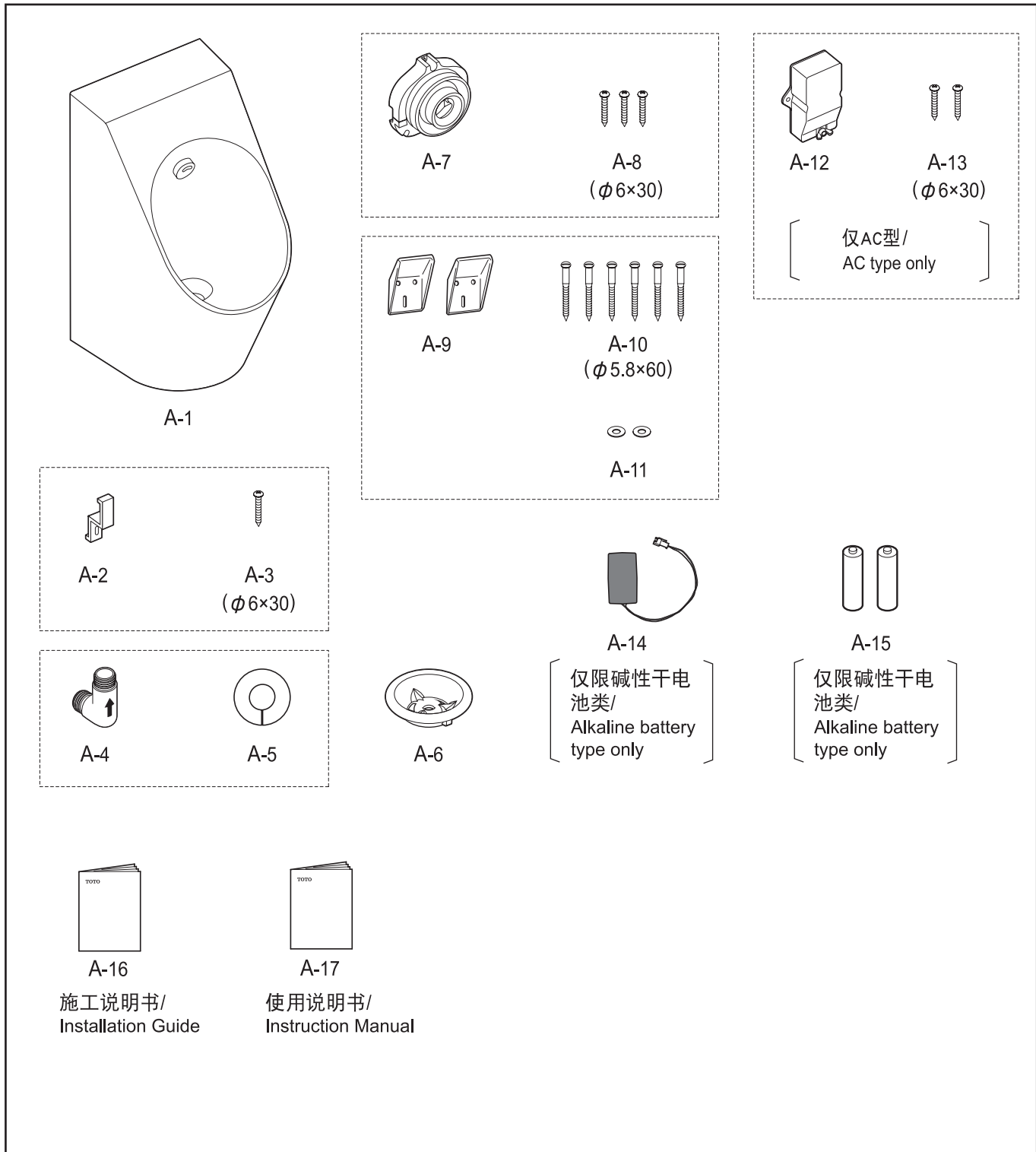
USWN925B, USWN925A



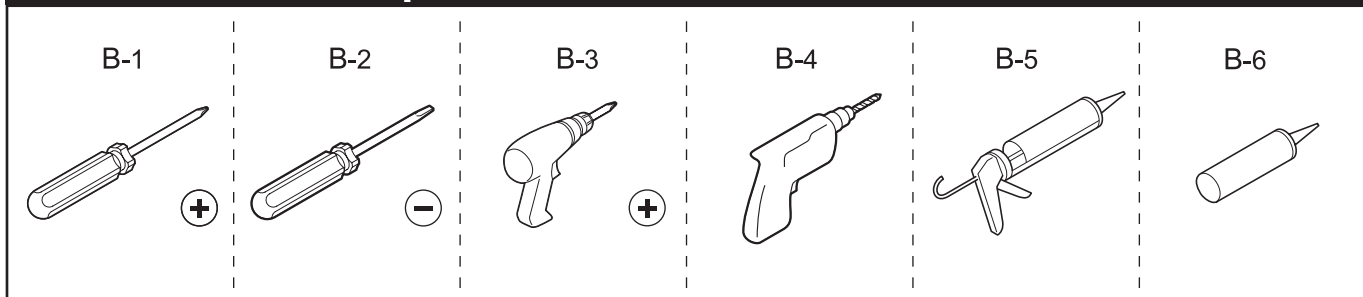
同捆零件/Included Parts

※零件是否齐全，请参照以下内容确认。/

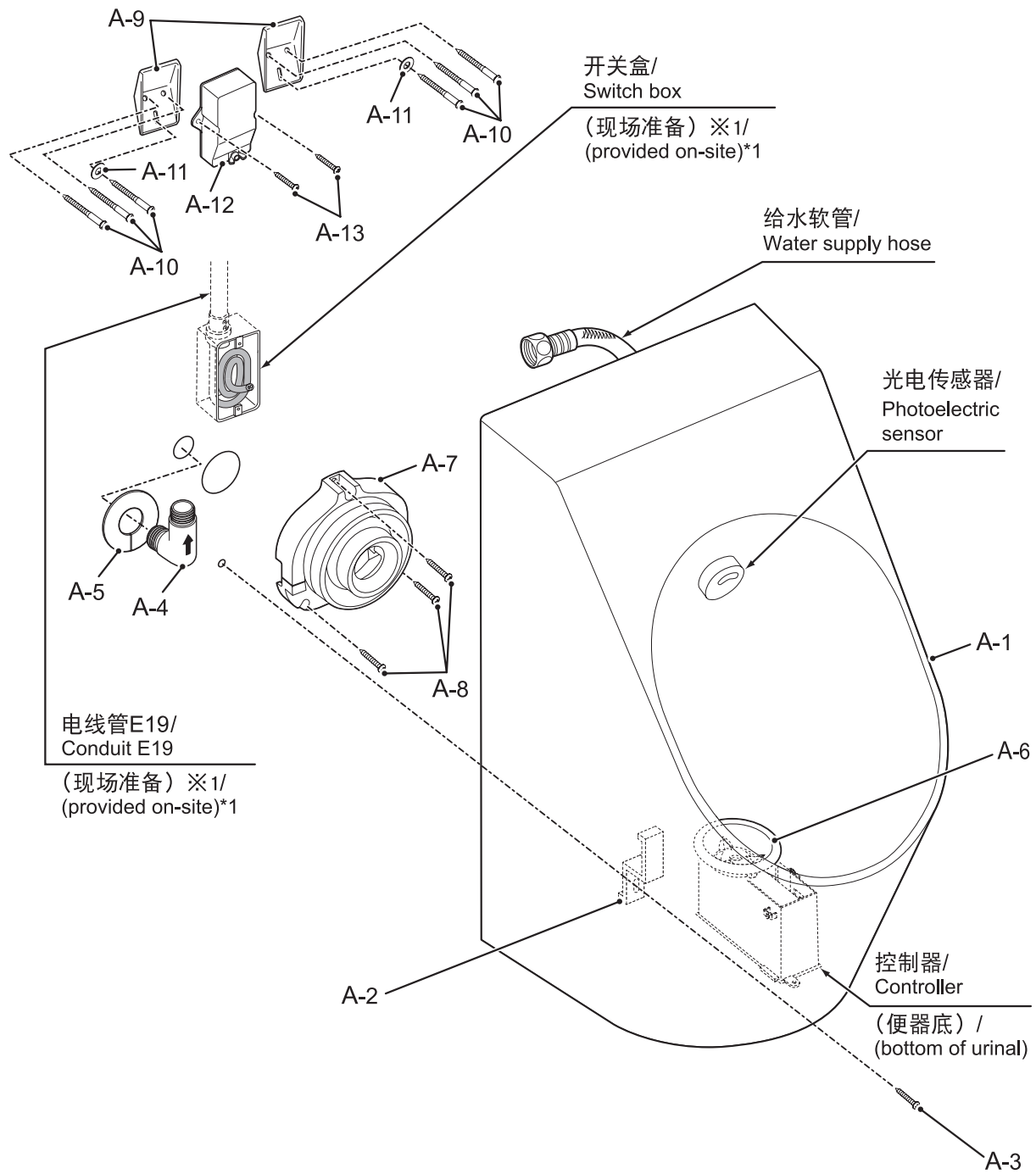
* Refer to the following and confirm that no parts are missing.



需准备的工具/Required Tools




关于各部位/About Parts





※1仅针对AC型/
*1 is for AC type only

安装方法/Installation Method


ZH 标志的意思


 : 安装者必须实施的操作。


 : 必须确认的作业。

 : 操作流程。

EN Meaning of the symbol examples

 : Task that must be conducted by the installer.

 : Work that requires confirmation.

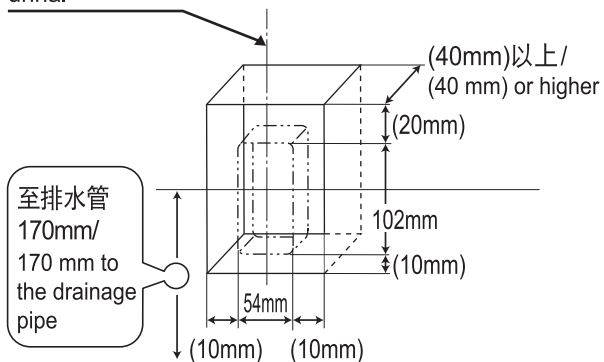
 : Shows the work sequence.

1

开关盒的安装方法/
Switch box installation method

(仅限AC型、湿法/干法施工时) /
(AC type, for wet and dry construction)

小便器中心线/
Center line of the
urinal



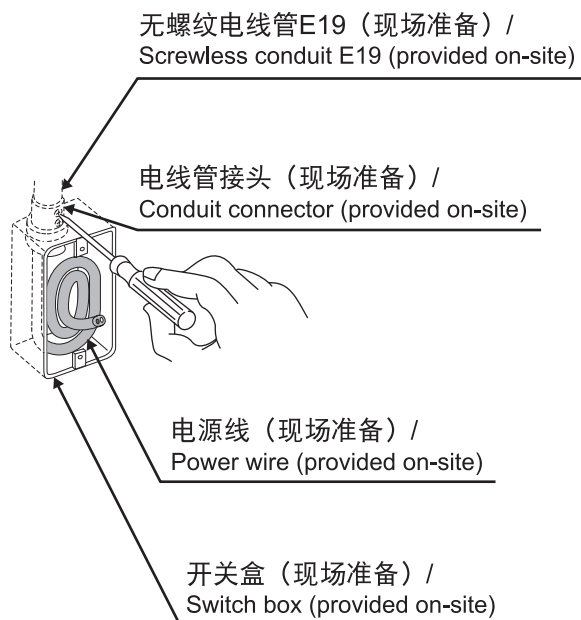
2

(仅限AC型、湿法/干法施工时) /
(AC type, for wet and dry construction)

1

将电线管和开关盒连接到线管接头，再将电源线通到电线管，引入开关盒内。 /

Connect the conduit and switch box to the conduit connector, pass the power wire through the conduit, and pull it into the switch box.



※请使用单个开关盒（无盖）。 /

* Use a switch box (coverless) for a single device.

※由于不需要地线，请使用二芯电源线。 /

* A grounding wire is not needed, so use a two-core power wire.

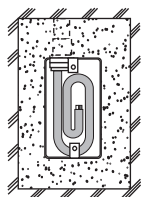
※从盒拉出电源线时，必须要留40cm的余量，拉出后再卷起放到盒内。 /

* Wind the power wire inside the box, but be sure to leave around 40 cm of slack outside the box.

2

用砂浆回填开关盒的周围。 /

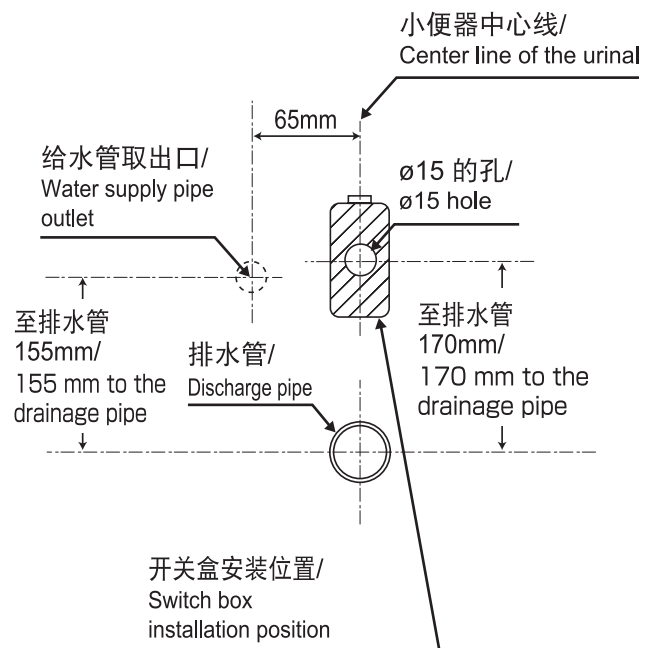
Fill the area around the switch box with mortar.



3

（仅限AC型、湿法/干法施工时） /

(AC type, for wet and dry construction)



※请在装饰板上开一个ø15的孔，再将电源线引入室内。 /

* Open a ø15 hole in the decorative board, and pull the power wire inside.

ZH		警告	
	禁止	<ul style="list-style-type: none">● 不要让给水管与电源线接触 否则会造成故障、漏电。	
EN		WARNING	
	Prohibited	<ul style="list-style-type: none">● The water supply pipe and power wire must not touch Doing so may cause a malfunction or current leak.	

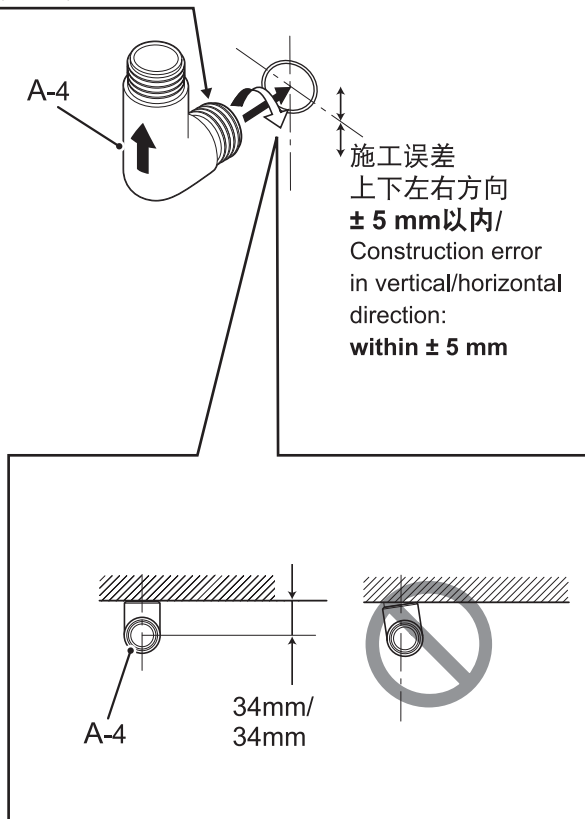
4

注意
CAUTION

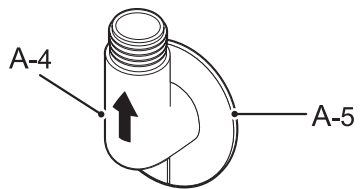
安装前必须通水，去除给水管内的垃圾。 /
Be sure to supply water through the water supply pipe to flush out any dirt prior to installation.

1

卷绕密封材
(PJ1/2) /
Wrap seal material
(PJ1/2)



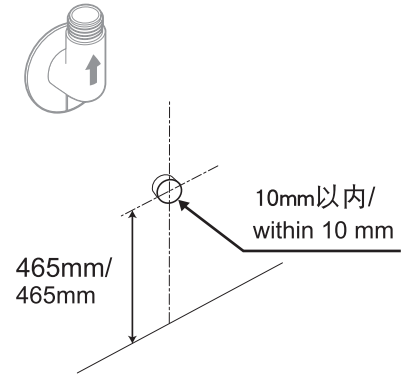
2



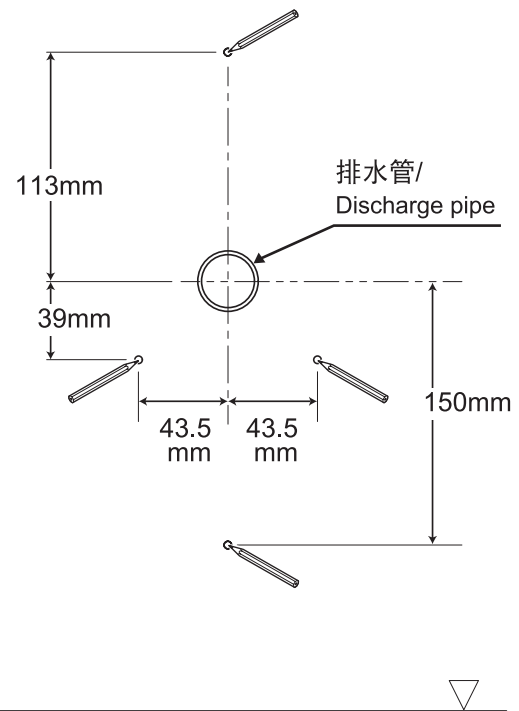
5

排水套管的安装方法 /
Discharge socket installation method

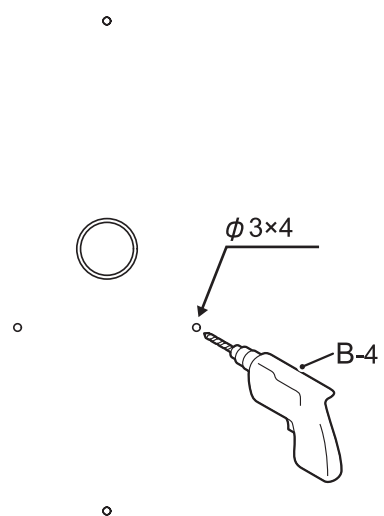
1



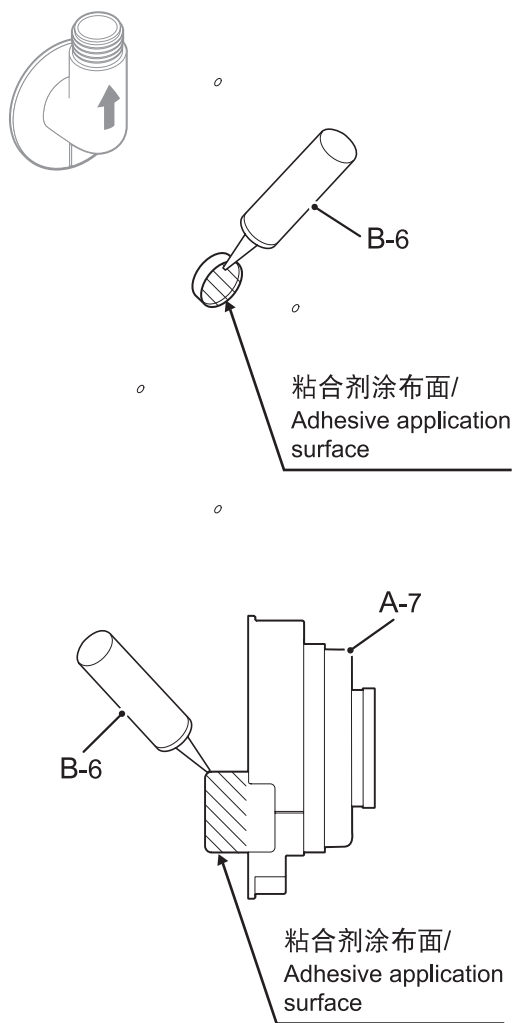
2



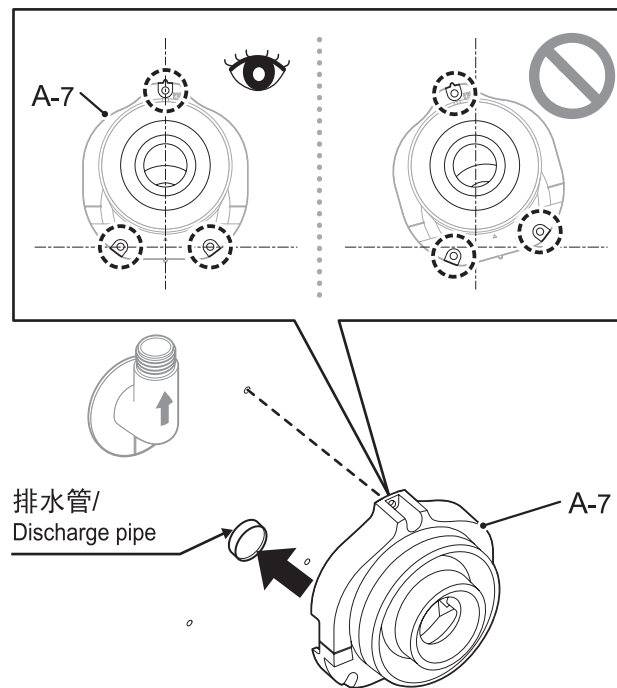
3



4



5



※一次粘合之后就无法返工，所以请多加注意。/
* Be careful, as it cannot be adjusted after it is attached.

ZH

⚠ 注意



必须实行

- 排水套管（A-7）本体与聚氯乙烯排水管的衔接如有松动，使用普通型的粘合剂有可能会引起漏水，所以务必要使用高粘度型的粘合剂。使用普通型的粘合剂有可能会漏水，造成财产损失，如淋湿家具等。

EN

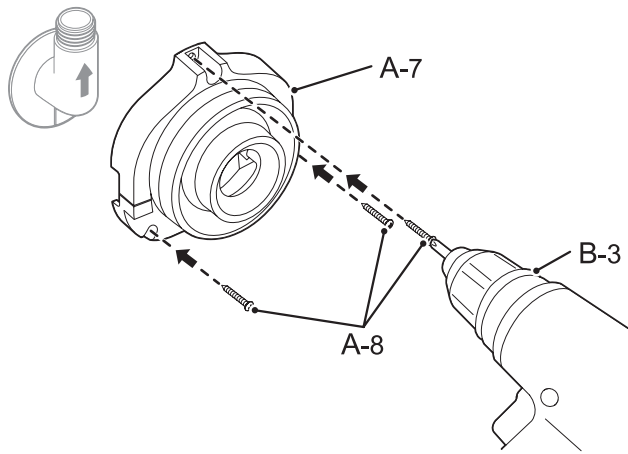
⚠ CAUTION



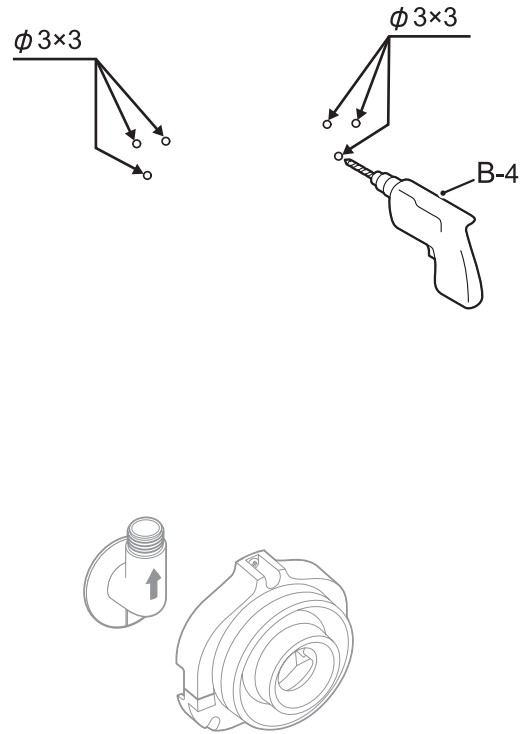
Required

- If the fit between the discharge socket (A-7) unit and PVC discharge pipe is loose, be sure to use high viscosity type adhesive, as general-use adhesive could cause leaks to occur. General-use adhesive could cause water leaks that could result in flooding damage to property, such as household belongings.

6



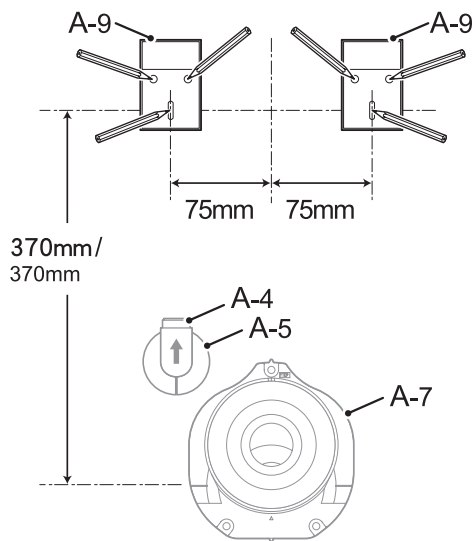
2



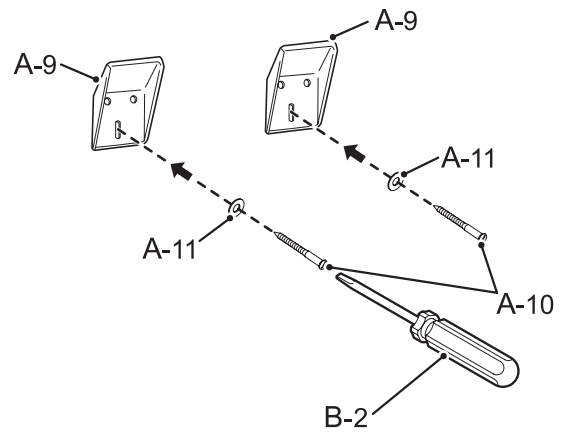
6

后背吊钩的安装方法/ Back hanger installation method

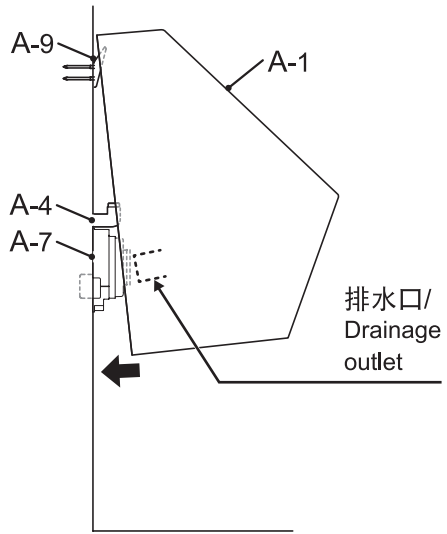
1



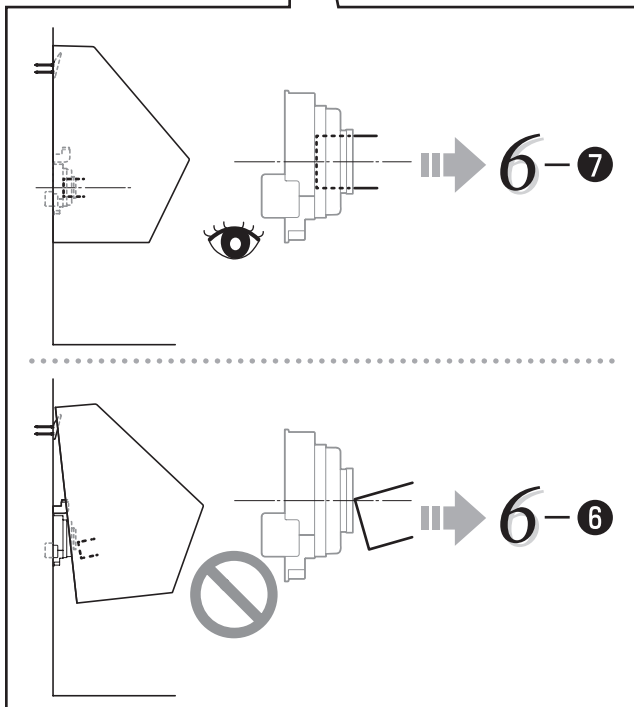
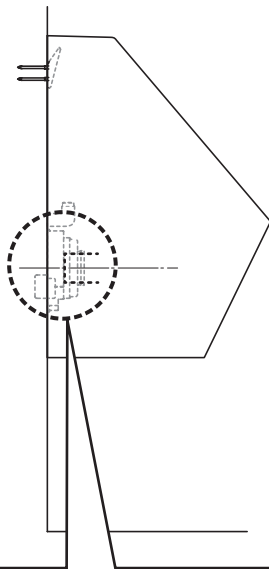
3



4

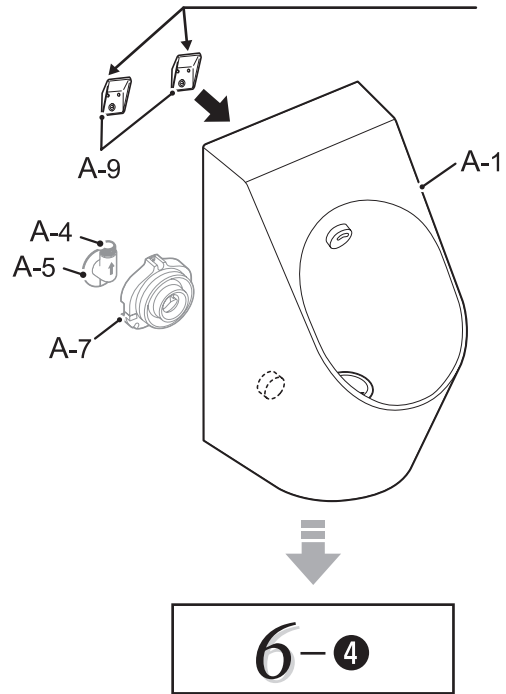


5

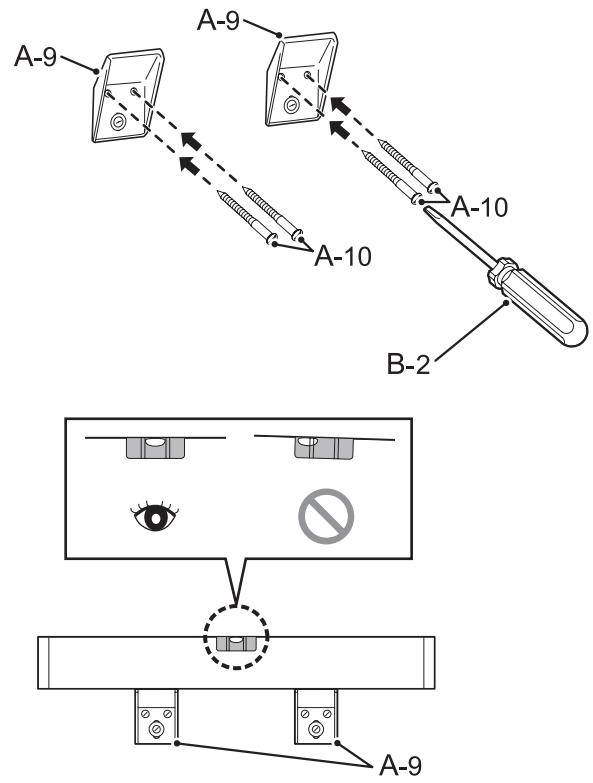


6

上下挪动调节/
Move vertically and adjust

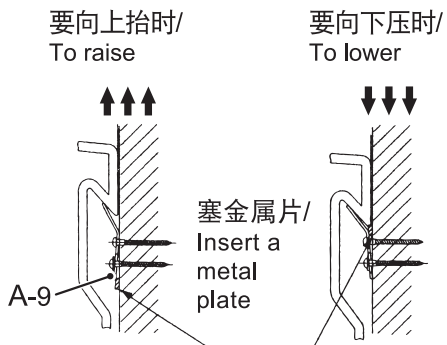


7

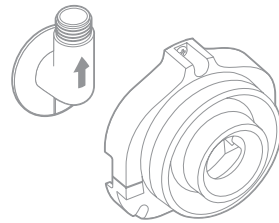
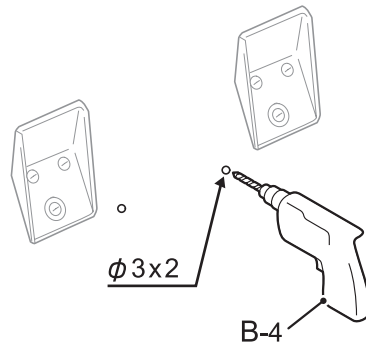


此时，如果小便器（A-1）没有达到规定高度，可拧松后背吊钩（A-9）的木螺钉（A-10），在与墙壁之间塞入金属片进行调整。 /

If the urinal (A-1) does not reach the indicated height, loosen the back hanger's (A-9) wood screws (A-10), then place a metal plate between it and the wall to adjust it.



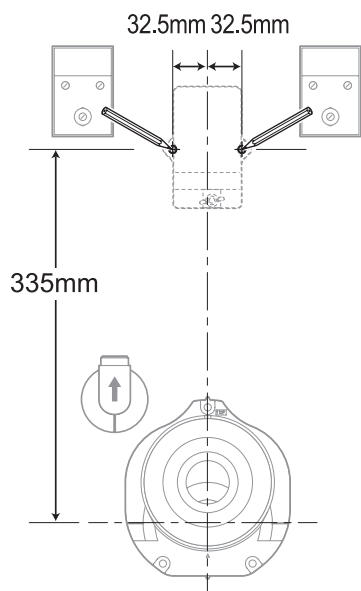
2



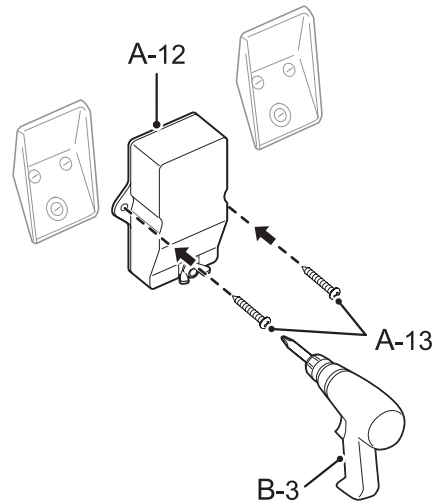
7

端子台盖板的安装方法 / Terminal block cover installation method

1



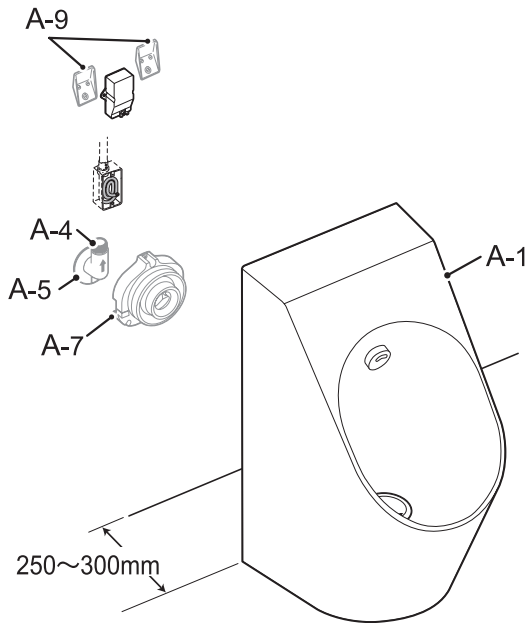
3



8

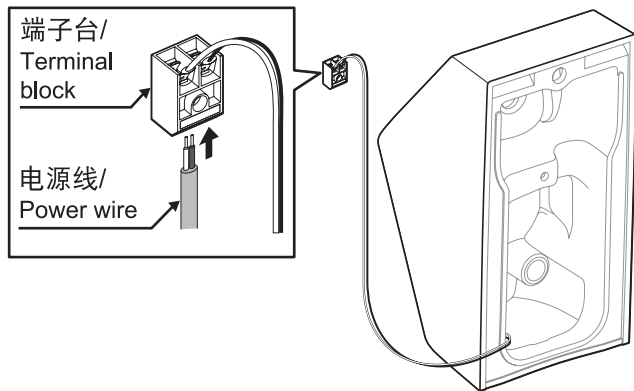
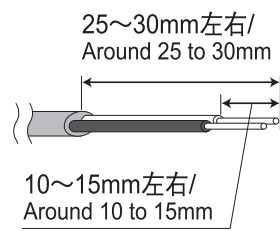
※仅AC型/
* AC type only

1

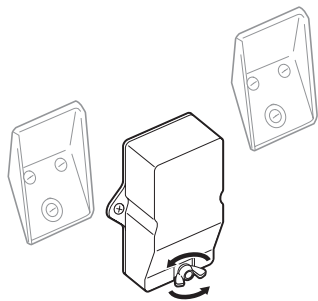


2

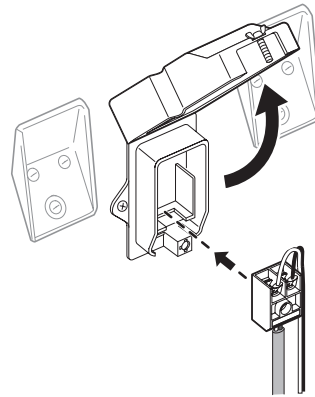
<电源线的连接>
<Connecting the power wire>



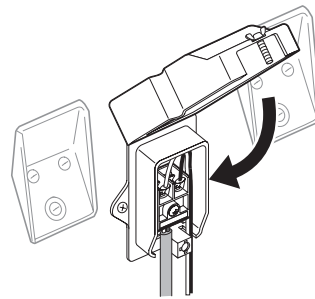
3



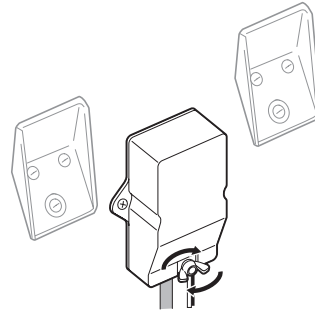
4



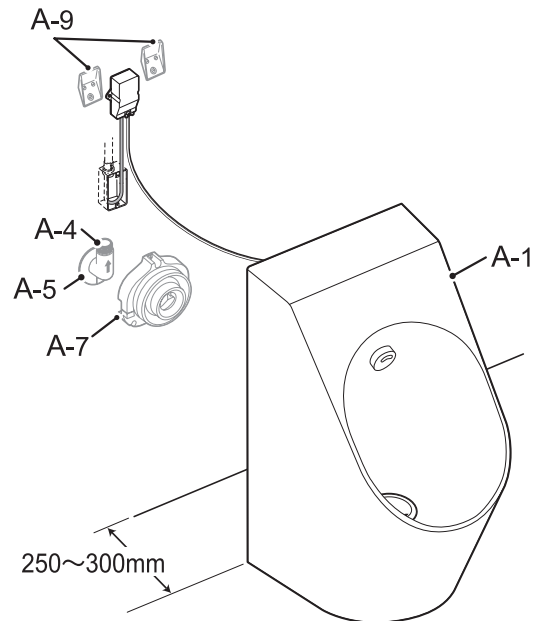
5



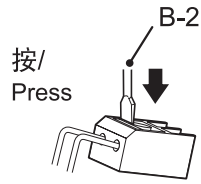
6



7



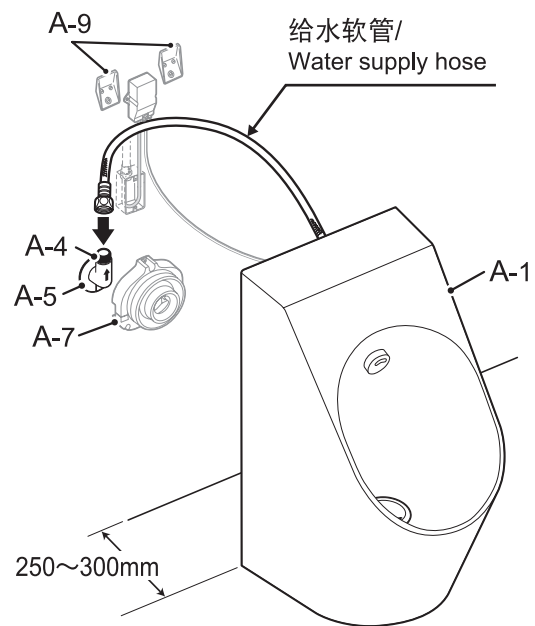
<拆下电源线时>
<When removing the power wire>



ZH 警告	
 必须实行	<ul style="list-style-type: none"> ● 确认没有通电后再连接 否则有可能触电。
	<ul style="list-style-type: none"> ● 电源端子台与主电源必须要由有资格人员连接 否则有可能引起故障，造成触电。
	<ul style="list-style-type: none"> ● 将电源线（VVF）插入端子台时，将接地线插入白线侧，将非接地线插入黑线侧 否则有可能引起火灾。 <div style="text-align: center;"> <p>黑线 白线</p> </div>
EN WARNING	
 Required	<ul style="list-style-type: none"> ● Confirm that no current is applied before connecting the power wire Doing so may cause electrical shock.
	<ul style="list-style-type: none"> ● The power supply terminal block and primary power supply must be connected by a qualified person only Doing otherwise may cause a malfunction or electrical shock.
	<ul style="list-style-type: none"> ● When inserting the power wire (VVF) into the terminal block, insert the grounded side of the wire into the white line side, and the non-grounded side of the wire into the black line side Failure to do so may cause fire. <div style="text-align: center;"> <p>Black line White line</p> </div>

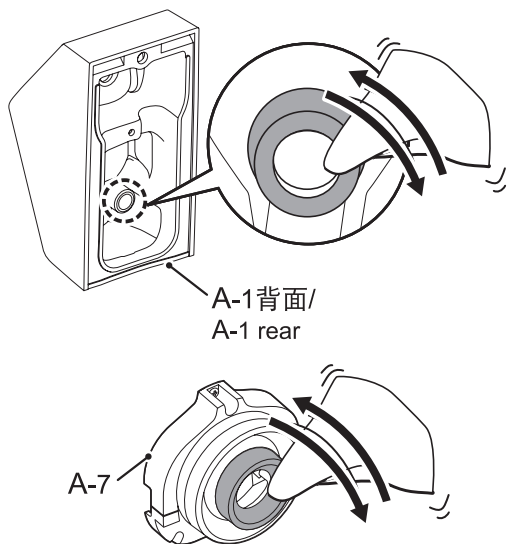
ZH 注意	
 必须实行	<ul style="list-style-type: none"> ● 拆下电源线时，必须要用一字螺丝刀按下电源端子台上表面的白色部分再拆下 如果强行拉出，有可能会损坏控制器。
EN CAUTION	
 Required	<ul style="list-style-type: none"> ● When removing the power wire, always be sure to press the white part on the surface of the power supply terminal block with a flat-head screwdriver, then remove the wire Pulling the power wire out with unreasonable force may cause damage to the controller.

9

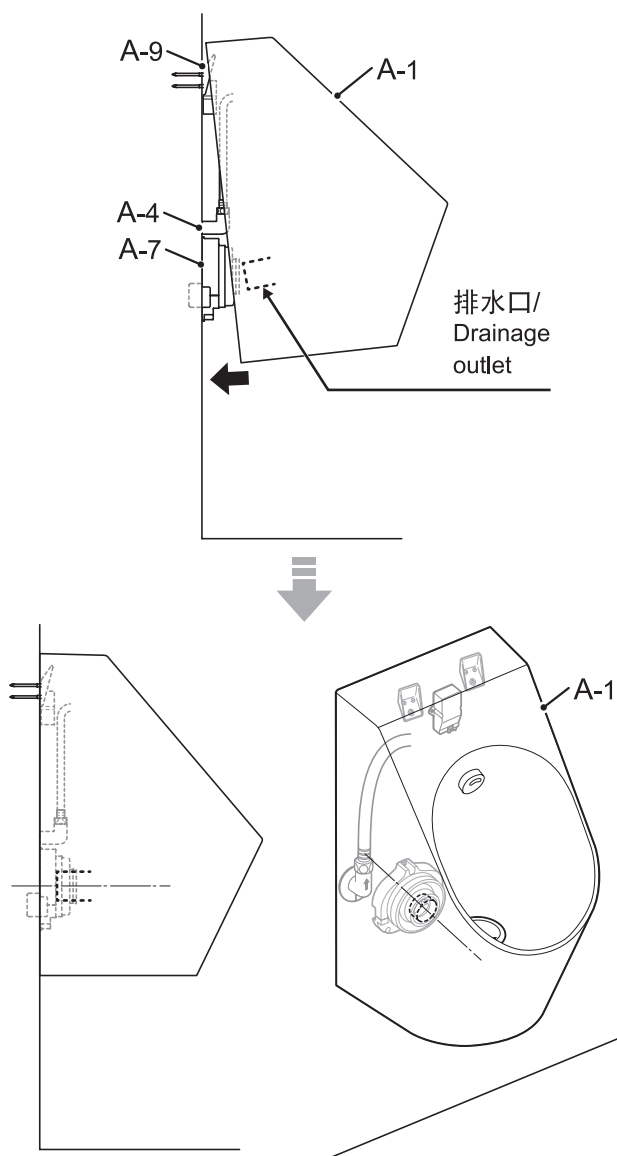


10

①



②



ZH

⚠ 注意



禁止

- 安装小便器 (A-1) 时, 不要从排水口侧安装
否则A-7 (排水套管) 处会漏水, 造成财产损失, 如淋湿家具等。

EN

⚠ CAUTION



Prohibited

- **Do not install the urinal (A-1) from the drainage outlet side**
Doing so could cause water leaks from A-7 (the discharge socket) that could result in flooding damage to property, such as household belongings.

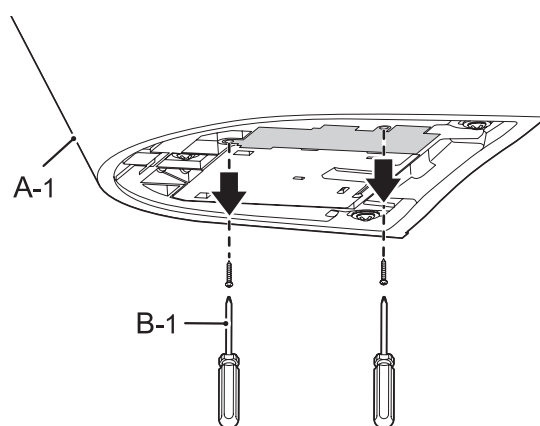
11

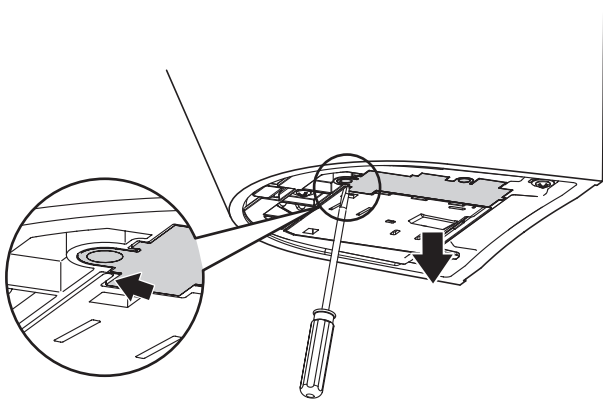
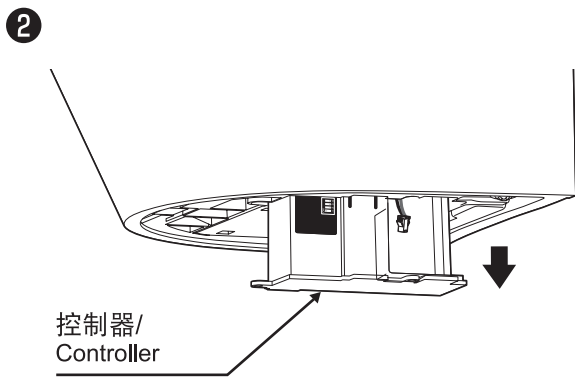
※仅限碱性干电池类/
*Alkaline battery type only

注意
CAUTION

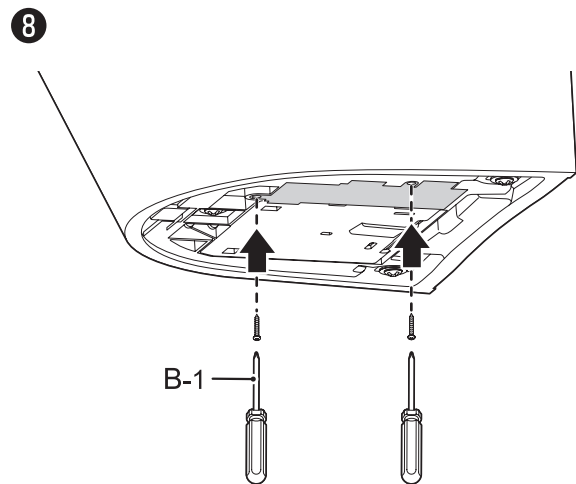
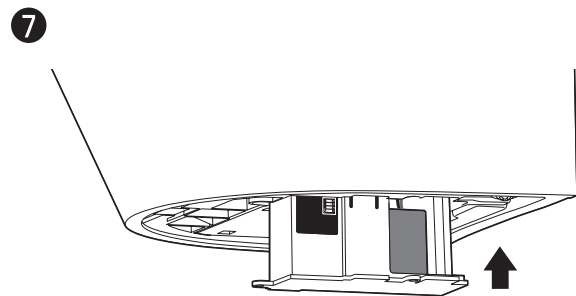
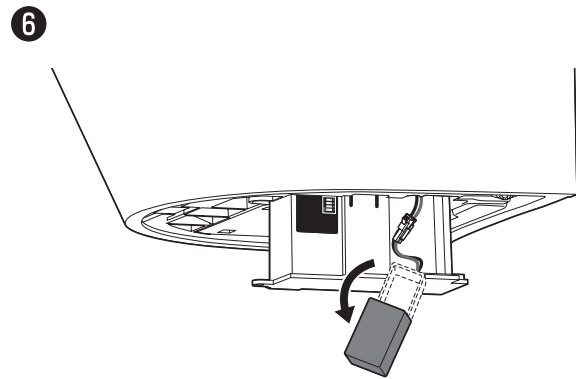
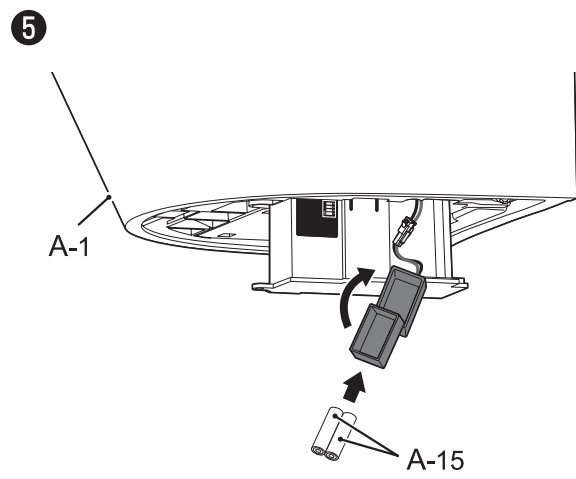
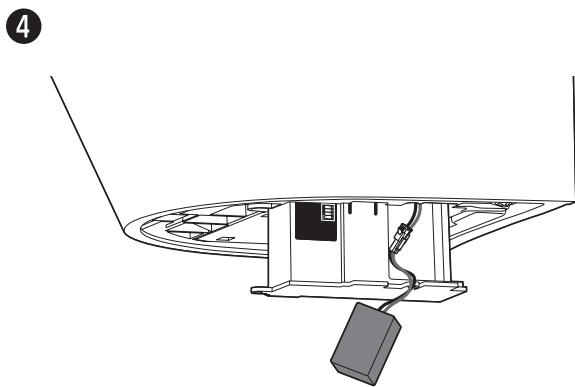
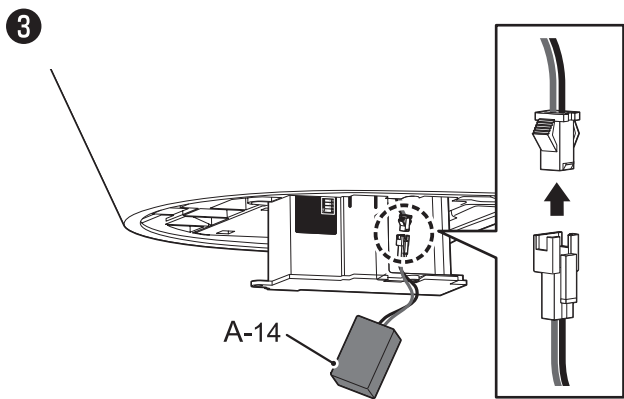
如果是碱性干电池类, 请在通水状态下装入碱性干电池。 /
For the alkaline battery type, install the alkaline battery when water is being supplied.



①





控制器无法降下时，请使用平头螺丝刀将其拆下/
If the controller does not slide out on its own, use a
flat-head screwdriver to lower it.



ZH 警告	
 禁止	<ul style="list-style-type: none"> ● 请勿拉扯电池盒外的电线，否则容易造成断线和接头松动等情况，引起故障或者触电。
EN WARNING	
 Prohibited	<ul style="list-style-type: none"> ● Do not pull the battery box electric wires. Doing so may disconnect the wires or terminals, or cause a malfunction or electrical shock.

12

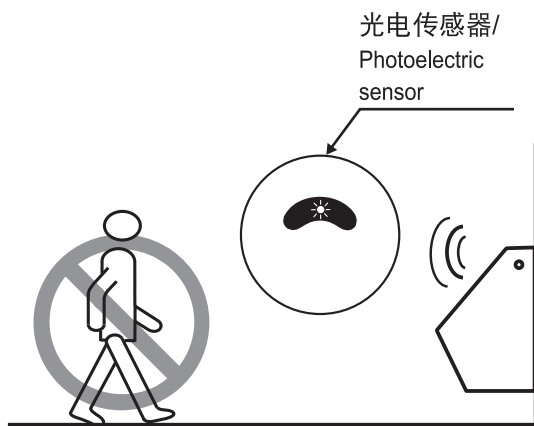
试运行/
Test run

注意
CAUTION 如果是AC型，请务必在通水状态下接通电源。/
For AC type, be sure to turn the power on with water being supplied.

如接通电源，光电传感器就会自动调节感应距离。
※接通电源后，光电传感器将启动自动调节感应距离的功能，但如果光电传感器灯因人体之外的感应而持续闪烁或亮灯※¹，表示正在调节感应距离。请注意在指示灯熄灭前不要出现人体感应。/

The detection distance of the photoelectric sensor is automatically adjusted when the power is turned on.
* The photoelectric sensor's automatic detection distance adjustment function operates soon after power is activated. If the photoelectric sensor lamp continues to flash or stay lit*¹ when the unit detects something other than a human, this means that the detection distance is currently being adjusted. Be careful that the sensor is not triggered by a human before the lamp turns off.

※如果在指示灯闪烁或亮灯中※¹出现人体感应，调节所需的时间会延长。如指示灯熄灭，表示调节已完成。/
* If a human is detected when the lamp is flashing or lit*¹, it will take longer to adjust the detection distance. Adjustment is complete when the lamp turns off.



※¹ 碱性干电池型：闪烁、AC型：亮灯/
*¹ Alkaline battery type flashes; AC type stays lit

13

在无人感应的状态下，确认光电传感器的指示灯熄灭以后，使其进行感知后确认便器清洗动作。

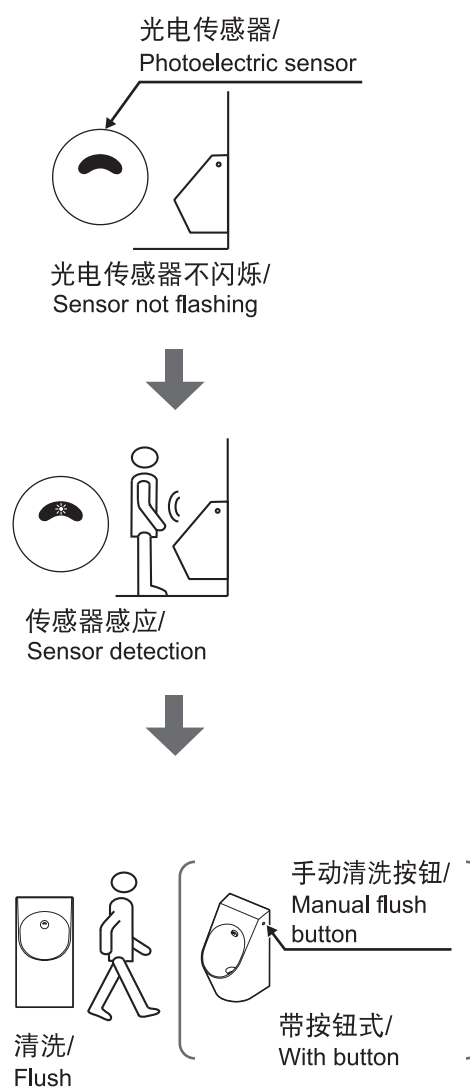
※确认便器的清洗时，如果有水飞溅到便器外部，请拧紧止水塞等进行调节。

※通电后立即自动进行便器清洗。通电自动清洗后，请进行上述确认步骤。/

Confirm that the photoelectric sensor's lamp turns off when no human is detected. Trigger the photoelectric sensor and confirm that the urinal flushes.

* If water splashes outside the urinal when confirming that it flushes, tighten the shutoff valve or otherwise adjust the unit.

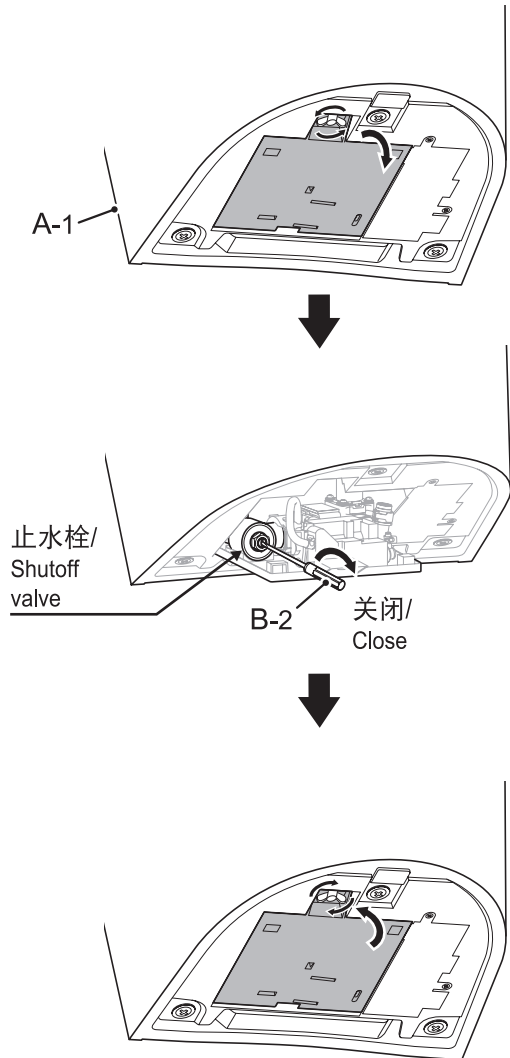
* The urinal will automatically flush immediately after electric current is applied. Confirm the above once automatic flushing is complete immediately after electric current is applied.



14

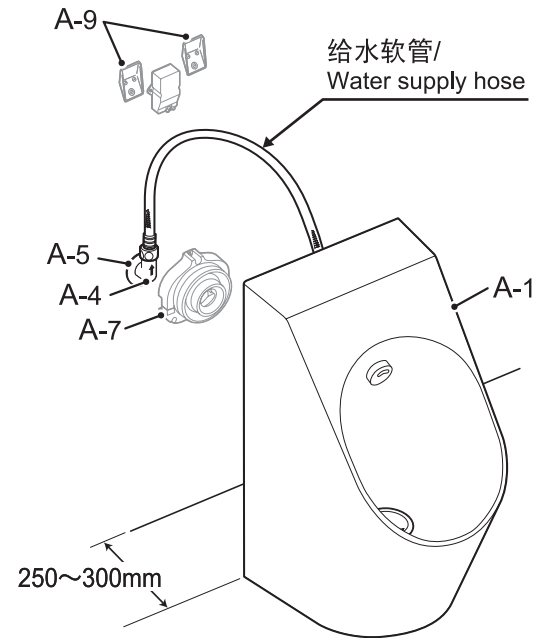
确认给水部是否有漏水。 /
Confirm there are no water leaks in the water supply part.

①

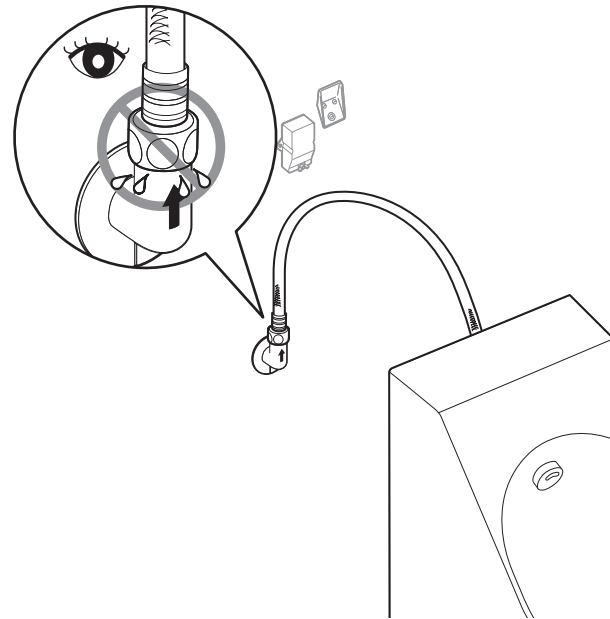


②

拆下小便器 (A-1) /
Remove the urinal (A-1)



③



ZH

⚠ 注意



必须实行

- 确认给水部是否有漏水
如安装不到位, 就有可能漏水,
造成财产损失, 如淋湿家具等。

EN

⚠ CAUTION

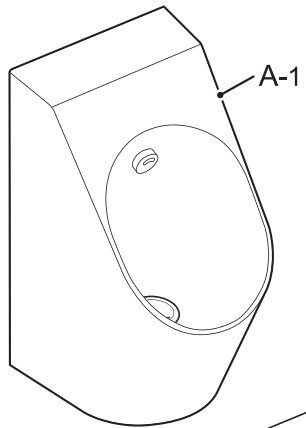


Required

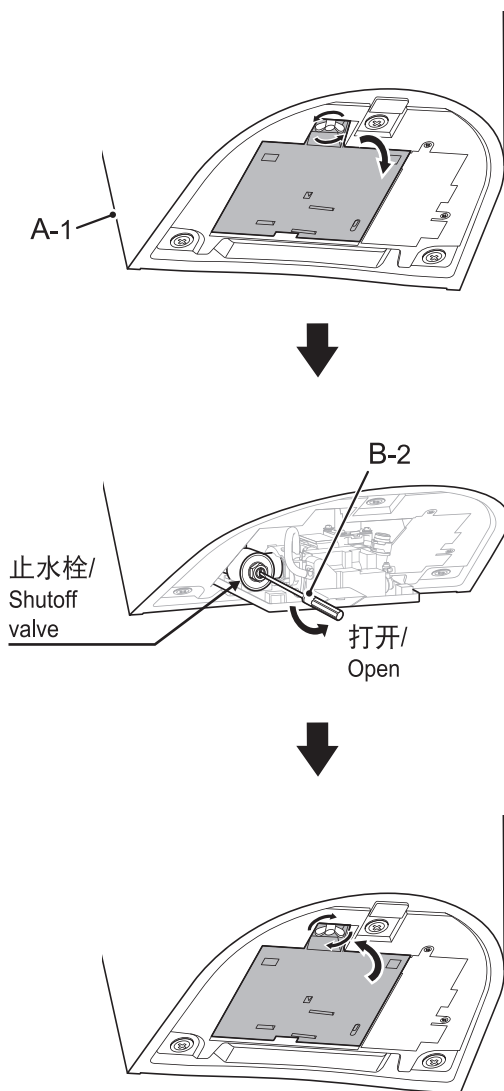
- **Confirm there are no water leaks in the water supply part**
Not installing the product properly may cause water leaks that could result in flooding damage to property, such as household belongings.

4

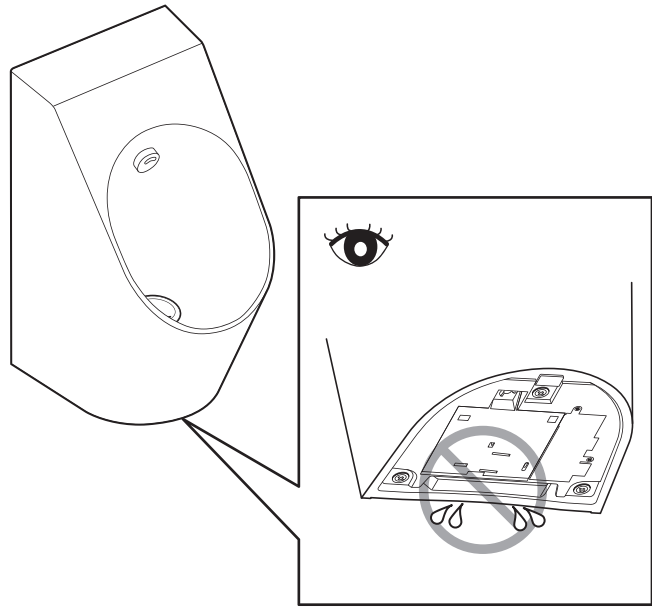
安装小便器 (A-1) /
Install the urinal (A-1)



5



15



ZH

⚠ 注意



必须实行

- 确认供水部分、排水连接部分是否漏水
如安装不到位，就有可能漏水，造成财产损失，如淋湿家具等。

EN

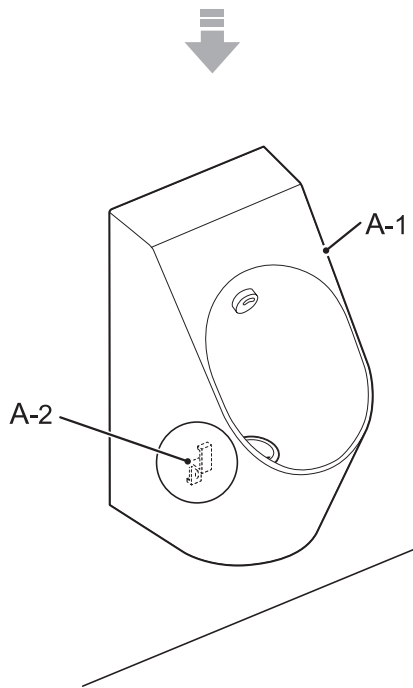
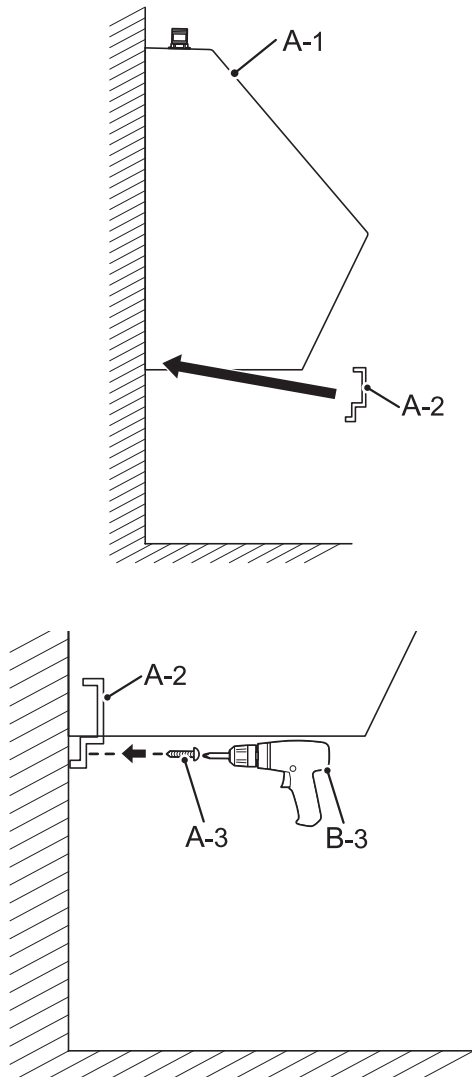
⚠ CAUTION



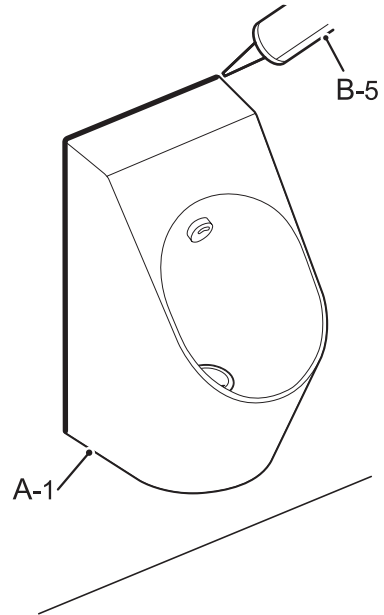
Required

- **Confirm there are no water leaks in the water supply or drainage connection parts**
Not installing the product properly may cause water leaks that could result in flooding damage to property, such as household belongings.

16



17



ZH

⚠ 注意



禁止

- 请务必填充硅系列密封材 (Mediseal) 否则有可能会引起故障。

EN

⚠ CAUTION



Prohibited

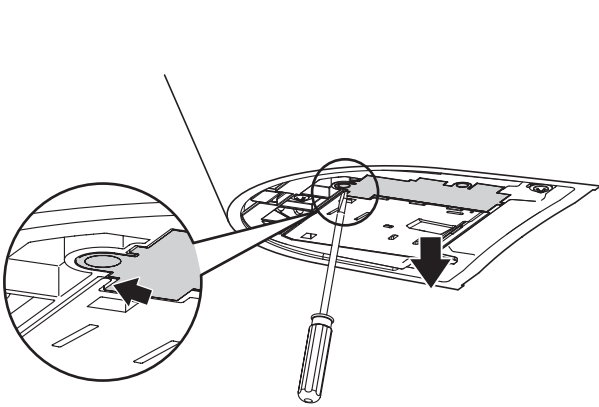
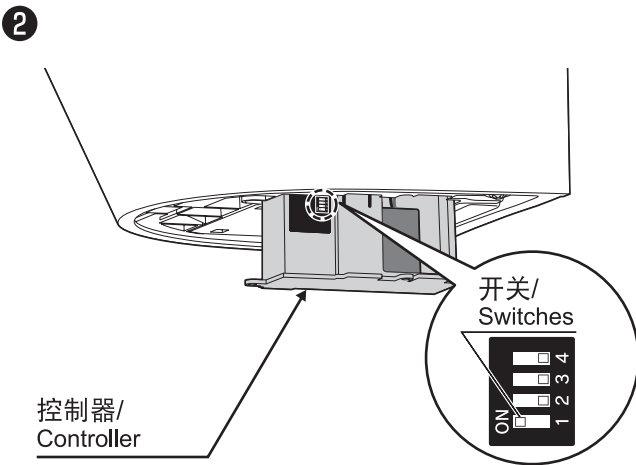
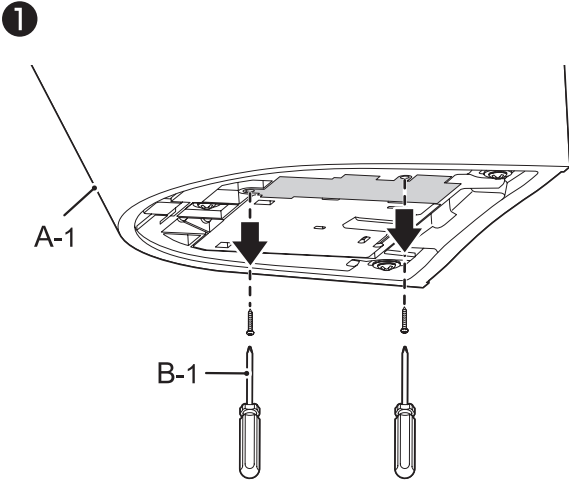
- Be sure to fill with silicone-based seal material (Mediseal) Failure to do so may cause a malfunction.

18

设定前冲洗（请根据需要进行切换。） /
Configure pre-flush (Change the setting as required.)

※前冲洗开关在出厂时设定为“关”。 /

* The pre-flush switch is set to "OFF" by default.



控制器无法降下时，请使用平头螺丝刀将其拆下 /
If the controller does not slide out on its own, use a flat-head screwdriver to lower it.

