



## Features

- Hands-free usage increases hygiene
- Sensor positioned underneath the spout head for more accurate user detection
- WATER SAVING
- ECO CAP Technology: TOTO aerated bubble technology adds air to the water to achieve full water jet

## Specifications

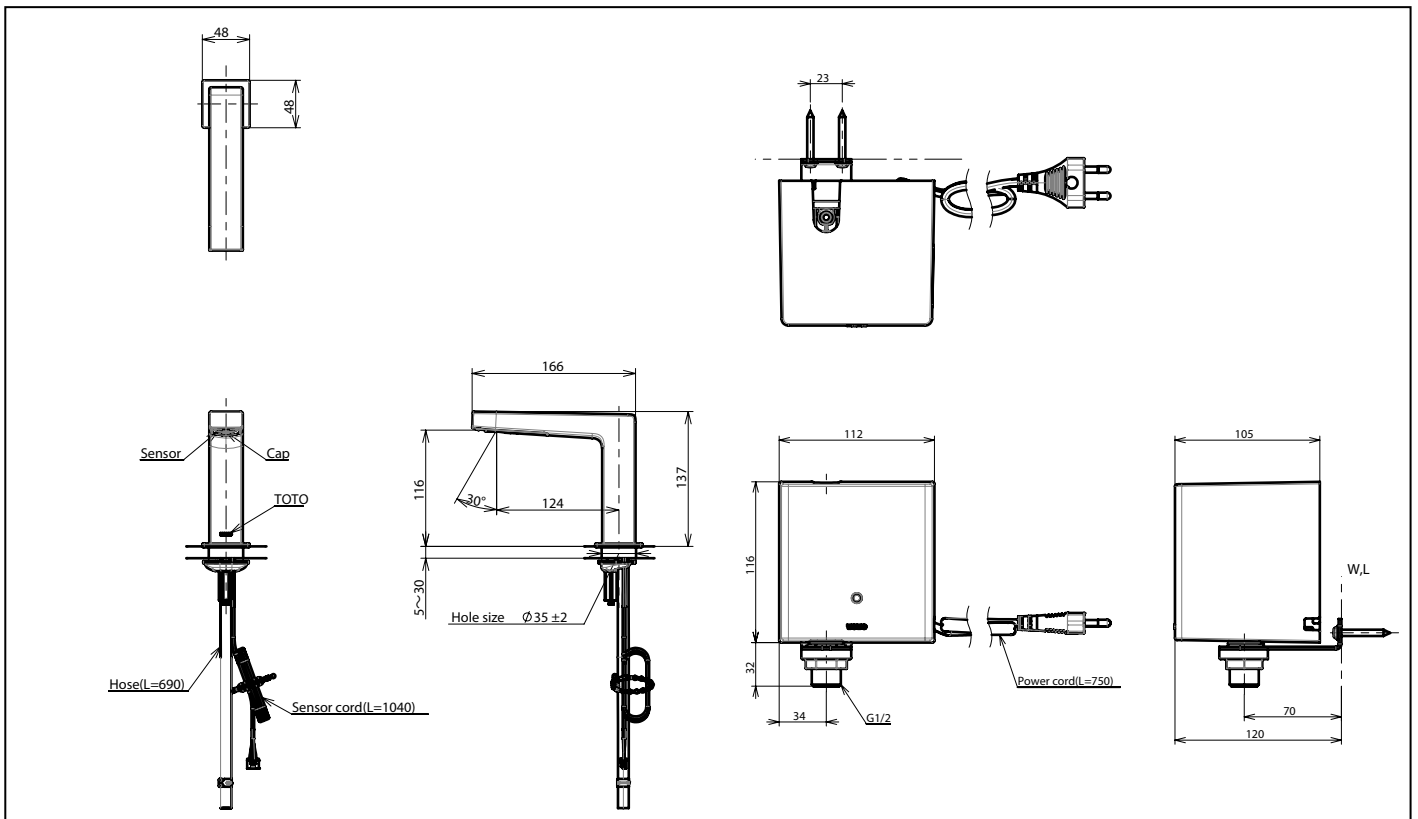
Flow Rate: 1.3L/min  
 Water Pressure: 0.05MPa ~ 0.75MPa  
 Finish: Nickel Chrome

## Parts description

- TLE25001T-AC  
 AUTO FAUCET (AC220~240V)  
 1. TLE25001 (Deck-mounted)  
 2. TLE01502 (AC Operated Controller)



reddot winner 2021



*Remarks: Please result TOTO sales representative for detail.*