

TOTO

BATHTUB

Enameled Cast Iron Bathtub

FBY1760CHP



Features

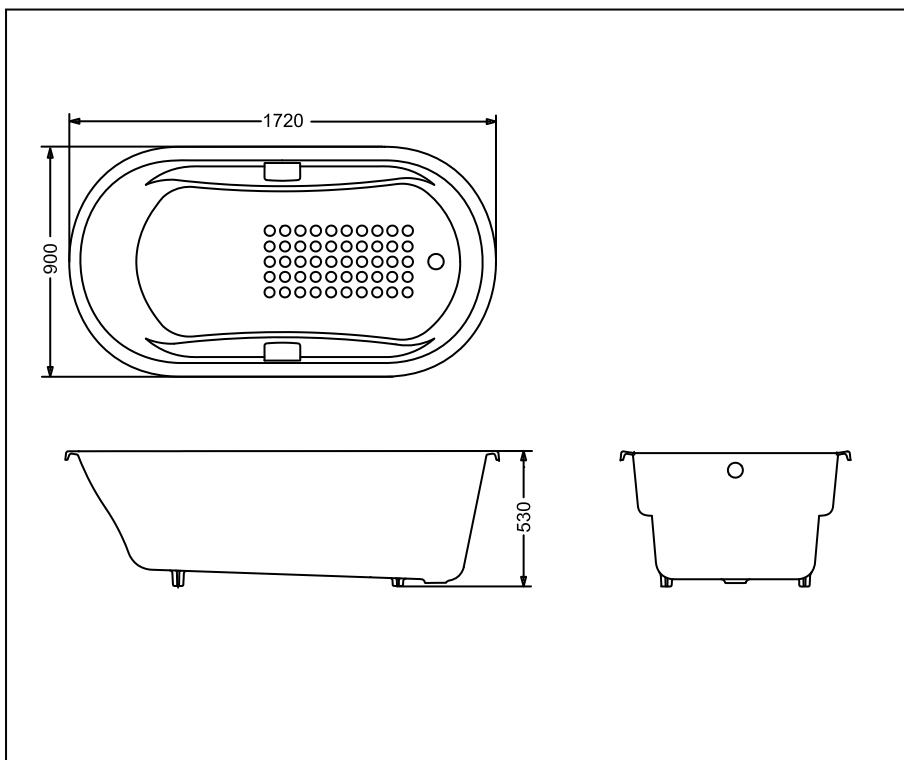
- Cast iron material, solid and durable
- Solid and level glaze with good resistance to acid and alkalinity.
- Anti-skid bottom design, considerate and careful
- Metal-made grab bar of bathtub, secure and firm.

Specifications

Size : 1720W x 900D x 530H mm

Actual Capacity : 245L

**Waste Fittings Excluded*



Colors

White

Please consult a TOTO representative for details

TOTO (THAILAND) CO.,LTD
Bangkok Office : G Tower Grand Rama 9,12th Floor, South Wing, 9 Rama IX Road, Huaykwang Sub-district, Huaykwang District, Bangkok. 10310 Thailand
Tel : +(66)2-117-9520(AUTO) Fax : +(66)2-117-9527
th.toto.com

All rights reserved by TOTO company. Specifications and size are subject to change without notice.