



## Features

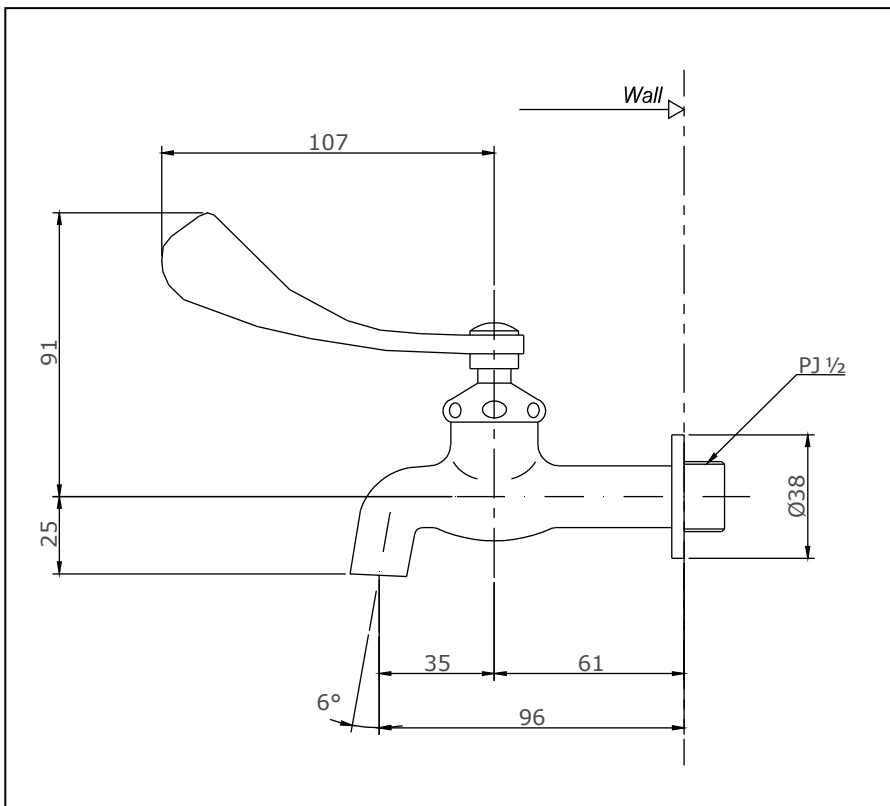
- Durable finishes
- Brass valve bodies

## Specifications

Water Pressure	: 0.05MPa - 0.75MPa
Material	: Brass
Finish	: Nickel Chrome

## Parts description

- **T23BQ13N**  
Lever Handle Sink Tap



Please consult a TOTO representative for details