

ZL Series
Single Lever Shower Mixer
with MINI UNIT



Features

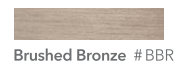
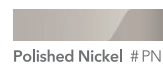
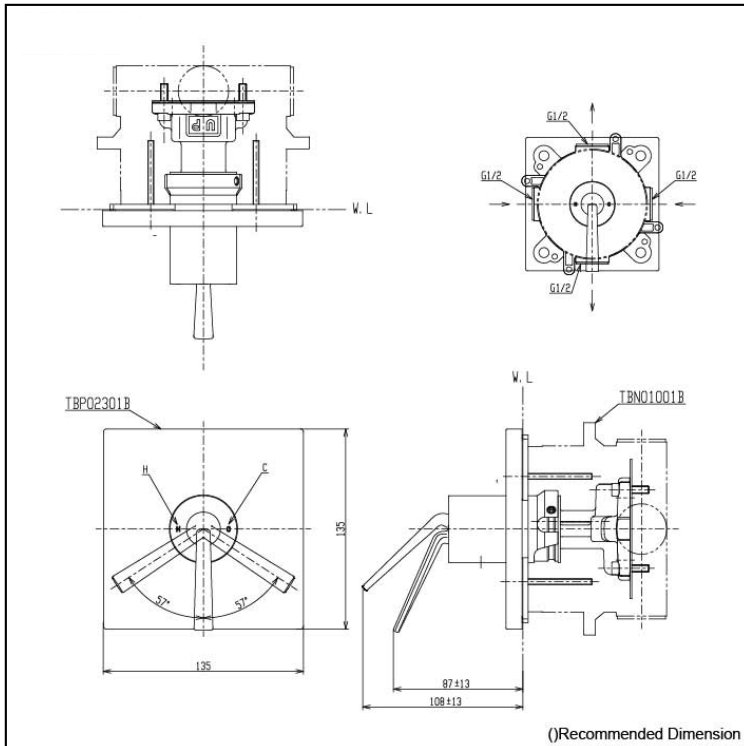
- Design Concept is Gorgeous and Organic

Specifications

Finish:	Chrome
Material:	Brass
Water Pressure:	0.05MPa ~ 1.0MPa

Parts description

- TBP02301T
Single Lever Shower Mixer
- TBN01001T
MINI UNIT
Concealed Box



Please consult a TOTO representative for details