

TOTO

WH004可调挂厕支架说明书

WH004 Adjustable Hanging Toilet Bracket Manual

重要提示:

1. 安装前请仔细阅读说明书, 本公司不承担因安装人员未按说明书要求施工所造成的损失。
2. 在支架安装前, 应先确认安装位置, 再根据室内装修的总体策划确定装修完成后的地坪面FFL, 然后在安装墙上划出FFL线, 并始终以此作为高度0的基准线。同时请确认所安装墙壁是承重墙, 墙壁厚度在80mm以上, 且当300kgf以上的力施加于完工后的马桶前端时, 墙壁能承受这股拉力。
3. 用户自备进水管、排水管、堵头, 根据所安装的马桶进行选择相应的管径与长度。

Important remind:

1. Please read this Instruction carefully before you start to install the hanging toilet bracket .Please note we will not be responsible for any loss that caused by the installation which is not in conformity with this instructions.
2. Please confirm the FFL according to the overall indoor fitment method. Line out the FFL on the wall and always regard FFL as datum line of 0 height. Please confirm the wall is the main wall, the thickness exceed 80mm and it can bear more than 300kgf strength when the strength act on the front of the toilet bowl.
3. The user should prepare the inlet pipe, drain pipe, stopper by user's ownself. Please note to choose the corresponding pipe diameter and length according to the toilet.

注: 1. 请在贴瓷砖以前安装。
本产品所有的尺寸单位为毫米。

! FFL₀ = 完成面地坪

2. 图示零件若与实物不符, 请与实物为准。

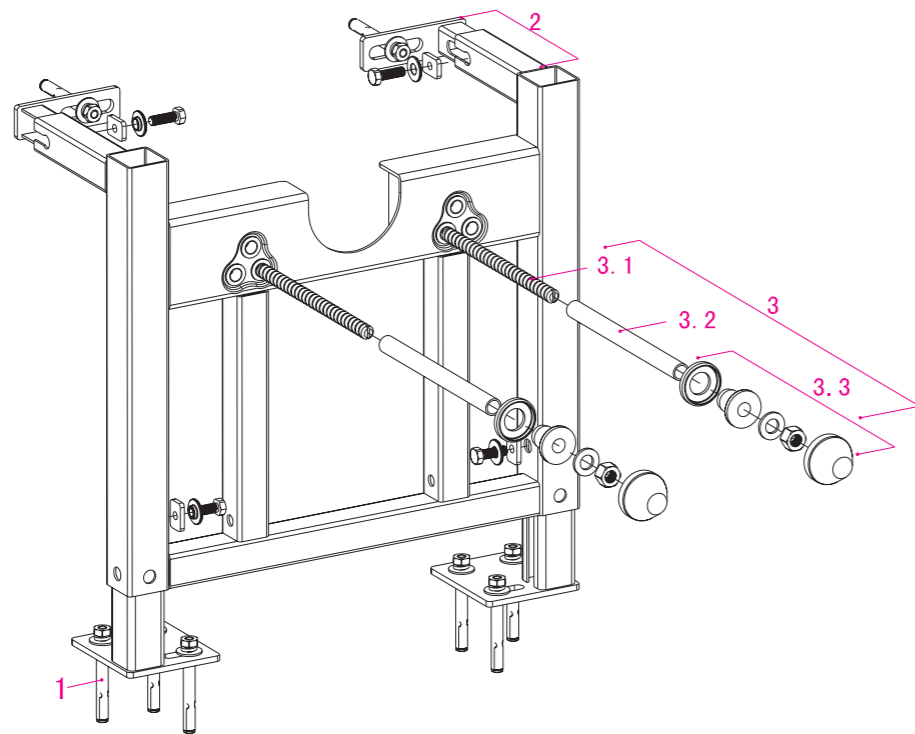
Note: 1. Please install the frame before paving the tiles. The dimensional unit is millimeter.

! FFL₀ = FFL of finish face.

2. Please subject to the object as right if it is not in conformity with the components in picture.

配件一览表

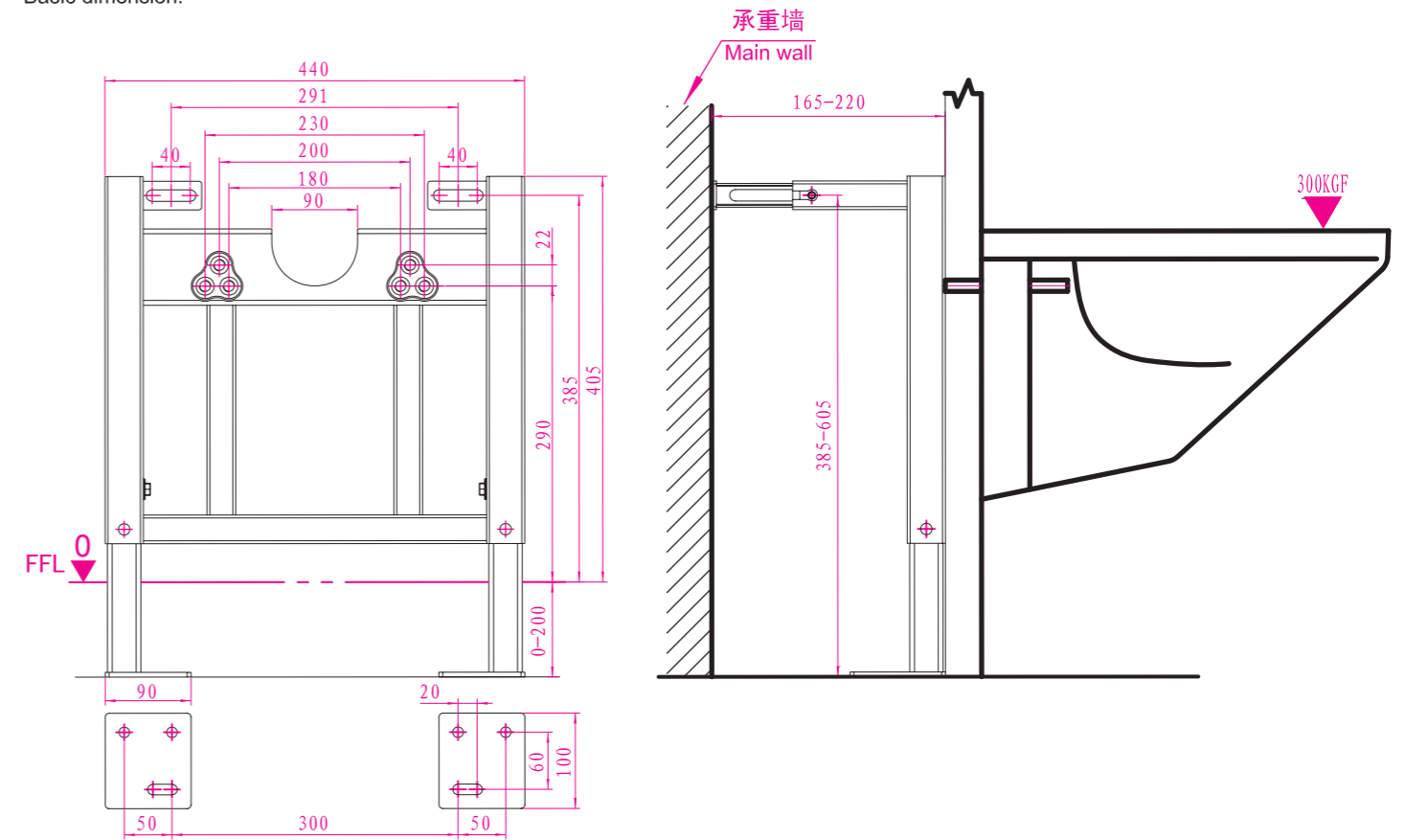
Accessories List:



NO.	名称 NAME	数量 QTY	用途 FUNCTION
1	膨胀螺栓组 Expansion bolt components	8	机架固定用 To fix frame
2	墙脚组装件 Assembly parts for wall retainer	2	用于机架与墙面距离调节及固定 To adjust and rivet the distance of wall and the cistern frame
3.1	长螺杆 Long bolt	2	固定便器用 To fix toilet bowl
3.2	透明杆套 Transparent long bolt shield	2	保护长螺杆用 To shield long bolt
3.3	固定便器零件组 Long bolt components	2	固定便器用 To fix toilet bowl

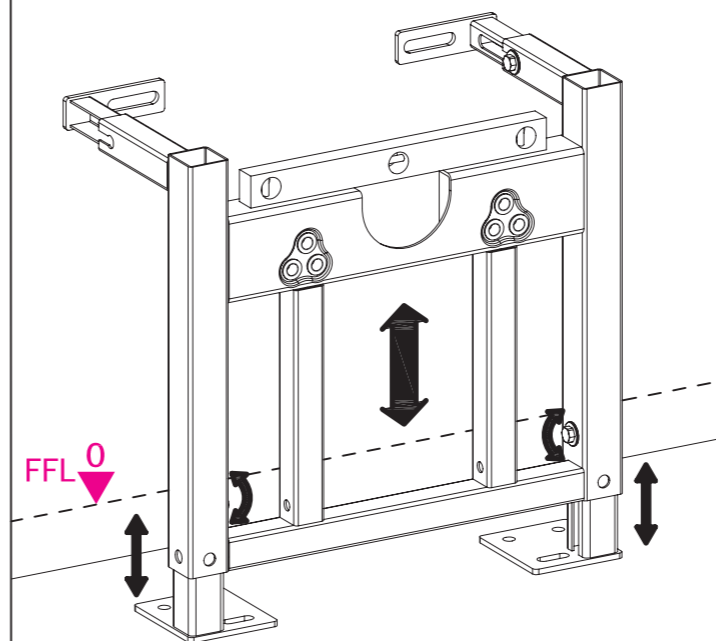
563204 10-1.0

一、基本尺寸。 Basic dimension.



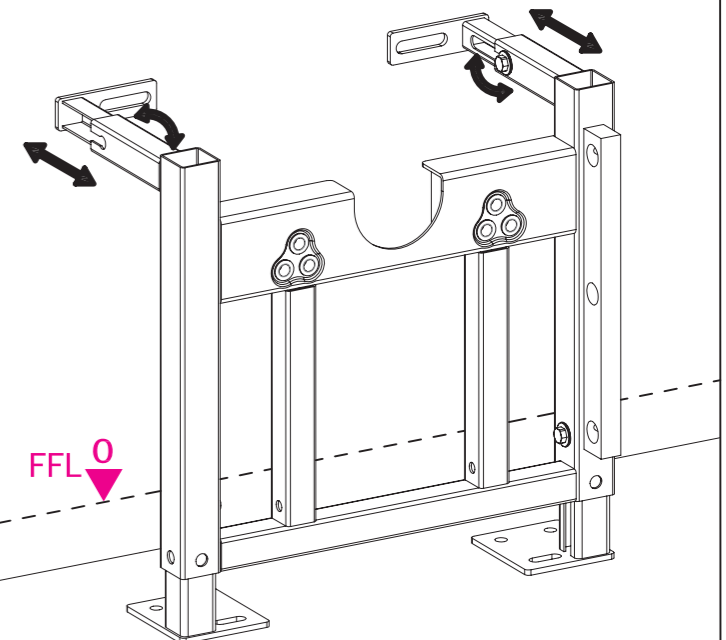
二、把支架靠墙放置在安装位置上, 适当旋松螺栓, 调整地脚滑动管长短至所需高度, 用水平仪保持支架水平, 调整后锁紧螺栓。

Place the frame against the wall in the required position. Loosen the height adjustment bolts, set to the required height, check the frame is level and retighten the bolts.

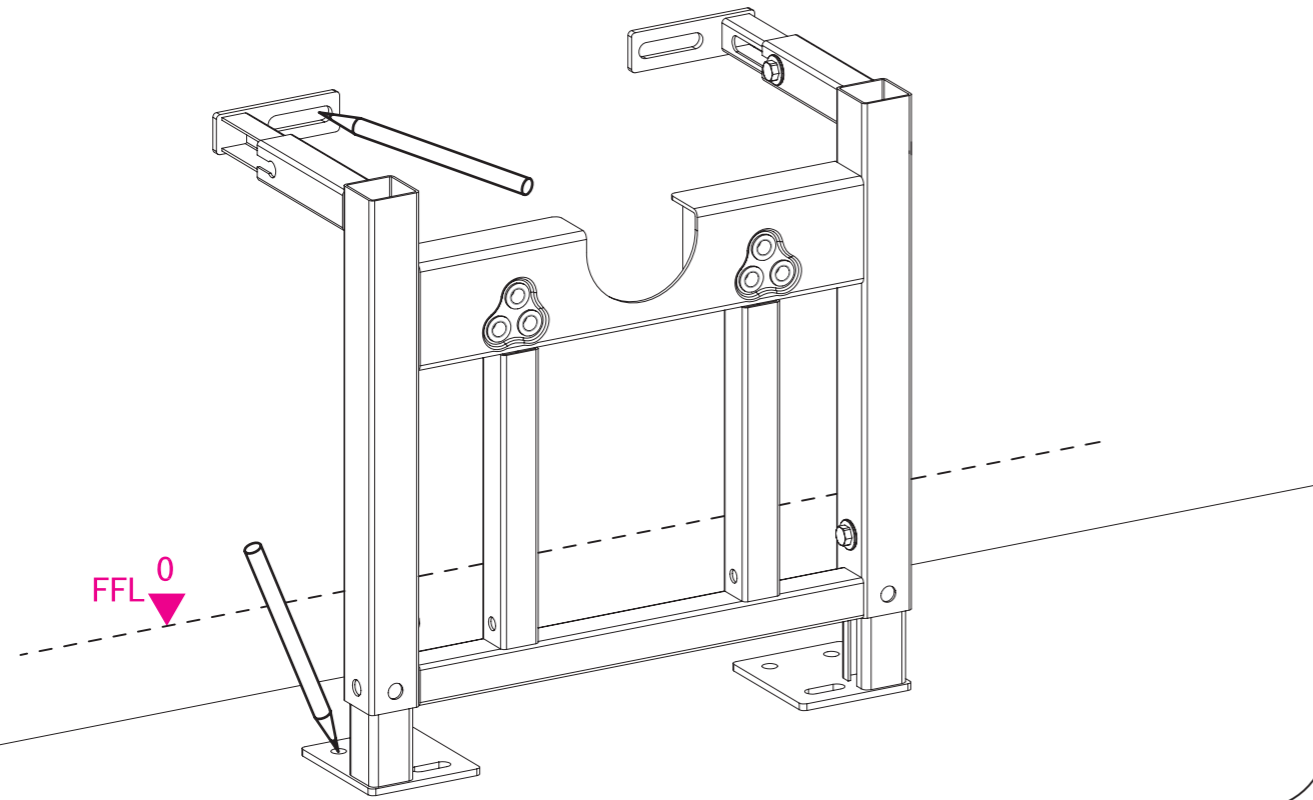


三、设定好支架到墙面的距离, 适当旋松螺栓, 调整墙脚滑动管至所需长度, 并用水平仪保持支架垂直, 最后旋紧螺栓。

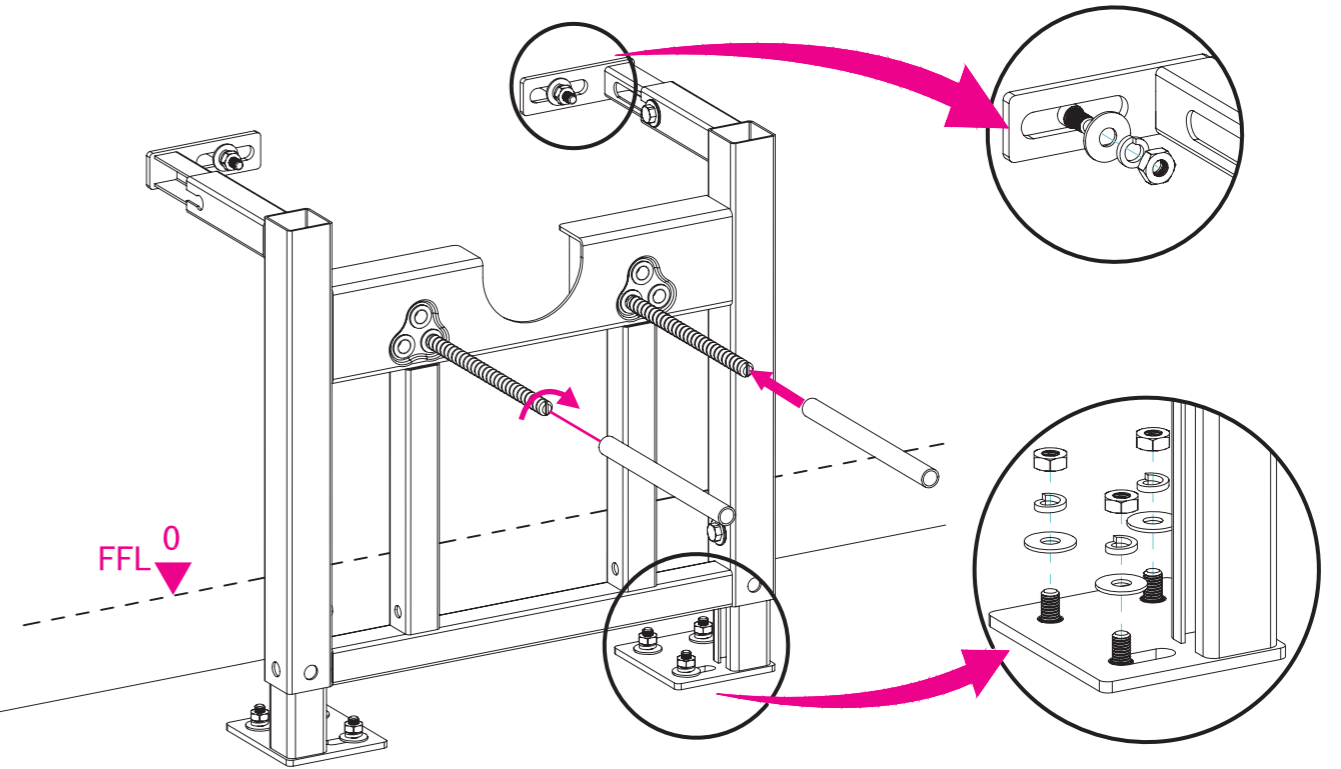
Set the required distance from the wall. Loosen the wall adjustment bolts, set to the required distance, check the frame is vertical and retighten the bolts.



四、在墙上和地上，用笔给调整好的支架固定孔，画上記号。然后移走支架，在記号上钻孔（φ10x深50）。
Mark the fixing positions on the wall and floor. Remove the frame and drill suitable holes (φ10x50) for the fixings.



六、将支架放回安装位置，锁牢墙脚和地脚，并确保其竖直与水平。根据实际需要，选择正确的孔位插入长螺杆并套上杆套。
Place the frame in the required position again, lock up wall baseboard and floor baseboard tightly. Check the frame is level in all directions. As needed, choose right holes to insert the long screw and then put the sheath.



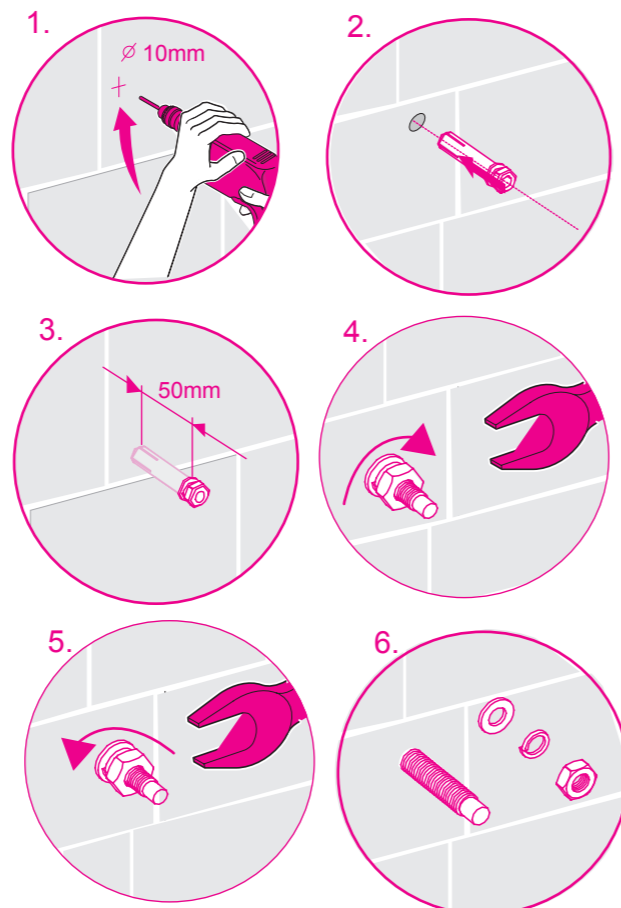
五、膨胀螺栓的使用方法。
Install Expansion Bolts.

步骤说明:

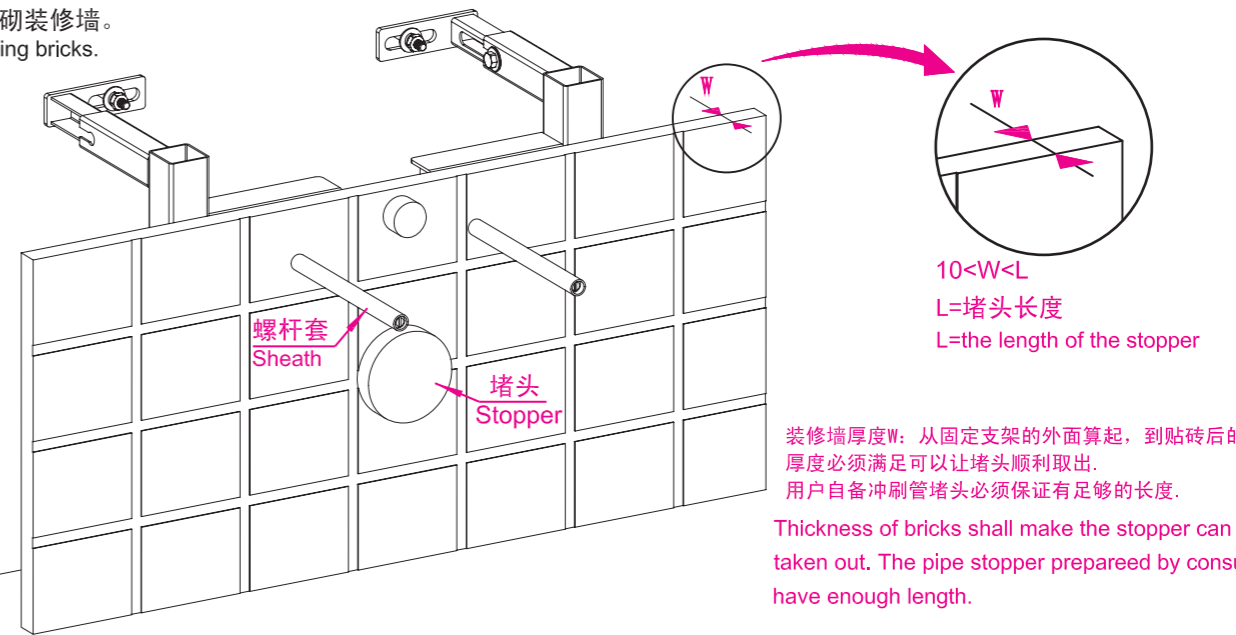
1. 钻孔 φ10x50;
2. 装入膨胀螺栓;
3. 拧紧螺母，以拉紧螺栓;
4. 旋开螺母;
5. 取走螺母、垫片，待用。

As shown on picture:

1. Drill φ10x50;
2. Insert expansion bolt;
3. Tighten nut to strain bolt;
4. Unscrew nut;
5. Hold nut and washer for later use.



七、砌筑修墙。
Laying bricks.



装修墙厚度W: 从固定支架的外面算起，到贴砖后的完成面；厚度必须满足可以让堵头顺利取出。
用户自备冲刷管堵头必须保证有足够的长度。

Thickness of bricks shall make the stopper can be easily taken out. The pipe stopper prepared by consumer must have enough length.

所有的资料是按出版时的最新产品资料编写的，本公司保留在任何时候不需通知便可更改产品的特征、包装或供应产品的权利。
All data contained is based upon the last product information available at the time of publication. We reserves the right to implement changes of product characteristics, packaging and availability at any time without further notice.

东陶（中国）有限公司 TOTO(CHINA)CO.,LTD.
售后服务全国免费电话 National free service telephone: 800-820-9787
手机用户 Cellphone: 400-820-9787