

GE Series
Wall Mounted Lavatory Faucet
(Short Spout)(Without Waste Fitting)

Features

- A beauty of traditional craft in characteristic sculptural form
- V-shaped edge extends up to the end of the spout generate multi sided reflections
- Easy Installation and Usage
- Long lasting, COMFORT GLIDE mechanism for a smooth operation

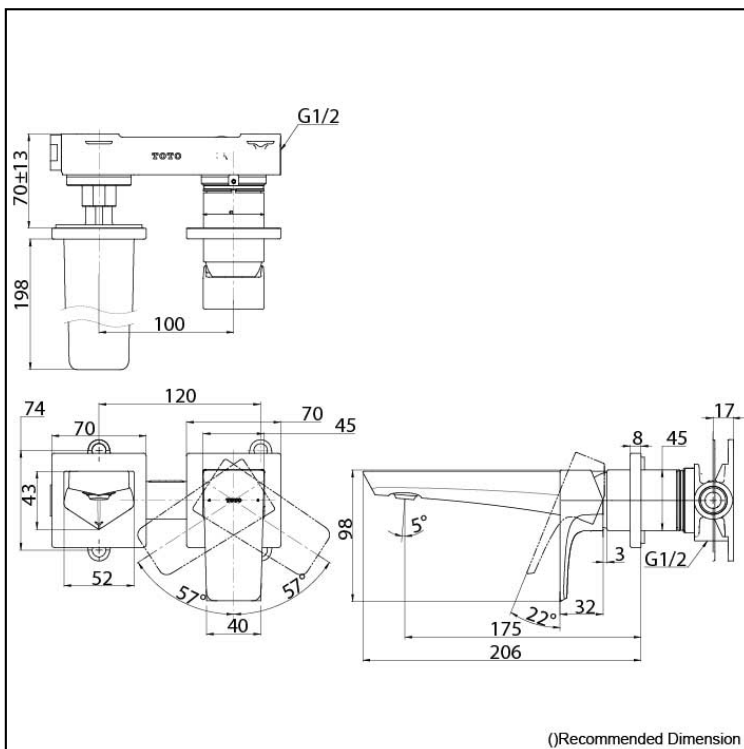


Specifications


Finish: Chrome
Material: Brass
Water Pressure: 0.05MPa~1.0MPa

Parts description

- TLG07307T
Wall Mounted Lavatory Faucet
(Short Spout) (without Waste Fitting)





Polished Chrome


Polished Nickel #PN


Polished French Gold #PFG


Polished Bronze #PBR


Brushed Nickel #BN


Brushed French Gold #BFG


Brushed Bronze #BBR

Please consult a TOTO representative for details