



Features

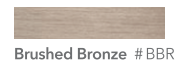
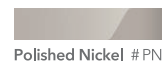
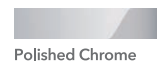
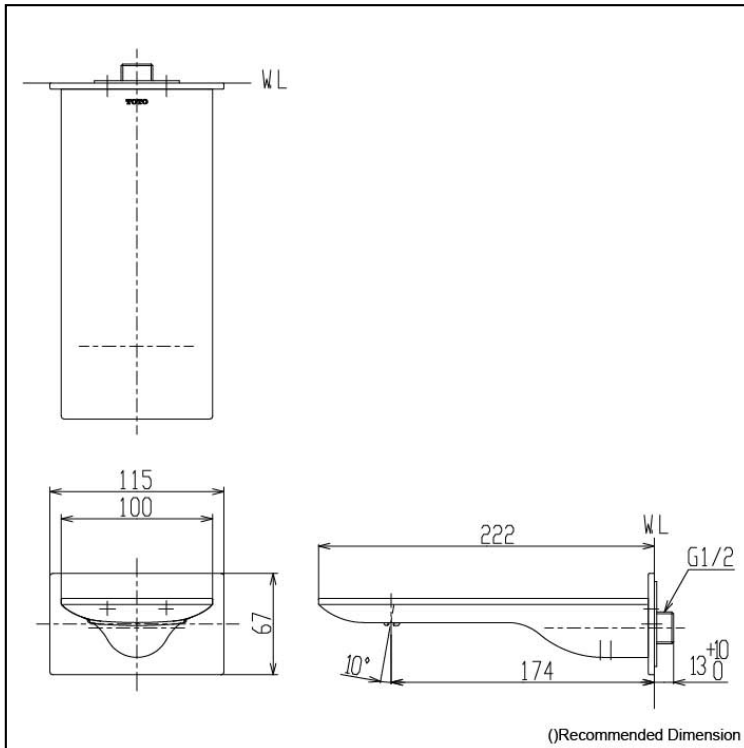
- Design Concept is Gorgeous and Organic

Specifications

Finish:	Chrome
Material:	Brass
Water Pressure:	0.05MPa ~ 1.0MPa

Parts description

- TBP02001T
Bath Spout



Please consult a TOTO representative for details