

## Features

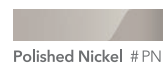
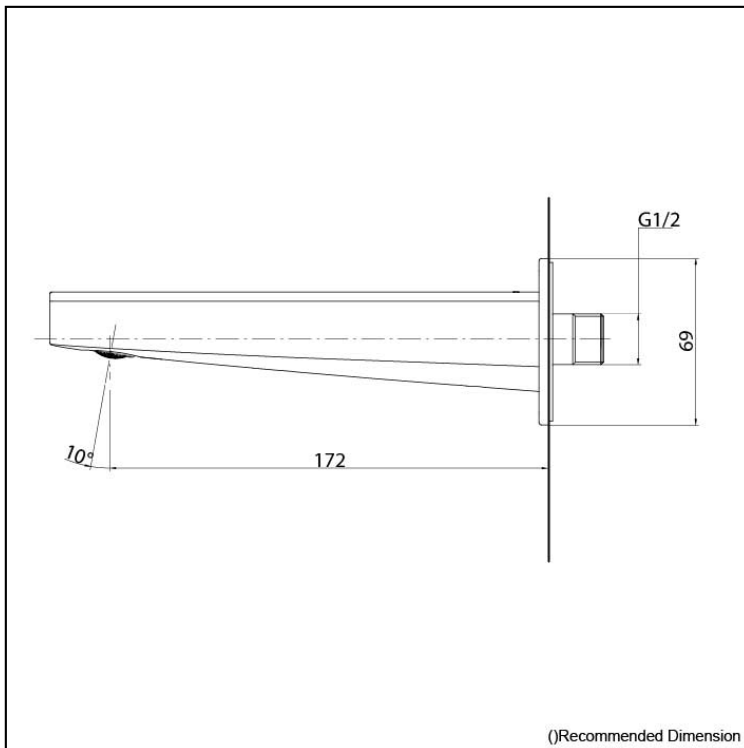
- Stately squareness and beveled edges imbue a space with dignity
- Gently beveled with balanced highlights accentuate the shape of the gradually narrowing spout
- High corrosion resistance plating
- Easy Installation and Usage

## Specifications

Finish:	Chrome
Material:	Brass
Water Pressure:	0.05MPa~1.0MPa

## Parts description

- TBG10001T  
Bath Spout



*Please consult a TOTO representative for details*