



Features

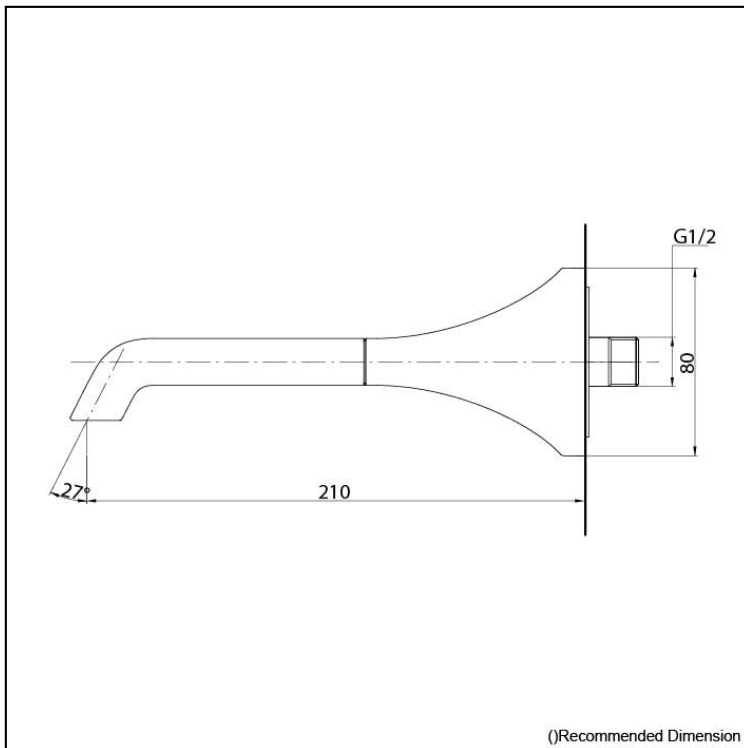
- Breadth and symbolism of classic design in a contemporary form
- Elegant design that stood the test of time while transitioning to a modern design that reflects the present day
- High corrosion resistance plating
- Easy Installation and Usage


Specifications

Finish: Chrome
Material: Brass
Water Pressure: 0.05MPa~1.0MPa

Parts description

- TBG08001T
Bath Spout



 Polished Chrome


 Polished Nickel #PN

 Brushed Nickel #BN

 Polished French Gold #PFG

 Brushed French Gold #BFG

 Polished Bronze #PBR

 Brushed Bronze #BBR

Please consult a TOTO representative for details