


# TOTO

## C885D, C885CD One piece Toilet



Install the product properly according to this installation manual for best performance. When the installation work is complete, give a detailed explanation of how to use this product to the customer.




### Safety Cautions (Observe these cautions for safety's sake.)

Read these "Safety Cautions" carefully before starting installation work. Install the product properly. This manual uses various indications to ensure a proper, safe installation and to prevent injury to the customer, injury to other people and damage to property. The symbols should be interpreted as follows.

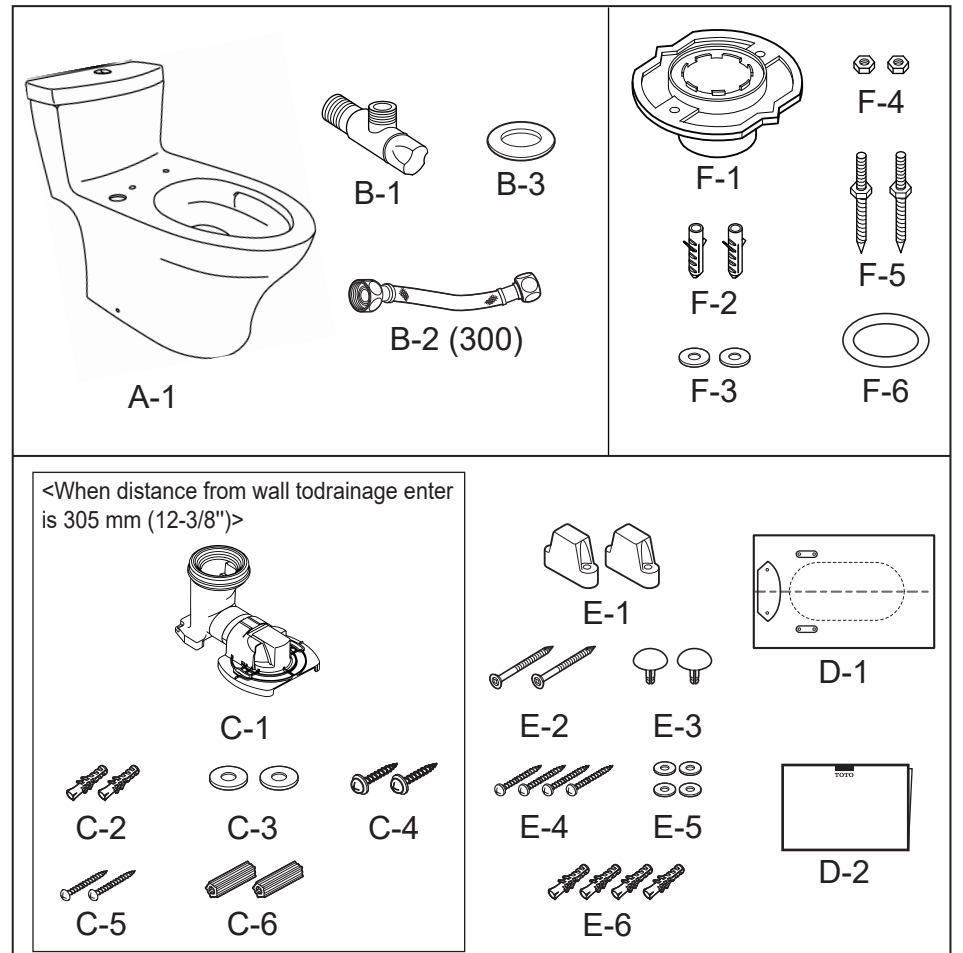
Symbol example	Meaning
 <b>Caution</b>	Improper use or installation of this product may result in injury or property damage.

Items to be observed are classified by type and explained with the following pictograms.

	<b>This symbol is used to indicate no tampering with this product.</b>		<b>This symbol is used to indicate a required step in the use of this product.</b>
---	--	---	--

 <b>Caution</b>	
	<b>Do not subject the toilet bowl to strong forces or impacts.</b> Otherwise, the toilet bowl may break causing injury or leaks that may damage property.
	<b>Do not excessively bend or twist the water supply hose.</b> Otherwise, the flexible water supply hose may break causing leaks that may damage property.
	<b>Do not remove the water supply filter with the water supply valve being open.</b> If the water supply valve is not closed, water may gush out causing leaks that may damage property.
	<b>Be sure to use the included or specified parts for installation work.</b> Otherwise, the product may not be installed properly.
<b>Carry out the installation work according to this installation manual.</b> Otherwise, damage caused by water leaks may occur.	

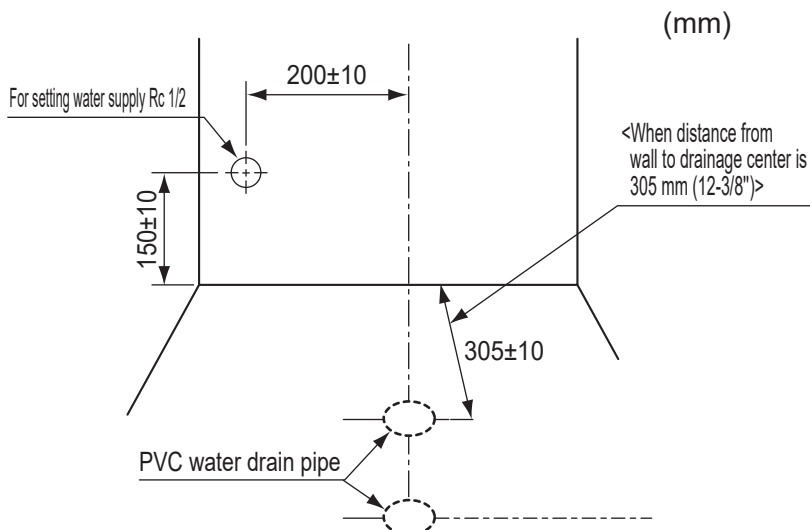
### Included parts



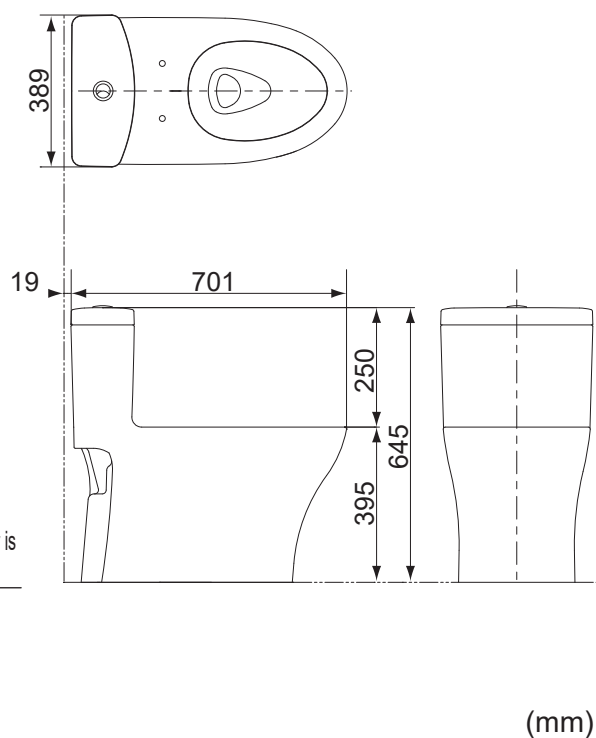
\*The product may be slightly different in shape than the product shown in the figure depending on the model.

### Precaution before installation

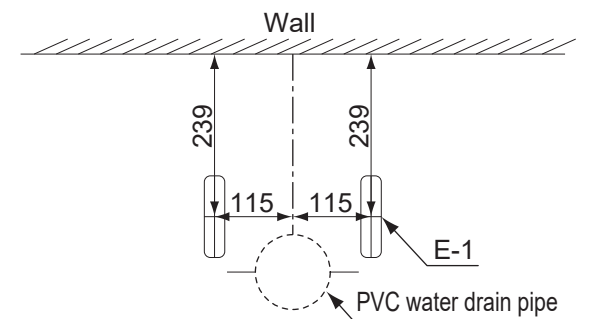
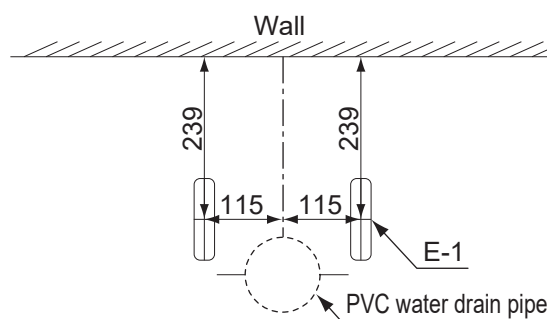
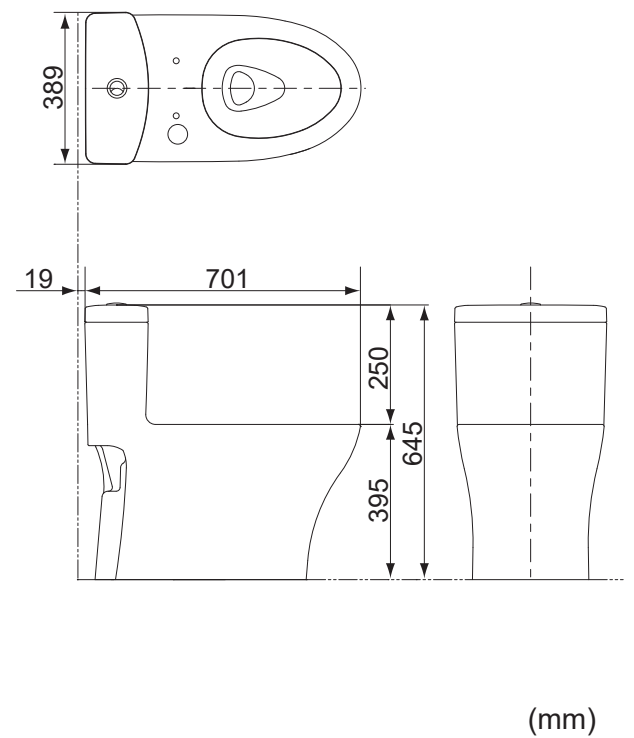
- Secure the space required for toilet installation and at the same time, check door opening/closing for possible interference.
- Turn on electricity and water supply to the product after completing all installation work.
- Use care not to damage the end of the connection hose.
- The minimum required water pressure (flowing) is 7PSI at 2.64 Gal/min (0.05MPa at 10 L/min) while the maximum water pressure (static) is 108PSI(0.75MPa).
- Make sure before installation that the water supply source and water drain pipe are in the specified positions according to the diagram.  
If it is not positioned properly, the product may not be able to be installed correctly.
- Please wash away the dust or sand in the water supply pipe completely before installing the water supply valve.
- If there is a gap between the discharge pipe and floor, fill it with mold-resistant silicone-based seal material (Mediseal).  
Doing otherwise may cause water to leak downstairs.



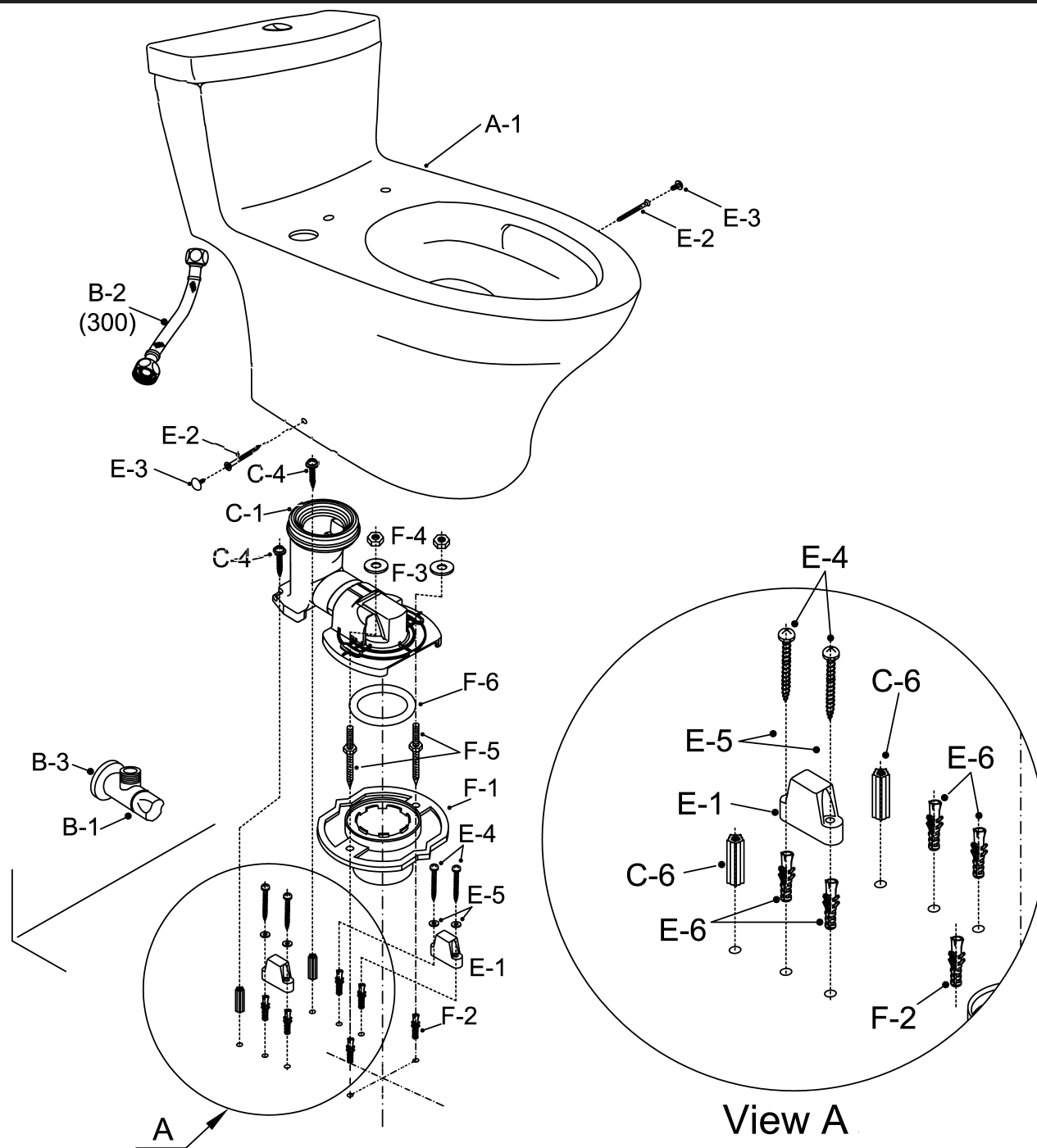
C885D Product Diagram



C885CD Product Diagram

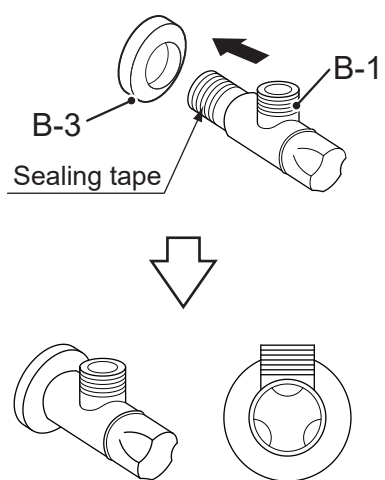


# Part diagram



# Installation procedure

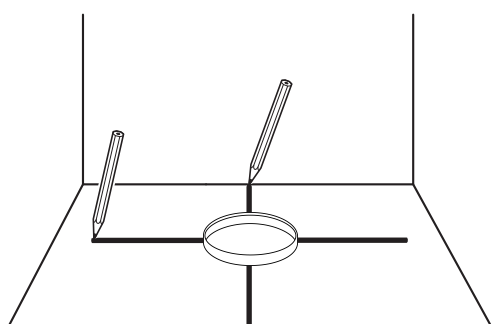
1



\*If there is a gap between the straight pipe and the floor, fill it with mold-resistant silicone-based seal material (Mediseal), and then attach a cover(B-2).

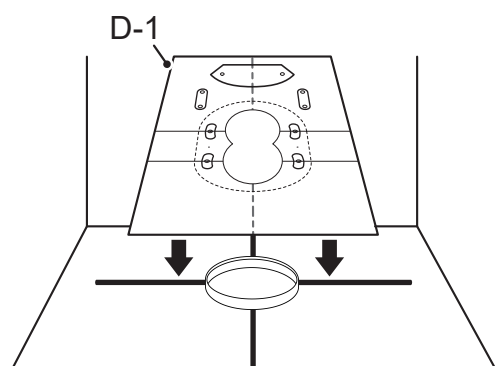
2

Watch the template for detail.

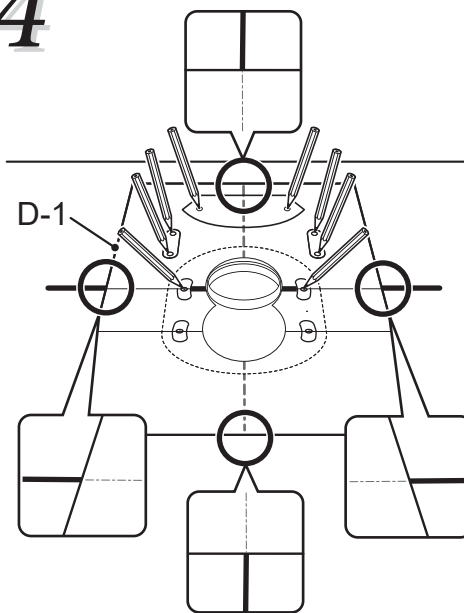


3

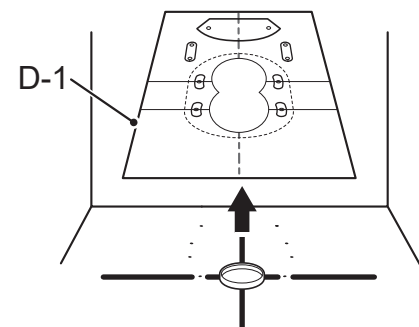
Place the positioning sheet aligned with the discharge center



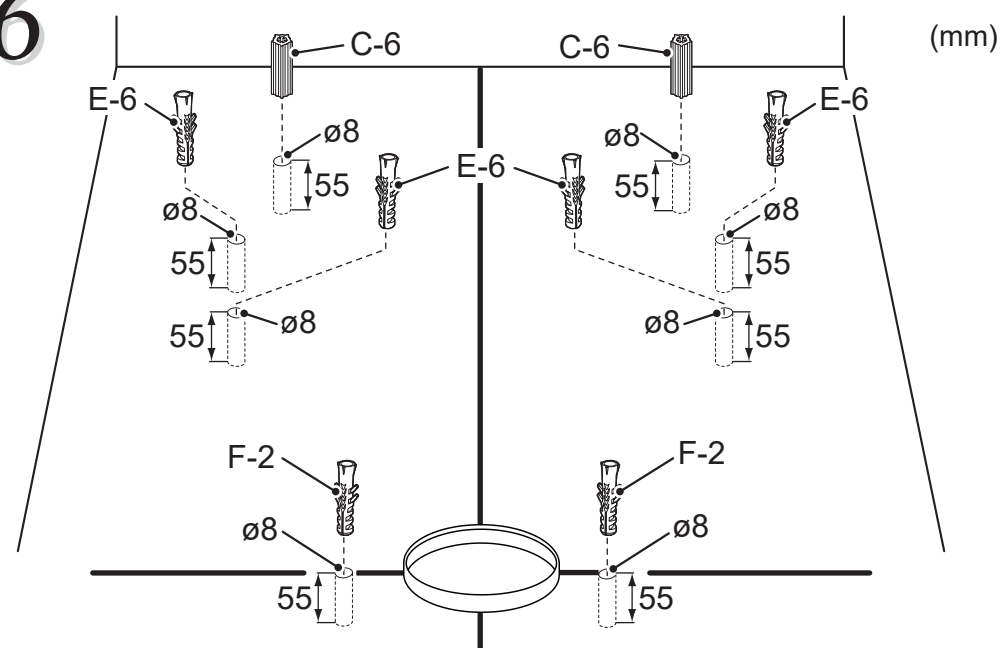
4



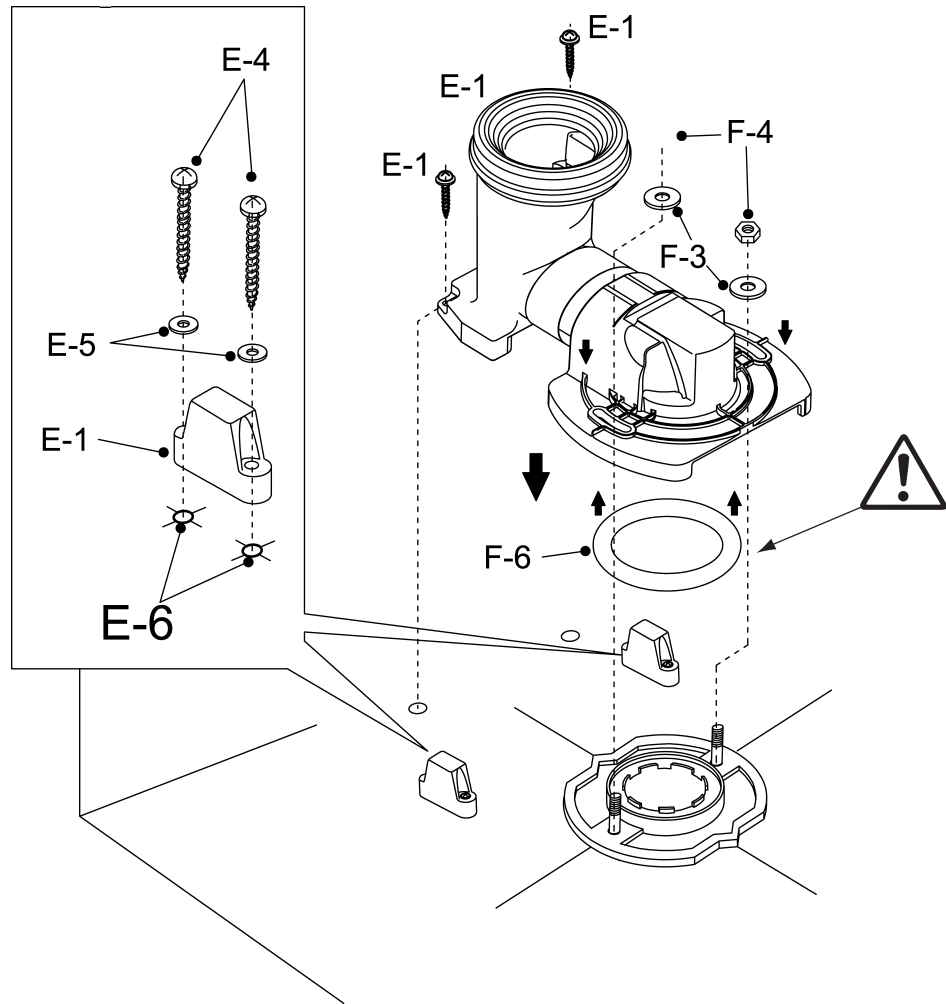
5



6



7



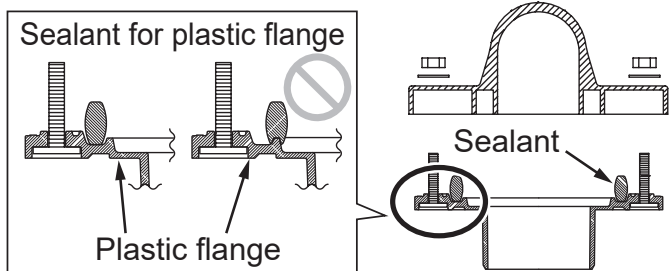
**Caution**

**Caution in handling of the Sealant**

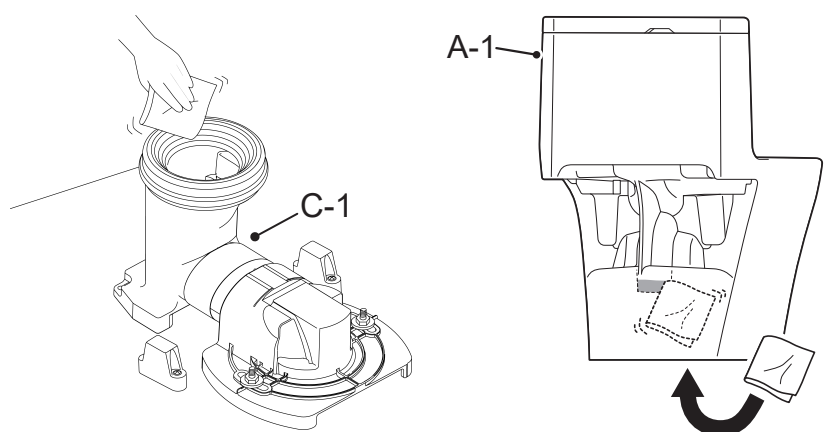
Misinstallation of sealant may cause inadequate flushing or clogging of the bowl unit, resulting in water damage and damage to the assets.  
(For plastic flange)



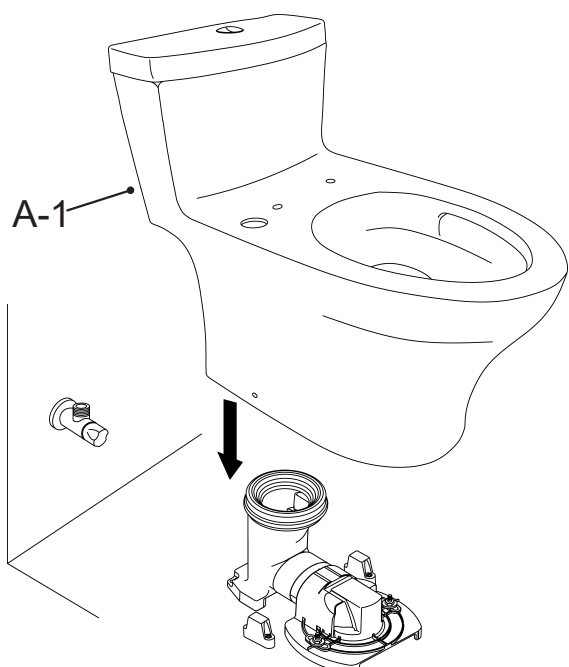
Required



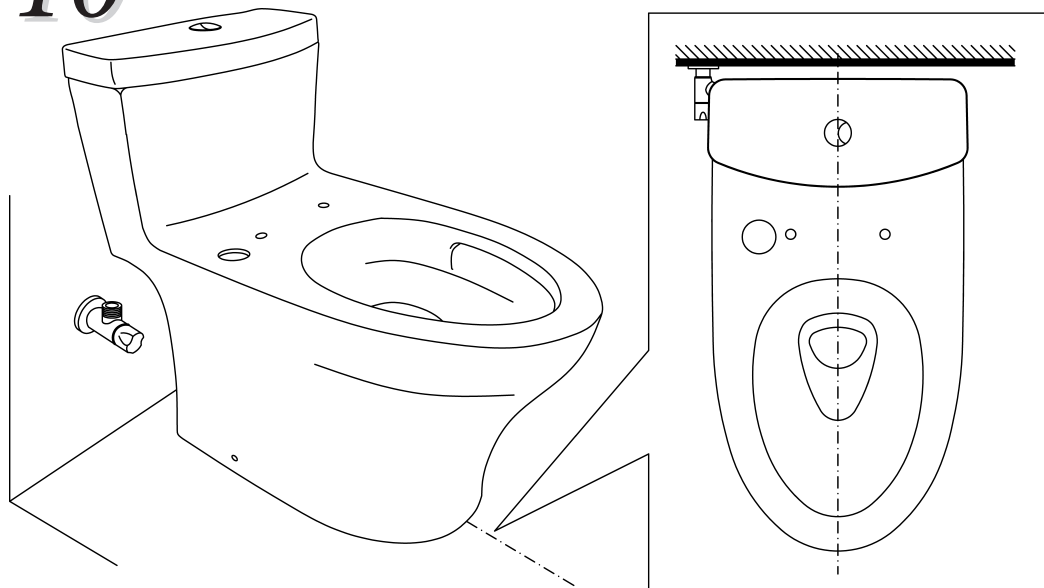
8



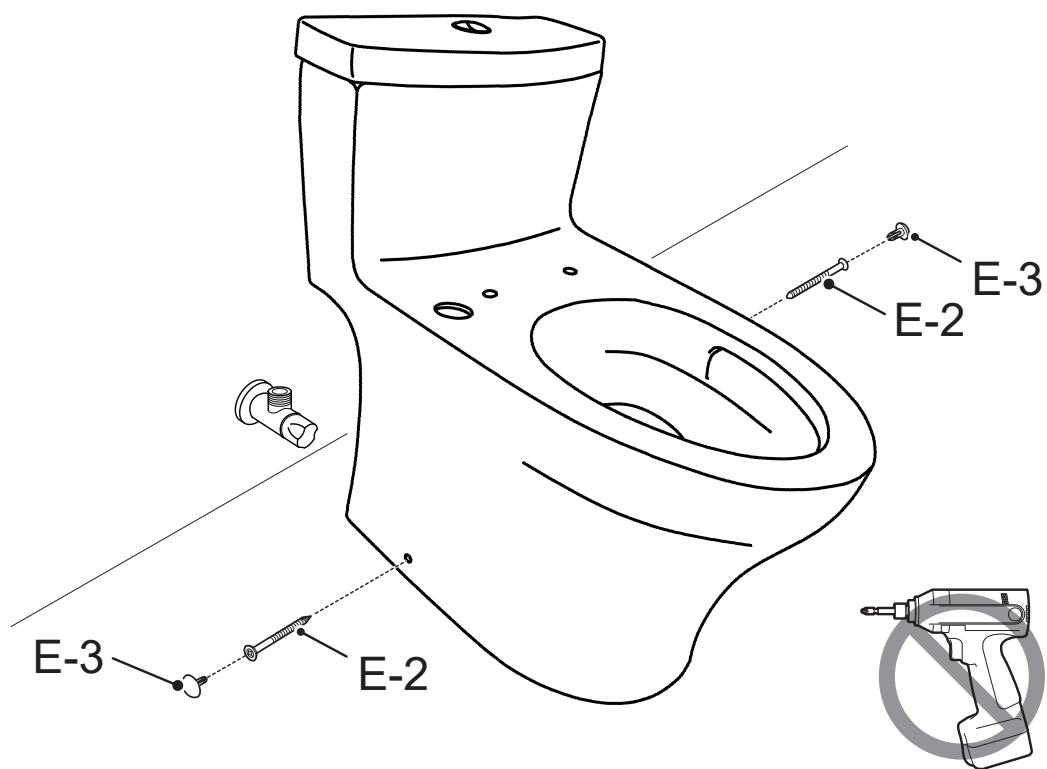
9



10

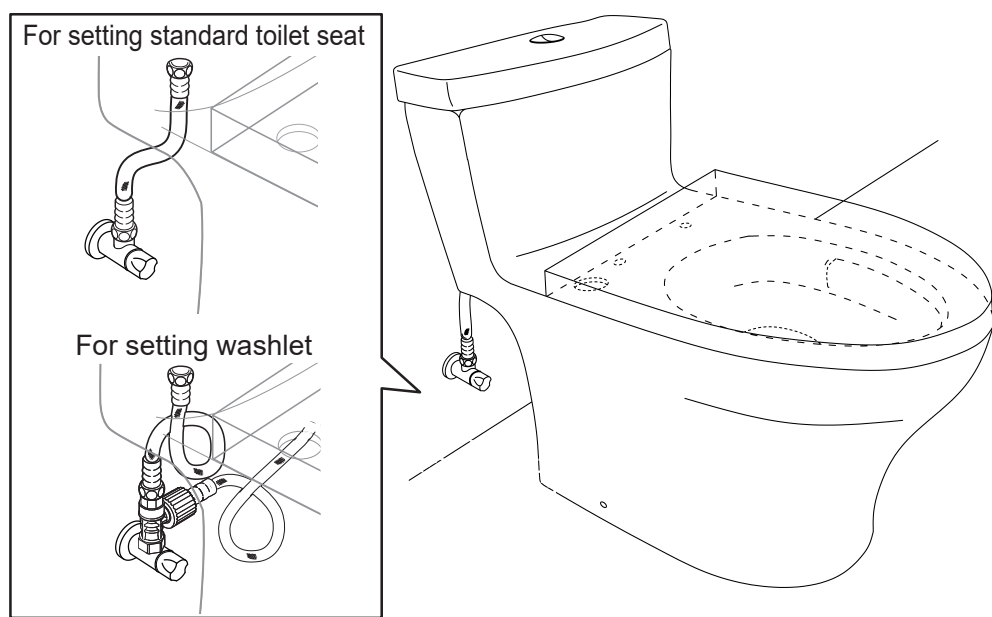


11

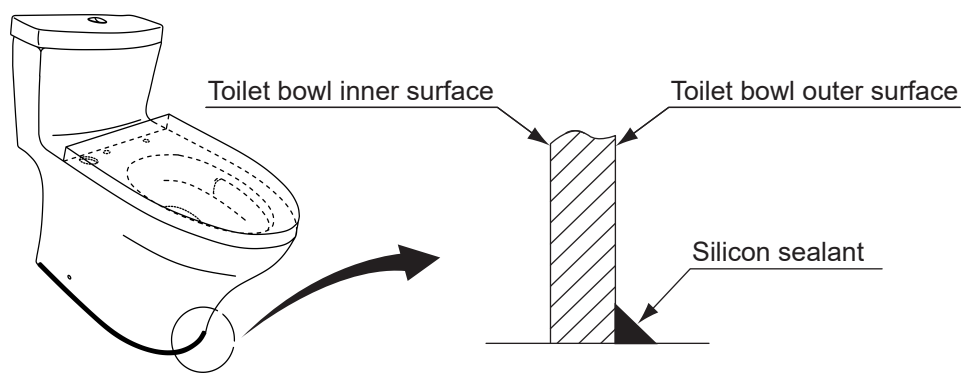


When installing the washlet main unit or standard toilet seat main unit, follow the instructions in the included Installation Guide.

12



After conducting a test run, confirm that no connections are leaking water. Not installing the product properly may cause water leaks that could result in flooding damage to property, such as household belongings.





- After the trial-run (flush) of the toilet bowl, check the toilet bowl inside for foreign matter such as chips of cut pipe, etc. Foreign matters such as transmitted rust can stick to the sides.
- Be sure to close the water supply valve and clean the water supply filter after a trial-run.
- \* After cleaning the filter, open the water supply valve.
- Make sure that there are no scratches or other damage on the ceramic surface. If the ceramic surface is tightly pressed or rubbed against metals (watchbands, belt buckles, etc.), black or silver streak marks may be left on the surface.
- After installation, unseen dirt (oil or adhesive for piping) may remain in the toilet bowl.  
Be sure to wipe it off using a non-abrasive neutral detergent for toilets.  
Otherwise, the toilet bowl surface may not flush completely clean.

## WARNING

1. Do not pour detergent into the tank. Doing so could cause damage to the household or product. Detergent that contains fluorine components (calcium hypochlorite) could damage devices inside the tank. Resulting malfunctions such as water shutoff problems could cause water leaks that could result in flooding damage to property, such as household belongings.
2. All materials are written based on the latest product conditions at the time of printing. However, TOTO China reserves the right to change product specifications, packaging, or supply conditions at any time.  
We may change this without prior notification.
3. Installing this product with cement is prohibited. TOTO shall not be held responsible for any damage to toilets caused by cement installation.
4. Use only the included discharge connection parts. If the building's plumbing uses a trap structure, it could impact the flushing performance of the product.

## Malfunction Troubleshooting

### Malfunction 1: Cannot flush

Possible cause	Solution
The shutoff valve is closed.	Open the shutoff valve.
The discharge valve's ball chain is loose and unable to lift the float valve.	Adjust the length of the discharge valve's ball chain.

### Malfunction 2: The toilet is clogged or does not flush smoothly

Possible cause	Solution
The toilet is clogged.	Clean any foreign matter from within the discharge pipe.
The water supply hose is installed incorrectly.	Install the water supply hose (refer to Figure 1).
Water supply is slow.	The water supply pressure must be 0.05 Mpa (dynamic) or higher.
The water passage pipe is clogged.	Clean any foreign matter from within the water passage pipe.

### Malfunction 3: Water does not stop

Possible cause	Solution
The seal surface on the discharge valve unit is dirty.	Clean the discharge valve seal surface.
The seal surface on the water supply valve is dirty.	Contact TOTO After Sales Service to have the filter cleaned.
The float ball was caught on the tank wall.	Adjust the position of the water supply valve.
The discharge valve does not shut tightly.	Follow the discharge valve installation procedure and reinstall the discharge valve.
The discharge valve's ball chain is not the proper length.	Adjust the length of the discharge valve's ball chain.

### Malfunction 4: Water is not stored in the tank.

Possible cause	Solution
The shutoff valve is closed.	Open the shutoff valve.
The float ball is caught on the side of the tank.	Adjust the position of the water supply valve.
The filter is clogged.	Contact TOTO After Sales Service to have the filter cleaned.

### Malfunction 5: Water leaks from the tank.

	Possible cause	Solution
1	The water supply valve nut is loose.	Retighten the water supply valve nut.
2	The clamping of the shutoff valve is loose.	Retighten the shutoff valve.
3	The water supply hose or flexible hose is loose.	Retighten the water supply hose or flexible hose.

Caution: If any other issue occurs during use, contact the TOTO After Sales Service Department.

## Customer Usage Precautions

1. If the water in your region is of a hard quality, clean the toilet with toilet cleaner at least once per week. This will keep the water discharge outlet clean and the toilet flushing properly. Use a long brush to clean inside the water discharge outlet and water passage. This can prevent mineral matter from accumulating. Although most detergents will not damage the surface of the toilet, be sure to follow the detergent manufacturer's instructions when cleaning. Do not use corrosive chemicals or liquids.
2. Do not flush newspaper, diapers, sanitary products, or other foreign matter down the toilet. Doing so could clog the toilet pipeline.
3. Do not subject the toilet to strong forces or impacts. Otherwise, the toilet may break, causing injury or leaks that may damage property.
4. Do not use this product in environments subject to temperatures of 0° or below.
5. When you first use the product, slowly open the shutoff valve and confirm that there are no water leaks between the water supply hose and tank unit, and between the water supply hose and shutoff valve connection area.
6. Adjust the water level if the water level inside the tank is lower than the standard water line (WL). Otherwise, flushing performance will be affected (refer to Figure 2).
7. If the water pressure is high, tighten the shutoff valve appropriately to prevent the shutoff valve and hose from disconnecting.

Figure 1

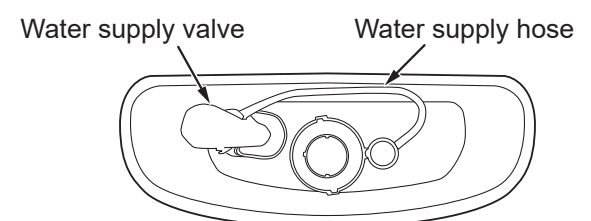


Figure 2 Be sure to confirm water supply after installing the toilet. Confirm that the water shutoff position matches the WL on the inner wall of the tank. If they do not match, adjust the height of the shutoff valve (refer to the following figure).

### Adjusting the water level

