

ZL Series
Bath Filler Without Shower
(3-Holes)



Features

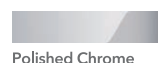
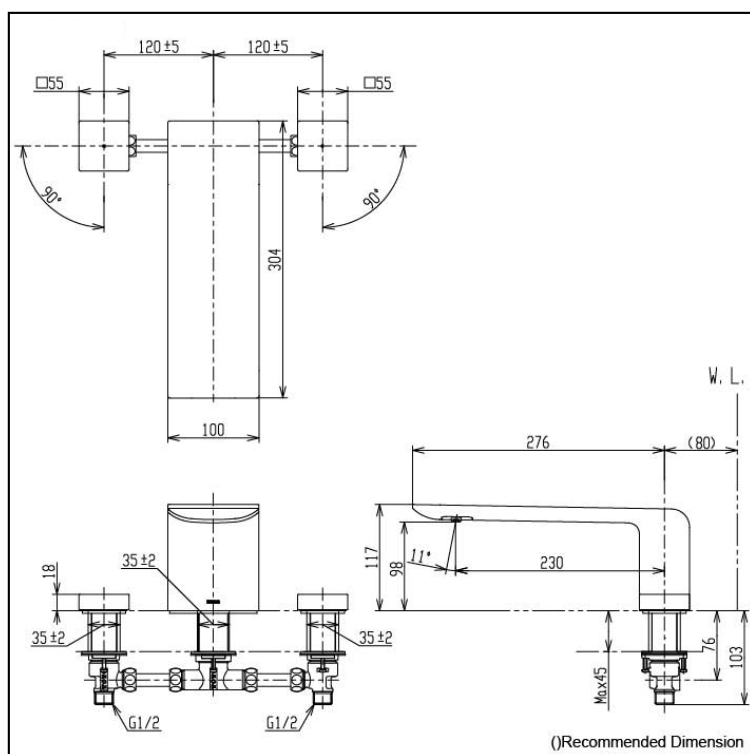
- Design Concept is Gorgeous and Organic
- Safety control with heat insulating handle.

Specifications

Finish: Chrome
Material: Brass
Water Pressure: 0.05MPa ~ 1.0MPa

Parts description

- TBP02201T
Bath filler without shower (3-Holes)



Please consult a TOTO representative for details