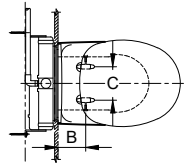
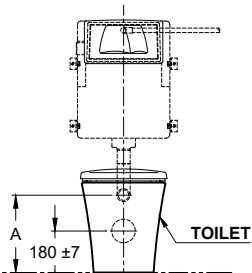
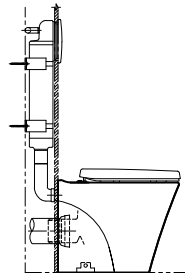


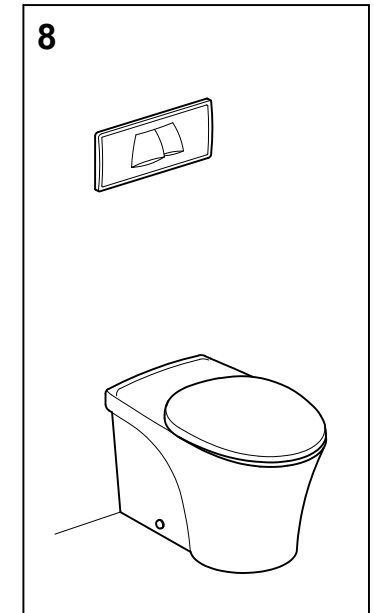
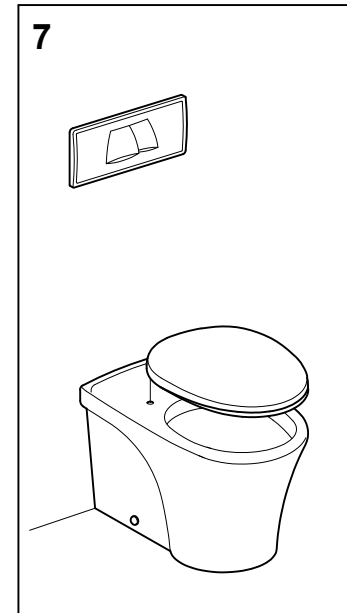
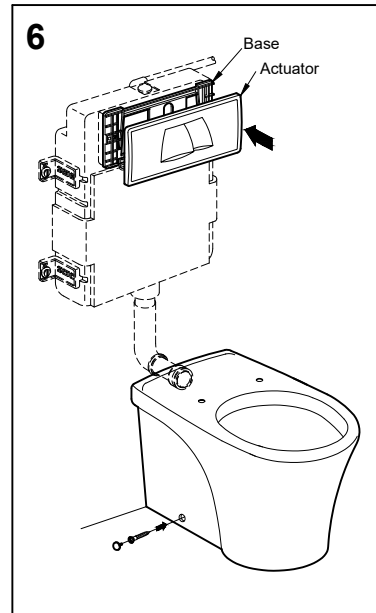
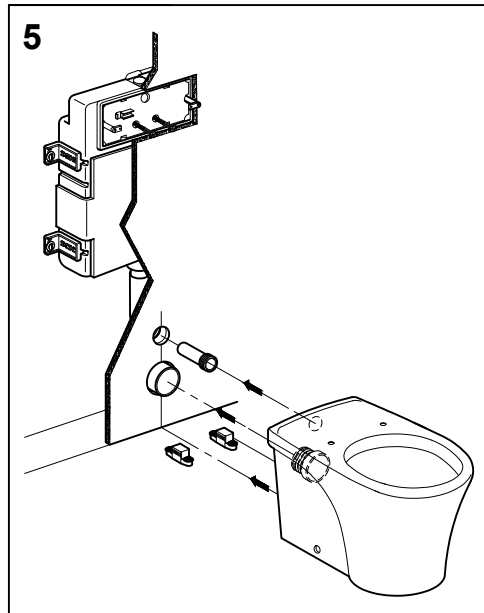
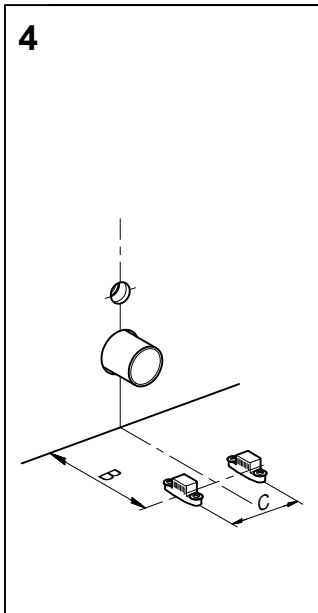
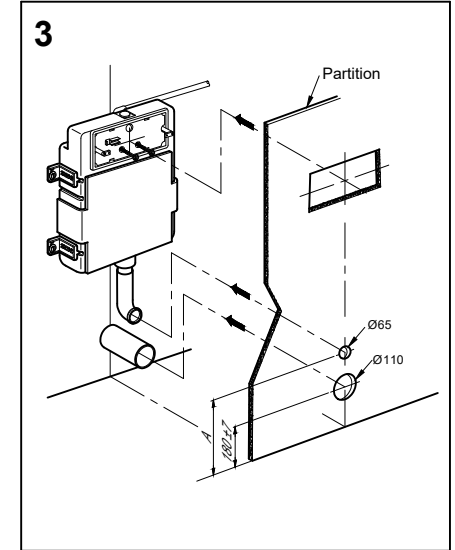
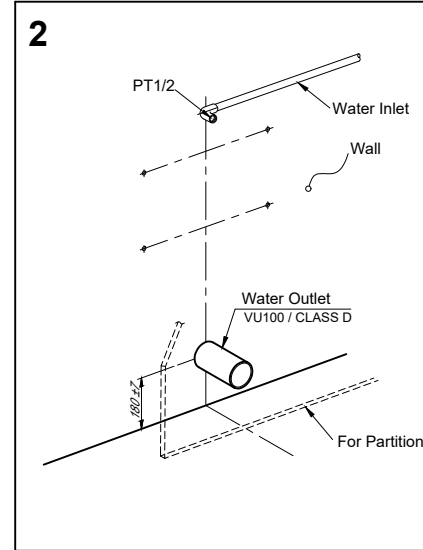
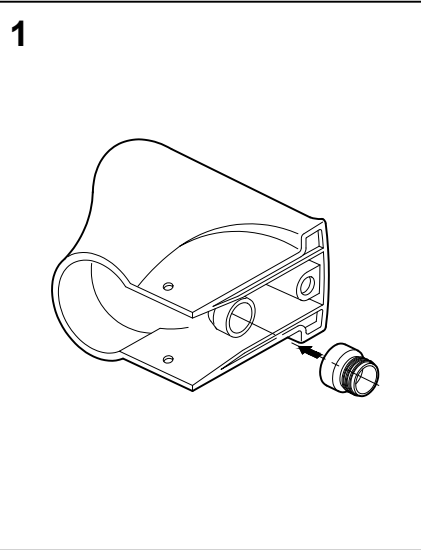
SPECIFICATIONS



| TOILET | A | B | C |
|-------------|---------|--------|--------|
| CW813PJ | 345 ±11 | 140 ±7 | 150 ±8 |
| CW824PJ/NPJ | 335 ±11 | 120 ±6 | 145 ±8 |
| CW863NPJ | 325 ±10 | 140 ±7 | 140 ±8 |



INSTALLATION



Note : " This installation drawing is intended as a recommendation only. Please consult your local plumbing contractor for the best arrangement for your bathroom. The manufacturer and seller take no responsibility for how the unit is installed "