

TOTO

PUBLIC

TX3A3

Hand Rail



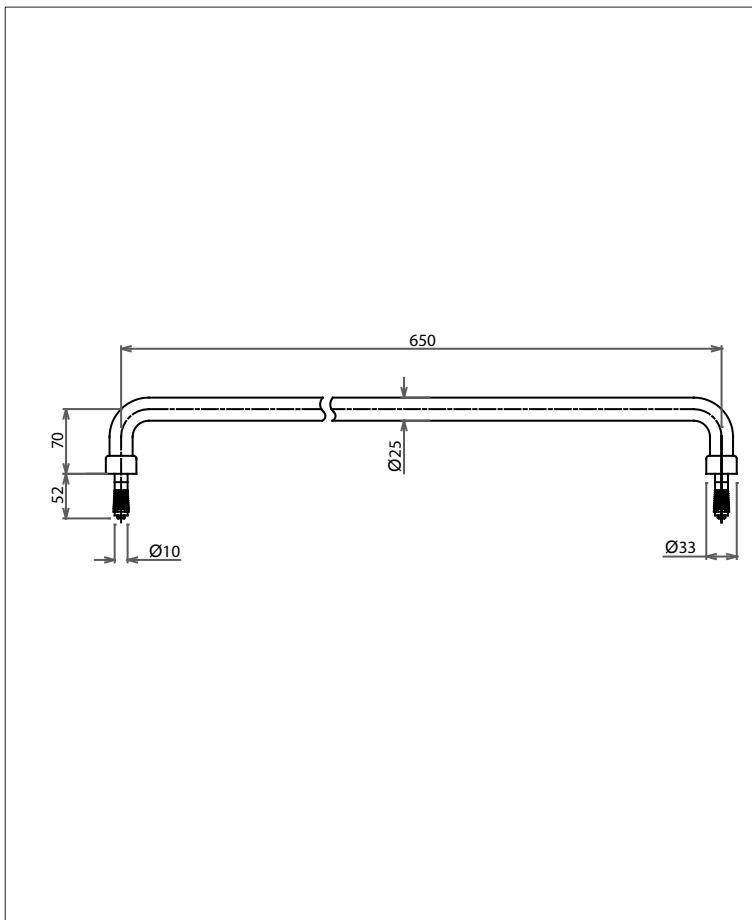
Features

- Highly resistant to scratches and stains
- Requires less maintenance
- Ideal for use in public areas
- Essential for handicap toilet

Specifications

Material : Stainless Steel

Length : 650 mm.



Parts Description

● TX3A3

Grab Bar
with Installation Bolt

Please consult a TOTO representative for details