

STOP VALVE
REI-S Series

TTWR103K



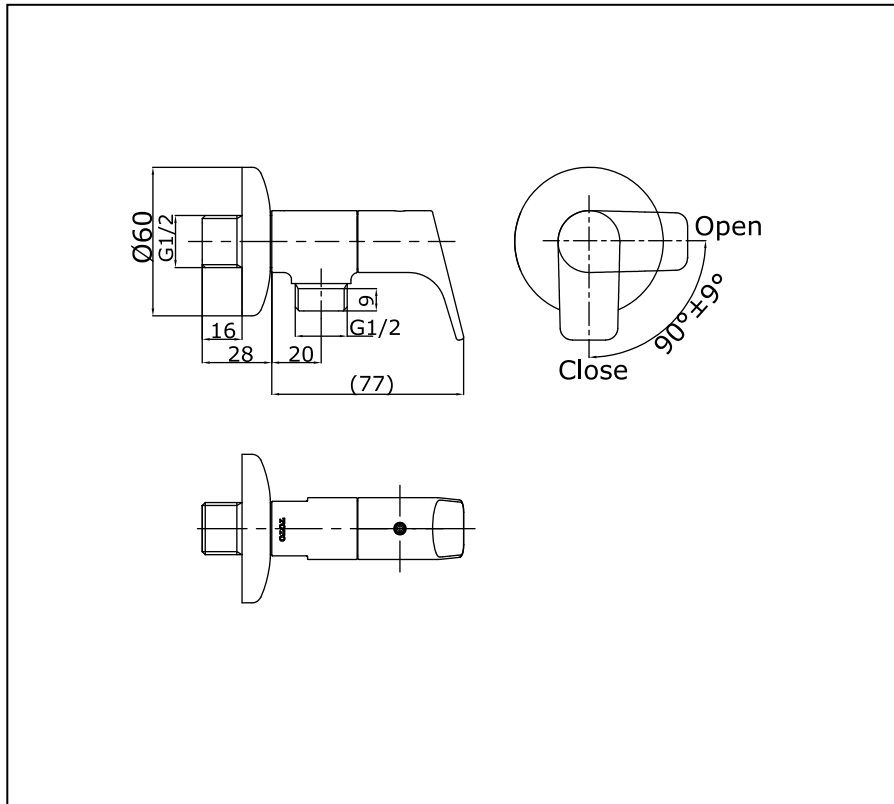
Features

- Durable finishes
- Sharp-lined smart design exclusively for Rei-Square series

Specifications

Water Pressure : 0.05MPa - 0.75MPa
 Material : Brass
 Finish : Nickel Chrome

Drawing:



Parts description

- **TTWR103K**
Stop Valve

Please consult a TOTO representative for details