

LB Series
2 Handle Lavatory Faucet
(3 hole)

TLS01201T



Features

- Design Concept is Life and Branch
- High corrosion resistance plating
- Safety Control with heat insulating handle

Specifications

Finish : Chrome

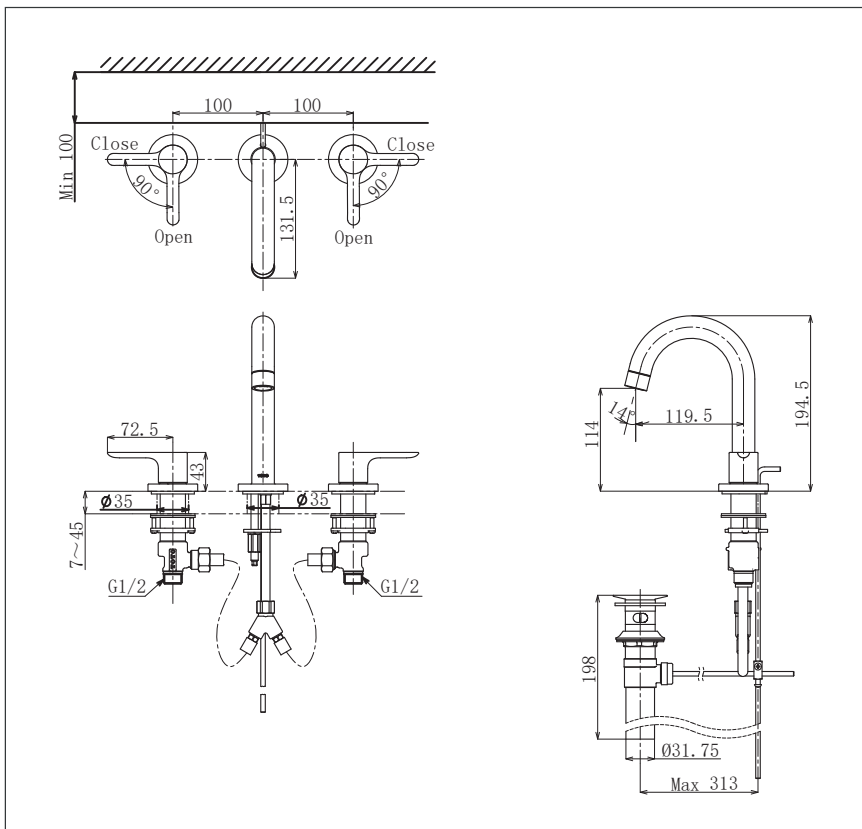
Material : Brass

Water Pressure : 0.05 ~ 1.0 Mpa

Parts Description

- **TLS01201T**
2 Handle Lavatory Faucet
(3 hole)

Please consult a TOTO representative for details



TOTO (THAILAND) CO.,LTD

Bangkok Office : G Tower Grand Rama 9,12th Floor, South Wing, 9 Rama IX Road,Huaykwang Sub-district,Huaykwang District, Bangkok. 10310 Thailand
Tel : +(66)2-117-9520(AUTO) Fax : +(66)2-117-9527
th.toto.com

All rights reserved by TOTO company. Specifications and size are subject to change without notice.