

TOTO

施工说明书
Instructions for construction

安装产品前请仔细阅读本施工说明书，并保留备用。
Before product installation, read these instructions for
construction carefully and retain it for future reference.

TOTO

OG4061Y
2017.03

Contents

Contents

Contents	1
Detailed list	2
Use condition and attentions in construction	3
Attentions in construction and maintenance	4
Installation completion figure.....	5-7
Faucets installation.....	8-13

Detailed list

Detailed list

Main water nozzle body part	1 set
Handle part	1 set
External plate part	1 set
Liner plate part	1 set
Fixing cover	1 piece
Adjusting screw	1 set
Button	1 set
Screw	4 pieces
Instructions for construction	1 copy
Instructions for operation	1 copy

The products using this detailed list include:

TBV02105 * "G Shower" Conceald 3way Push Button Shut Off Valve
(Contemporary Type)

TBV02405 * "G Shower" Conceald Thermostat and 1way Push Button Shut
Off Valve (Contemporary Type)

TBV02406 * "G Shower" Conceald Thermostat and 2way Push Button Shut
Off Valve (Contemporary Type)

TBV02402 * "G Shower" Conceald Thermostat Valve for 3way Push Button
(Contemporary Type)

Use condition and attentions in construction

Use condition

1. Cold water supply*hot water supply pressure

Minimum pressure 0.05MPa (flow pressure)

Maximum pressure 1.0MPa (static pressure)

Recommended pressure 0.1-0.5MPa (flow pressure)

A pressure-reducing valve has to be installed when exceeding 0.5MPa.

Testing pressure1.6MPa (static pressure)

2. The temperature for water supply is 4~90℃. It is suggested to use the temperature of 60±5℃. Do not use steam to supply hot water.

3. The ambient temperature for use is above 0℃. If the ambient temperature is lower than 0℃, the faucets will deform and crack from freezing.

4. To prevent internal sprinkler damage, the water outlet temperature on the sprinkler side shall not exceed 60℃. It is suggested to use a temperature below 45℃.

5. Being out of use for a long time may result in internal and external rust to the faucets and being unable to be used.

6. If you want to scrap this product, do not treat it as you do for general household garbage. Please follow relevant statutes to have it treated, recovered and collected appropriately by an independent recovery system.

7. The product in these instructions has a cleaning function.

※ To attain the best installation and operation effect, it is recommended to use with TOTO series sprinkler in a supporting manner.

Attentions in construction and maintenance

⚠ Attentions in construction

⚠ Warning: it means that ignoring this mark and misoperation may cause serious personal injury and death.

⚠ Attention: it means that ignoring this mark and misoperation may cause personal injury or property loss.

⚠ Warning

1. The hot water supply side of the faucets is in a condition of high temperature. Do not allow skin to contact with the hardware surface directly. Otherwise, scalding may occur.
2. Do not reverse the cold*hot water pipe. Otherwise,scalding may occur.
3. Do not use steam to supply hot water. Otherwise, scalding may occur.
4. When switching directly from the water outlet side to the shower side or from the shower side to the water outlet side,the water temperature may change.Be sure to use after measuring the water temperature with hand.Otherwise,scalding may occur.
5. Turn the temperature-regulating handle slowly.If turning the temperature-regulating handle rapidly,the temperature will rise or reduce sharply.
6. After using hot water,it is imperative to turn the temperature-regulating handle below “40” to avoid hot water spraying out when using it again.

⚠ Attentions

1. As the temperature control spool is a precise component, do not dismantle it without authorization. Otherwise, such poor conditions as water leakage, etc. may be caused.
2. Do not use strong force to impact the faucet. Otherwise, water leakage or faucet strength reduction may occur.
3. With the product design being updated constantly, the physical object may not coincide with the figure. However, the basic principle for installation, use is the same.
4. Due to water supply insption before ex-factory,there may be water remaining in the faucet.This is not a product problem.

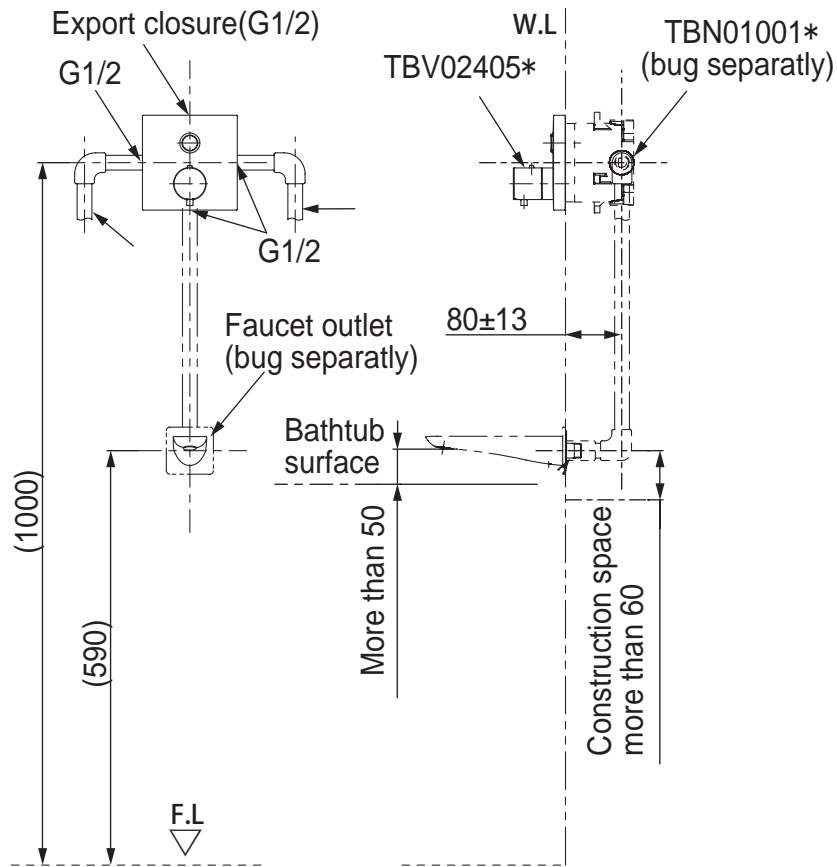
Maintenance

To maintain a beautiful appearance of the product, the user is requested to conduct maintenance and care in the following method.

1. Wipe with a piece of soft cloth frequently and use a piece of soft cloth dipped in water to wipe from time to time.
2. When dirt exists obviously, please use water to wash sufficiently after wiping with a neutral detergent.

Installation completion figure

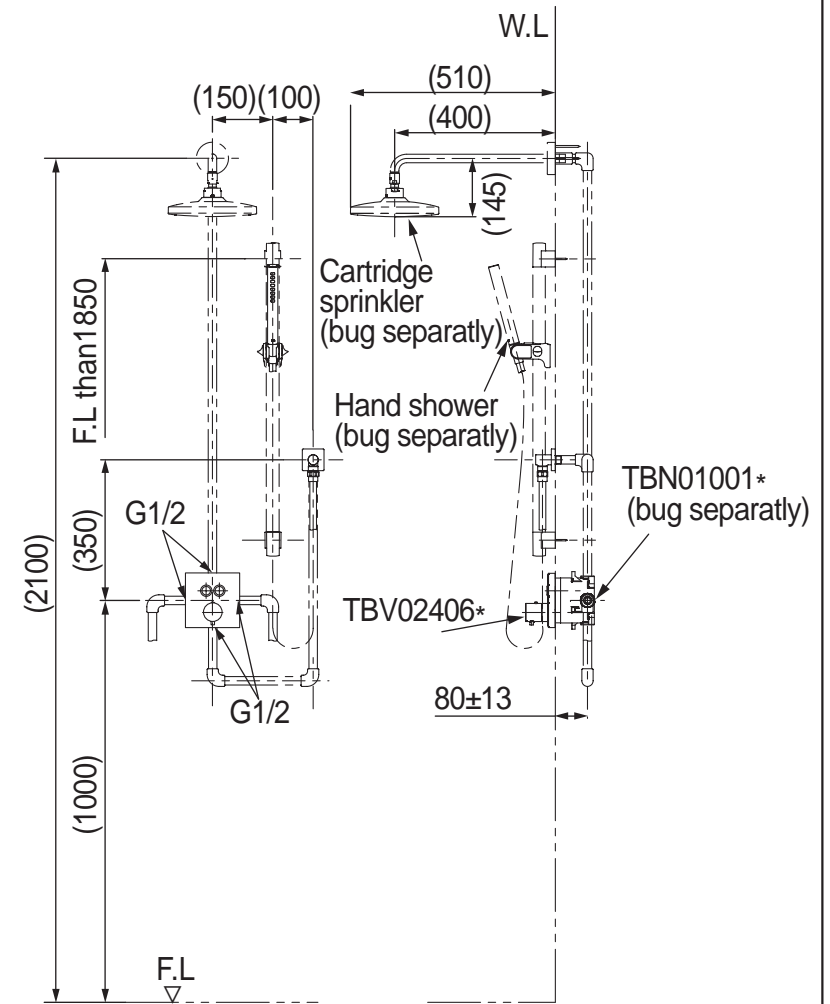
TBV02405* "G Shower" Conceald Thermostat and 1way Push Button Shut Off Valve (Contemporary Type)



Note: The above dimensional unit is mm.
The dimensions in () are reference ones.

Installation completion figure

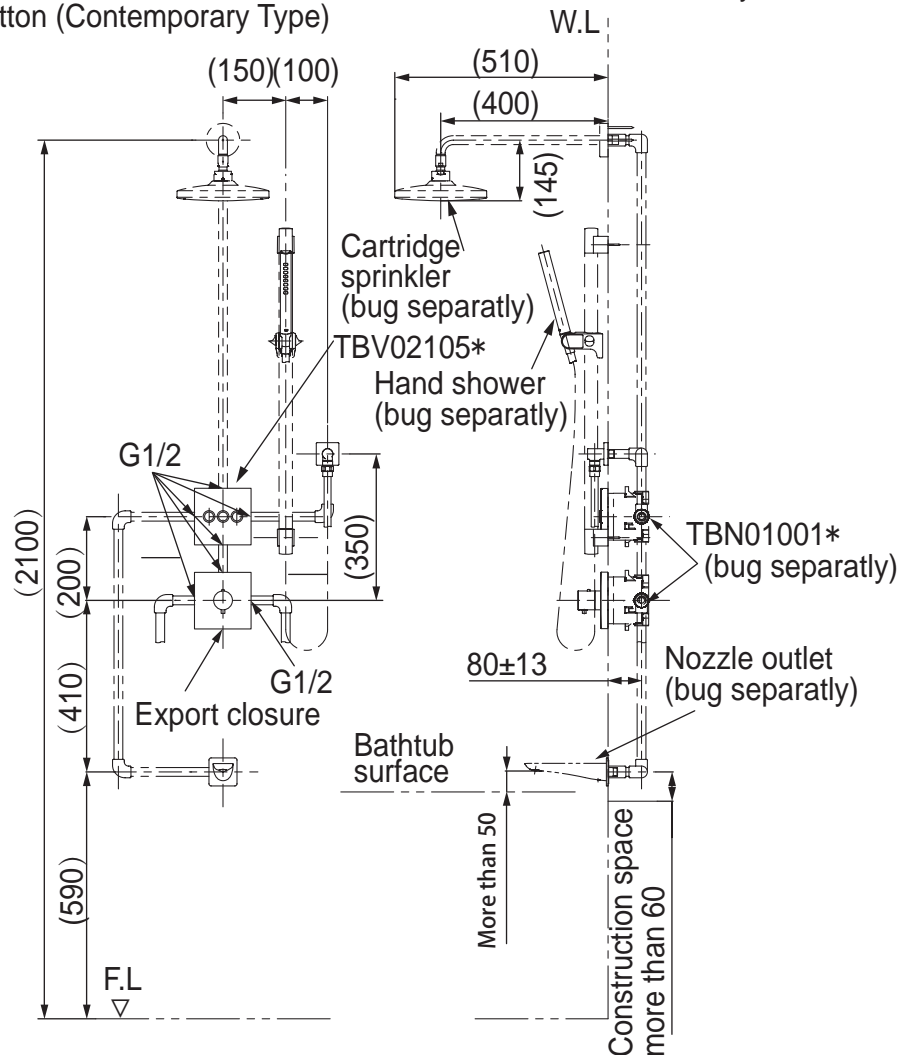
TBV02406* "G Shower" Conceald Thermostat and 2way Push Button Shut Off Valve (Contemporary Type)



Note: The above dimensional unit is mm.
The dimension in () is reference dimension.

Installation completion figure

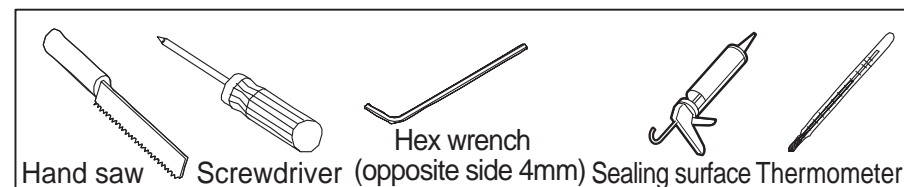
TBV02105* "G Shower" Conceald 3way Push Button Shut Off Valve (Contemporary Type)
 TBV02402* "G Shower" Conceald Thermostat Valve for 3way Push Button (Contemporary Type)



Note: The above dimensional unit is mm.
 The dimension in () is reference dimension.

Faucets installation

Tools to be prepared

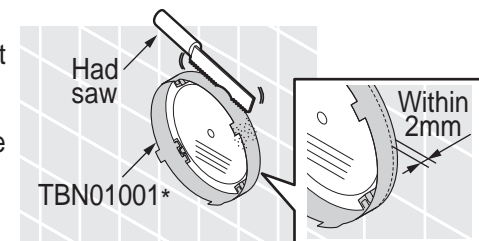


Confirm the following before installation

- Confirm that the water supply pipe has been closed and the water circuit has been cleaned before installation.
- Read carefully the instructions for construction and install according to the main points for installation in the instructions.

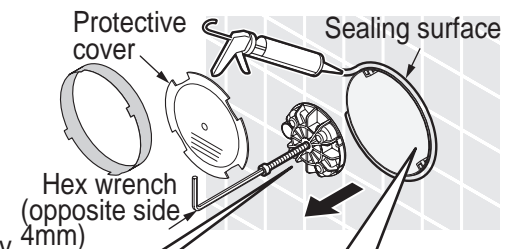
I. Preparation before Faucet installation

- For the buried product properly installed (TBN01001*), remove the part of resin sleeve exposed from the wall. It is required to ensure that the convex edge of the resin sleeve is within 2mm with the wall surface. (The edge cannot be recessed inside the wall surface either)

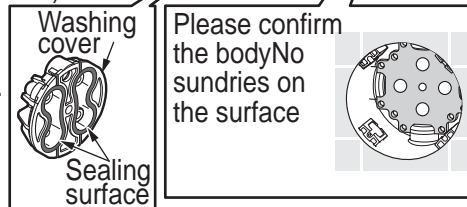


Attentions

- In cutting the resin sleeve, note that cut edge is neat.
- In cutting the protective cover, there is a possibility of being scratched. But this does not influence the use of the whole product.



- Apply waterproof adhesive uniformly in the gap between the buried box, and wall surface. No adhesive surface shall be convex from the wall surface.



- Remove the protective cover. After using a hex wrench to remove the screws, take out the washing cover.

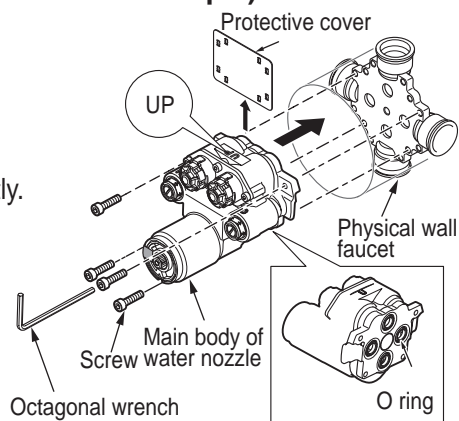
Faucets installation

II. Faucet installation (take TBV02406* as an example)

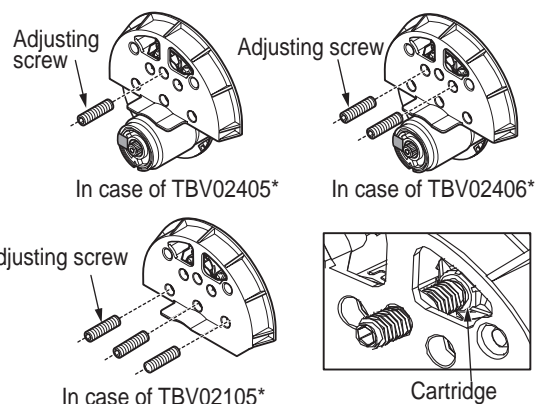
1. Installation of main body part of faucet
 - a. Take out the main body part of faucet and remove the protective cover.
 - b. Install the up direction mark "UP" on the main body of faucet in the faucet buried in wall and use screw to secure sufficiently.

Attentions

- When removing the protective cover, take care not to allow screws drop and lose. The O-ring cannot fall off.
- Please use the hex wrench in the product package to fasten the screws on the main body of faucet



2. Cutting off of adjusting screw (in case of TBV02402*, there is no this step)
 - a. Take out the fixing cover and use screws to fix it in the faucet buried in wall.
 - b. Take out the adjusting screw and screw in a corresponding position. Just tighten until contacting with the cartridge surface.



Attentions

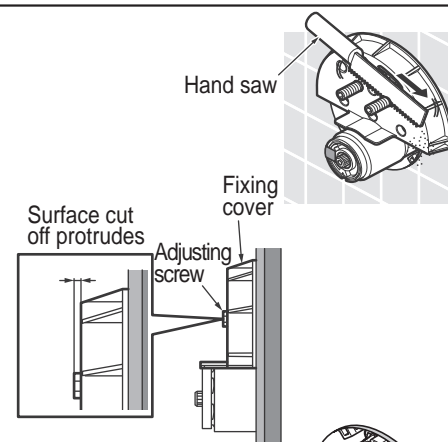
- Do not use electric tool to tighten the screws by sudden force.
- Do not screw tight the adjusting screw by strong force.

Note: The above dimensional unit is mm.
The dimension in () is reference dimension.

Faucets installation

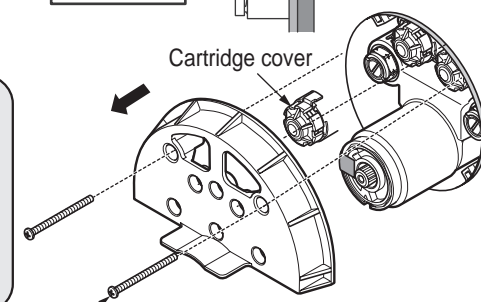
- d. Use a hand saw contacting closely with the surface of the fixing cover to cut off the adjusting screw.
- e. Remove the properly cut off adjusting screw. Then remove the fixing cover. At last, remove the cartridge cover.

※An additional set of adjusting screw is equipped for appearing on site. If cutting off is not successful, use the spare part to cut off again. The fixing cover removed has no functional assembly. Please abandoned after the installation of the product according to the national rules and regulations.



Attentions

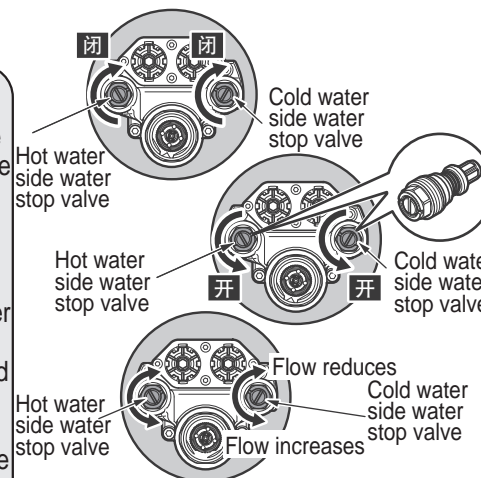
- In cutting off, keep the adjusting screw fixed without turning.
- The surface of the adjusting screw cut off must be flat with no burr.
- Do not lose the screws when removing the fixing cover.



3. Installation of liner plate

Attentions

- Before installing the liner plate part, please confirm first if the water stop valve is fully open and conduct a water pressure test to see if the main body of faucet is installed properly.
- properly. Press the press start type cartridge and confirm if the outlet water flow at the terminal end of the whole water circuit is normal. If the flow is very small, please screw out the water stop valve and clean the filter net thereon.
- Turn the spindle in the water stop valve to an appropriate position according to the water amount required.

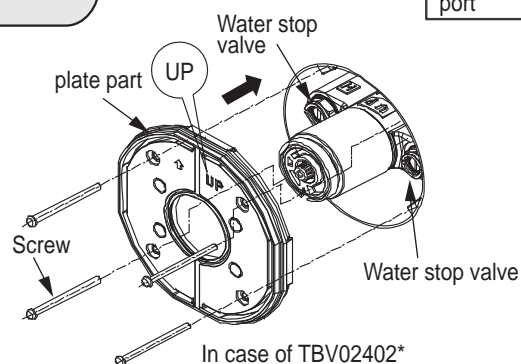
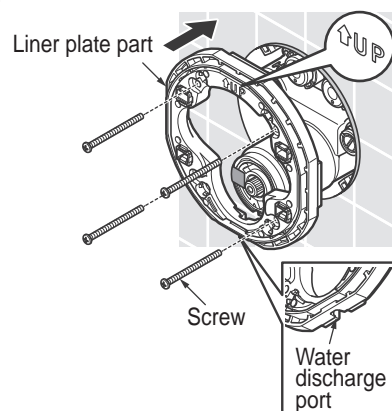


Faucets installation

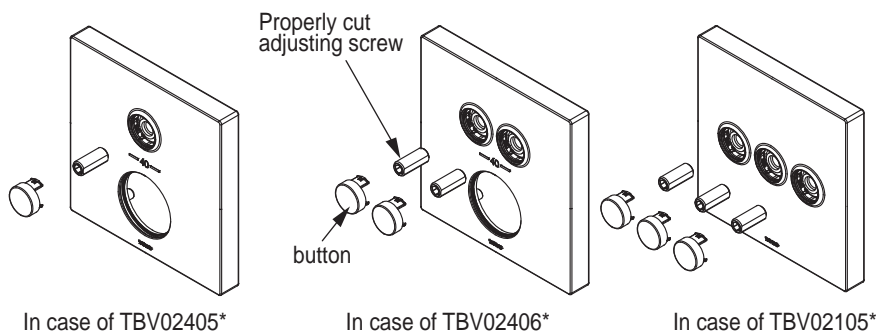
Take out the lining plate part and use screws to fix it onto the faucet buried in.

Attentions

- The "up" on the lining plate should face up and the water discharge port should face down.
- Please compress the foam gasket on the lining plate and reduce the gap between the lining plate and wall surface as practical as possible.
- Please fasten the screws manually. Do not use electric tool to tighten by force.



4. Button installation (in case of TBV02402*, there is no this step)

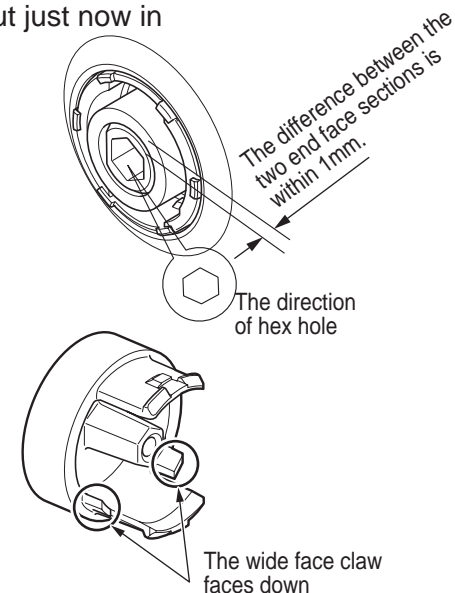


Faucets installation

- ①Screw the adjusting which screw cut just now in the decorating plate.
- ②Install the button

Attentions

- The cut off surface of the adjusting screw faces outside and it is ensured that the end face section difference with the sliding part in the decorating plate is within 1mm.
- When the adjusting screw is turned to stop, ensure one angle of the hex hole faces up.
- The button needs to ensure the wide face claw.

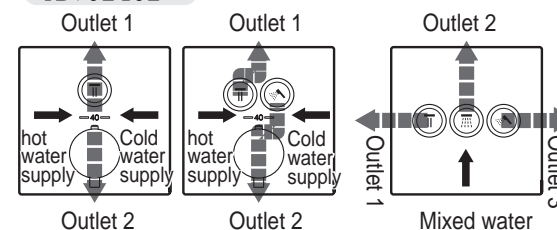


In case of TBV02405*, TBV02406*, please select the button showing corresponding function icon according to other ancillary products for installation.

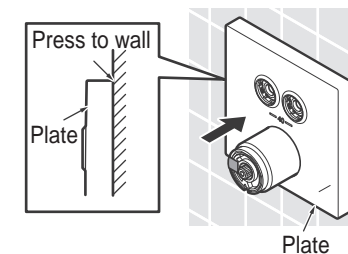


Waterway Flow direction

TBV02405* TBV02402* TBV02406* TBV02105*



5. Decorating plate installation
Put the main body of faucet on the decorating plate part and compress tight.

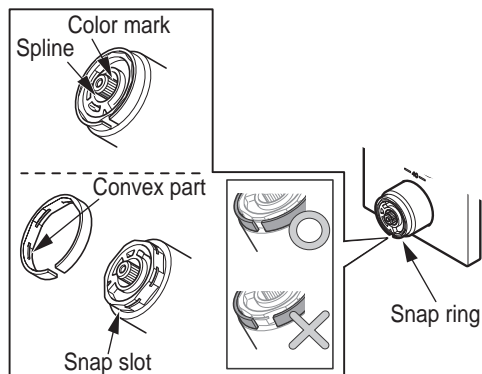


Faucets installation

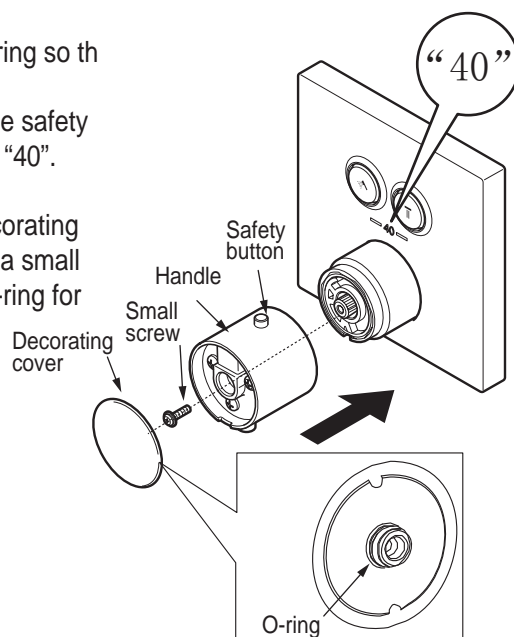
6. Handle part installation (in case of TBV02105*, there is no this step)

Attentions

- Before installing the handle part, confirm that the opening of the snap ring faces down and the internal convex part has been snapped in the snap slot.
- As before the temperature adjusting cartridge leaves the factory, the outgoing water temperature is initially adjusted to 40°C and a color marking is provided on the spline, please turn the color marking to the up direction to align with "40".



- Adjust the opening of the snap ring so that it faces down.
- Install the handle and ensure the safety button to face up and align with "40".
- Screw the small screws.
- Put on and press tightly the decorating cover to facilitate application of a small amount of soap water on the O-ring for lubrication.



TOTO Asia Oceania Pte. Ltd.

telephone:65-6744-6955

FAX: 65-6841-0819

Address: 10 Eunos Road 8 #12-07 Singapore Post Centre

Singapore 408600

Website:asia.toto.com

TOTO KOREA LTD.

전화번호 : (02)-3141-8236

FAX 번호 : (02)-3141-8240

주소 : 서울시 마포구 상수동 351-16번지 로이코빌딩 3층

홈페이지 : <http://www.totokr.co.kr>