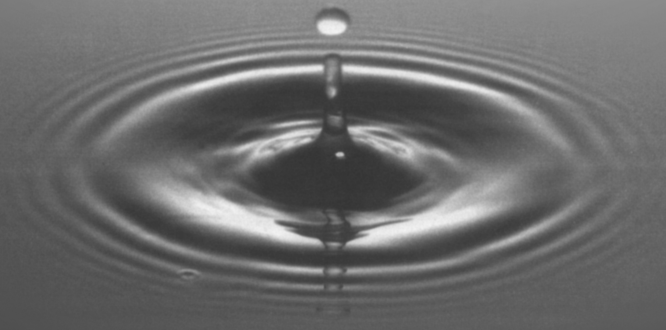


# 使用说明书 Instructions for operation

使用产品前请仔细阅读本使用说明书，并保留备用。  
Before using product, read these Instructions  
for operation carefully and retain it for future reference

# TOTO

# TOTO



OG402Y(A)  
2017.07

# Contents

## Contents

Contents .....	1
Detailed list.....	2
Use condition and attentions in use.....	3
Attentions in use and maintenance.....	4
Temperature Adjustment.....	5
Using method.....	6-7
Dismantle and inspection.....	8
Product warranty card.....	9

# Detailed list

## Detailed List

Main body of faucets.....	1 set
Temperature-adjusting handle.....	1 set
Open and close switching handle .....	1 set
<small>(※ Single thermostat product only has a temperature-adjusting handle).</small>	
Decorating plate.....	1 set
Lining plate .....	1 piece
Screw .....	4 pieces
Hex wrench.....	1 piece
Instructions for construction.....	1 copy
Instructions for operation.....	1 copy

The products using this detailed list include:

TVB01406\* "G Shower" Concealed Thermostat Valve  
(Standard Type)

TBV02401\* "G Shower" Concealed Thermostat Valve  
(Standard Type)

TVB01407\* "G Shower" Concealed Thermostat and Volume  
Control Valve(Standard Type)

TBV02403\* "G Shower" Concealed Thermostat and Volume  
Control Valve(Standard Type)

TVB01408\* "G Shower" Concealed Thermostat and 2way  
Diverter Valve with Shut Off (Standard Type)

TBV02404\* "G Shower" Concealed Thermostat and 2way  
Diverter Valve with Shut Off (Standard Type)



# Use condition and attentions in use

## Use condition

1. Cold water supply\*hot water supply pressure  
Minimum pressure ..... 0.05MPa (flow pressure)  
Maximum pressure ..... 1.0MPa (static pressure)  
Recommended service pressure.....0.1–0.5MPa (flow pressure)  
It is required to provide a pressure-reducing valve when exceeding 0.5MPa.  
Testing pressure.....1.6MPa (static pressure)
2. The temperature for water supply is 4~90°C. It is suggested to use the temperature of 60°C. Do not use steam to supply hot water.
3. The ambient temperature for use is above 0°C. If the ambient temperature is lower than 0°C, the faucets will deform and crack from freezing.
4. To prevent internal sprinkler damage, the water outlet temperature on the sprinkler side shall not exceed 60°C. It is suggested to use a temperature below 45°C.
5. Being out of use for a long time may result in internal and external rust to the faucets and being unable to be used.
6. If you want to scrap this product, do not treat it as you do for general household garbage. Please follow relevant statutes to have it treated, recovered and collected appropriately by an independent recovery system.
7. The product in these instructions has a cleaning function.

※ To attain the best installation and operation effect, it is recommended that the faucet should be used with the handheld series shower from TOTO.

## Attentions in use

-  Warning: it means that ignoring this mark and misoperation may cause serious personal injury and death.
-  Attention: it means that ignoring this mark and misoperation may cause personal injury or property loss.

# Attentions in use and maintenance

## Warning

- 1 Children are not allowed to use or can use only under the custody of adult. Such special groups as the aged and disabled should be accompanied by those with behavioral competence when using it.
2. The hot water supply side of the faucets is in a condition of high temperature. Do not allow skin to contact with the hardware surface directly. Otherwise, scalding may occur.
3. Do not reverse cold\*hot water pipes. Otherwise, scalding may occur.
4. Do not use steam to supply hot water. Otherwise, scalding may occur.
5. Rotate the temperature-adjusting handle slowly. If rotating the temperature-adjusting handle rapidly, the temperature will rise and fall sharply.
6. When the safety button on the temperature-adjusting handle is aligned with the “40” marking on the decorating plate in the center, the water outlet temperature is 40°C; when the temperature-adjusting handle is turned anticlockwise (without depressing the safety button) until it cannot be turned any longer, the water outlet temperature is about 42°C; After pressing the safety button of the temperature-adjusting handle, continue to rotate anticlockwise until no rotation can be made any longer. The water outlet temperature is about 45°C.  
After using hot water, it is imperative for the temperature-adjusting handle to be below “40” to avoid hot water spraying out when using again.
7. Please be sure to close the water inlet valve before removal and repair.

## Attentions

1. As the temperature control cartridge is a precise component, do not dismantle it without authorization. Otherwise, such poor conditions as water leakage, etc. may be caused.
2. Do not use a strong force to impact the faucet. Otherwise, water leakage or faucet strength reduction may occur.
3. It is imperative to use a neutral detergent in cleaning. Other detergents than a neutral one may damage the plating coat or make the surface discolor.
4. Do not use any such detergent as acidic detergent and abstergent, polishing powder, etc. containing thick particles and nylon brush. Otherwise, the plating coat may be damaged, etc.
5. It is allowed to use a piece of soft cloth to wipe or use from time to time a piece of cloth immersed in machine oil or vehicle wax to wipe. However, do not contact with resin components. Otherwise, they may lose the gloss and become rusty.
6. It is suggested not to leave it unused for a long time. Otherwise, this may lead to internal and external rust to faucets to such a degree that it cannot be used any more, etc.
7. With the product design being updated constantly, the physical object may not coincide with the figure. However, the basic principle for installation, use is the same.
8. As a water supply inspection is made before leaving factory, there may be water remaining in the faucet and this is not the problem of the product.

## Maintenance

To maintain a beautiful appearance of the product, the user is requested to conduct maintenance and care in the following method.

1. Wipe with a piece of soft cloth frequently and use a piece of soft cloth dipped in water to wipe from time to time.
2. When dirt exists obviously, please use water to wash sufficiently after wiping with a neutral detergent.

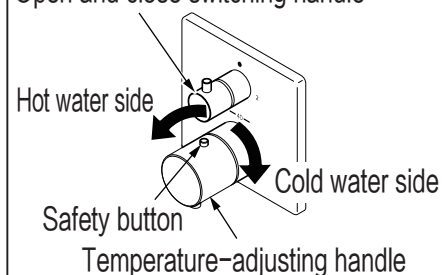
# Temperature Adjustment

## Water outlet temperature confirmation

Make the safety button on the temperature-adjusting handle and the "40" marking on the panel aligned in the center. Rotate the switching handle to allow the water outlet shower to output water. Confirm that the water outlet temperature is 40°C. If not, please adjust the water outlet temperature by following the main points below. (Take TBV02404\* as an example. The main points thereof for water outlet temperature adjustment is the same as that for thermostat product)

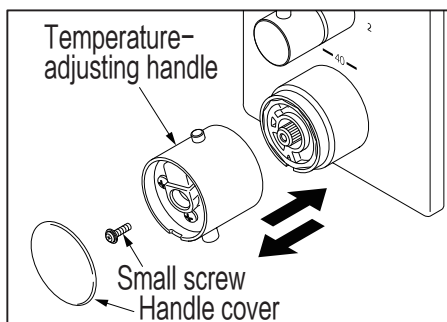
## Main points of water outlet temperature adjustment

### Open and close switching handle



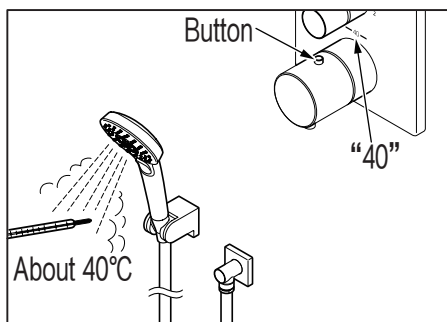
1. Allow the water outlet or shower to output water. Rotate the temperature-adjusting handle until the water outlet temperature reaches 40°C. That position has nothing to do with the scale on the body. When rotating to the high temperature side, please press the safety button.

### Temperature-adjusting handle



2. When pulling out the temperature-adjusting handle, please take out the handle cover first and then screw to remove the small screws.  
※ When removing the handle cover, please use something with a thin pointed end such as screwdriver, etc. Take care not to scratch the plated coat surface and do not allow the temperature-adjusting handle to rotate.

### Button



3. Make the safety button on the temperature-adjusting handle and the "40" marking on the decorating plate aligned in the center. Install the temperature-adjusting handle. After confirming that the water outlet temperature is 40°C, tighten the small screws. Install the handle cover.

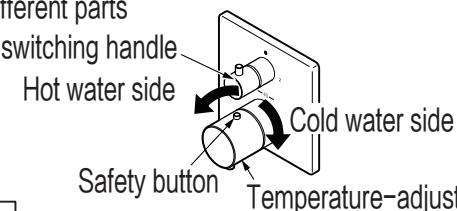
# Using method

## I. Characteristics

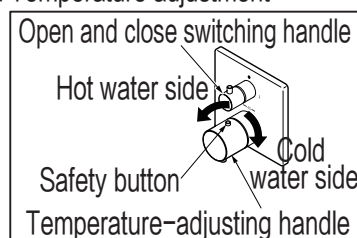
- ① Under the action of the thermostat cartridge, the water coming out can be adjusted to a certain temperature automatically. Therefore, even if the pressure of the cold, hot water supplied changes, the temperature almost experiences no change.
- ② Just adjust the temperature-adjusting handle and the desired temperature can be reached.
- ③ A filter net is installed to avoid sand particles or dust in the pipe coming into the component.
- ④ The temperature-adjusting handle has a safety button. No hot water will spray out even in case of misoperation.

## II. Names and using methods of different parts

### Open and close switching handle

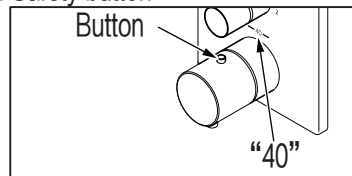


### 1. Temperature adjustment



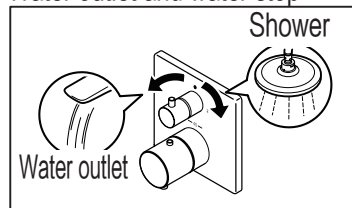
① Rotate the temperature-adjusting handle and adjust the desired water outlet temperature to the 40°C marking. The marking "40" represents the water outlet temperature standard.  
(The single thermostat faucet is the same as above in respect of temperature adjustment.)

### 2. Safety button



② A safety button is provided to avoid hot water spraying out due to misoperation. The temperature-adjusting handle is fixed around "40". If high-temperature water outlet is wanted (greater than 40°C), it is imperative to press the safety button and rotate the handle simultaneously.  
Attention: After using, it is imperative to have the handle return to a level below 40 to avoid scalding when using next time.

### 3. Water outlet and water stop



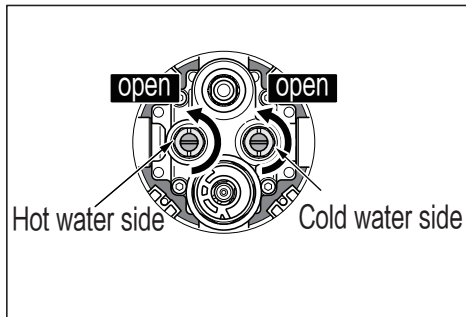
③ When, taking the switching faucet as an example, matching with a fixed water outlet and a fixed shower, water will come out from the water outlet when the switching handle is turned leftward to position "1" and water will come out from the fixed shower when it is turned rightward to position "2". When the above rotation reaches the limit position, the water outlet amount is maximal. To stop water outlet, please rotate the open and close switching handle rod to the central position.  
Attention: After using, it is imperative to have the handle return to a level below 40 to avoid scalding when using next time.



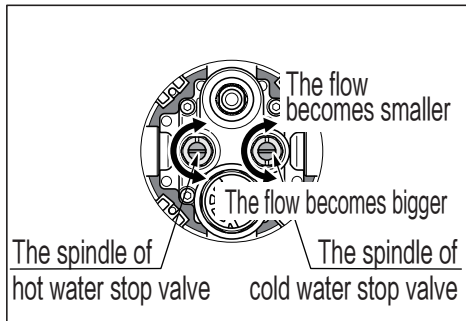
# Using method

## Filter net cleaning and flow adjustment

Please be sure to clean the filter net after faucet installation. Besides, if the user finds the flow to be insufficient after using for a period of time, please clean the filter net.



Filter net cleaning when clean the filter net. Please turn off cold and hot water supply valve then use a sleeve wrench to remove the check valve in anti clockwise direction. Clean the filter net after carry out the check valve.

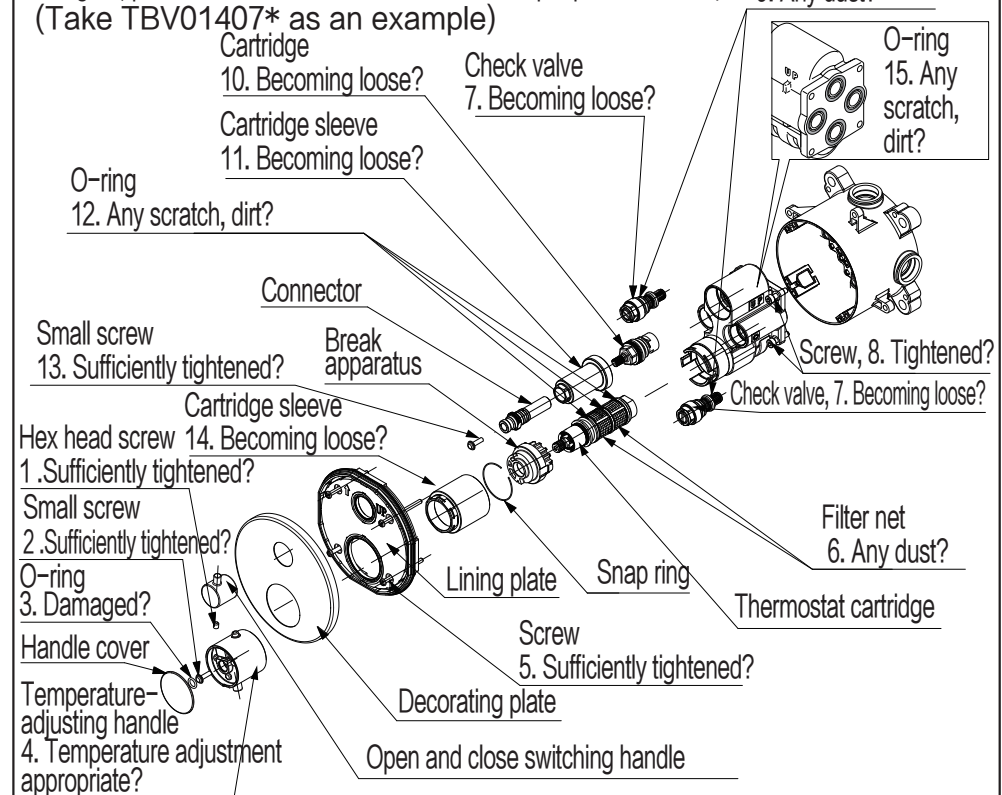


Flow adjustment  
The flow of both hot water stop valve and cold water stop valve reduces during rotating clockwise and increases during rotating anticlockwise.  
⚠ Attention: When turning the water stop valve spindle anticlockwise, take care to use appropriate force. Otherwise, the water stop valve may be removed entirely resulting in water

# Dismantle and inspection

Phenomenon	Inspecting item
The water flow is small	6, 7, 9
The handle swing	1, 2, 3, 11, 13, 14
The decorating plate swing	5
The water flows without stop and water leakage exists	6, 7, 8, 9, 10, 11, 12, 14, 15
Only high temperature appears	4, 6, 7, 9, 12
Only low temperature appears	4, 6, 7, 9, 12

In case of any failure after installation, please remove by following the main points below.  
(In case that it is required to remove those spare parts not removed in this figure, please contact relevant after-sale service people for removal)  
(Take TBV01407\* as an example)



※ If shower bath flow is so small that influences shower bath comfort, the customer can remove the check valve and clean the filter net.

# Product Warranty Card

User	
Sales shop or installation shop	
Date of buying	
Warranty period	The warranty is effective for a period of one ( 1 ) year from the date of purchase.

- \* If the contents in the above column are not complete, the product warranty card shall be deemed as invalid. Therefore, user should confirm the contents put in at the time of buying.
- \* The items covered in this product warranty card are only limited to repair to those free repair items as agreed in the product warranty card.
- \* During the warranty period, if any failure occurs to the product (water leakage, seepage), the user is requested to show the product warranty card and buying invoice to the sales shop or installation shop for making a repair requirement.

## Free Repair Regulations

1. During the warranty period, if the user uses the products of the company correctly according to relevant instructions, adhesive labels, the company will provide free repair to any faulty product.
2. When any free repair is required due to damage within the warranty period, please bear this warranty and the buying invoice to entrust the installation shop or sales shop to handle it.
3. Within the warranty period, the repair in the following occasions is paid repair.
  - ① Any failure and damage due to any improper use or any improper repair and modification conducted privately.
  - ② Any failure and damage resulting from any carelessness or fault in installation construction.
  - ③ Any failure and damage attributed to such reasons as removal for relocation after installation, etc.
  - ④ Any failure and damage due to using this product in occasions beyond the specified scope of use (for example, home commodity is used for any business purpose).
  - ⑤ Any damage caused by sand grains or dirt, etc.
  - ⑥ Such adverse results as dirtiness, plating part rusting, etc. attributed to improper daily maintenance and care.
  - ⑦ Any failure and damage due to fire, earthquake, flood, lightning strike and other natural disasters, public nuisances, gas damage (liquefied gas), salt damage and abnormal voltage, use of any power supply (voltage, frequency) other than the specified ones, etc.
  - ⑧ The occasions not specified in this warranty.
  - ⑨ The occasion in which the user name, sales shop, installation shop or buying date is not filled in.
  - ⑩ No buying invoice can be presented.
4. This warranty applies to countries except China.
5. This product warranty card shall not be reissued when being lost. Customers are requested to keep it properly.

TOTO Asia Oceania Pte. Ltd.

Telephone:65-6744-6955

FAX: 65-6841-0819

Address: 10 Eunos Road 8 #12-07 Singapore Post Centre  
Singapore 408600

Website:asia.toto.com

TOTO KOREA LTD.

전화번호 : (02)-3141-8236

FAX 번호 : (02)-3141-8240

주소 : 서울시 마포구 상수동 351-16번지 로이코빌딩 3층

홈페이지 : <http://www.totokr.co.kr>