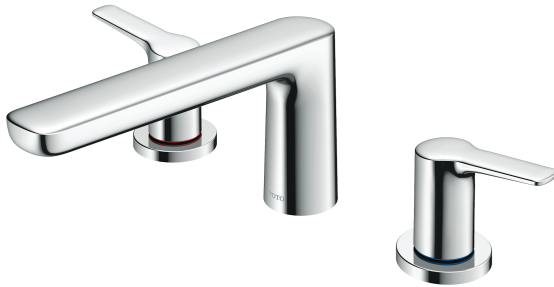


GS Series
Bath filler
(3 Holes)

TBG03201T



Features

- Design concept is gorgeous and smart
- Safety control with heat insulating handle.
- High corrosion resistance plating

Specifications

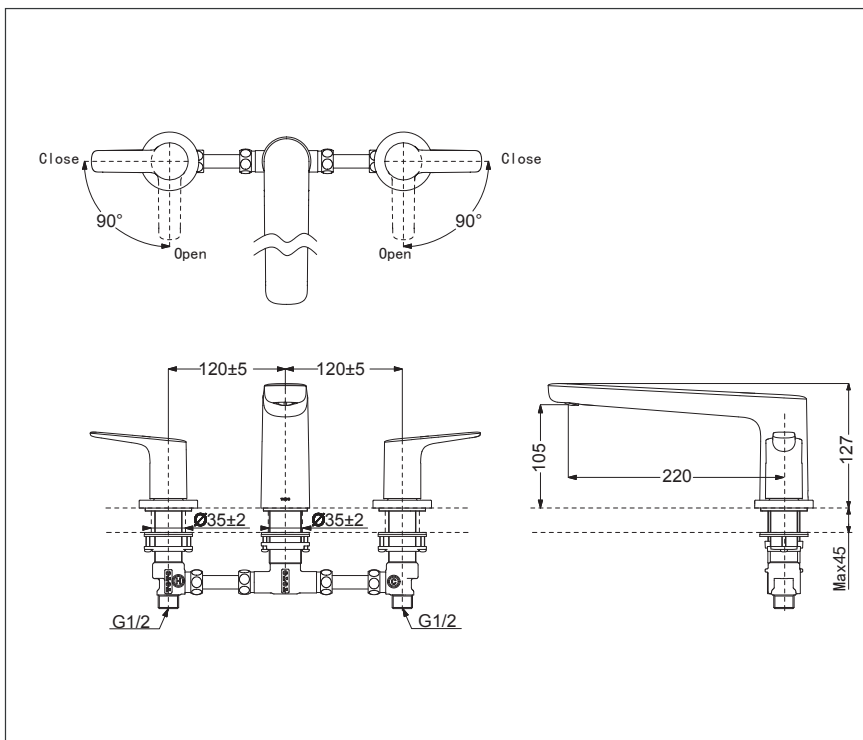
Finish : Chrome

Material : Brass

Water Pressure : 0.07 ~ 1.0 Mpa

Parts Description

- **TBG03201T**
Bath filler (3 Holes)



Please consult a TOTO representative for details