



Features

- Multi-use handrails can be easily used by physical challenged people in public.
- Exquisite appearance.
- Durable anti-fouling.
- Easy to install and use.

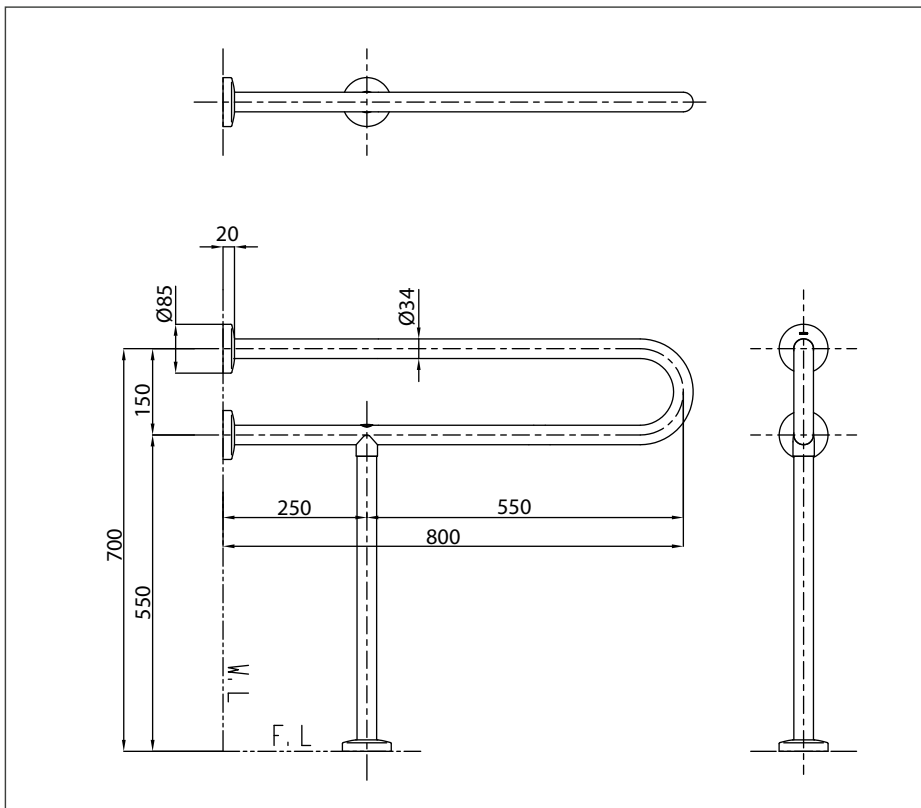
Specifications

Length : 800 mm., Ø34 mm

Parts description

- T113BP23
Handrail for Lavatory
without Installation Bolt
(T110D3R x 3 Pcs.)

Please consult a TOTO representative for details



TOTO (THAILAND) CO.,LTD

Bangkok Office : G Tower Grand Rama 9,12th Floor, South Wing, 9 Rama IX Road, Huaykwang Sub-district, Huaykwang District, Bangkok. 10310 Thailand
Tel : +(66)2-117-9520(AUTO) Fax : +(66)2-117-9527
th.toto.com

All rights reserved by TOTO company. Specifications and size are subject to change without notice.