

*Hand Rail***F**eatures

- Highly resistant to scratches and stains
- Requires less maintenance
- Ideal for use in public areas
- Essential for handicap toilet

**S**pecifications

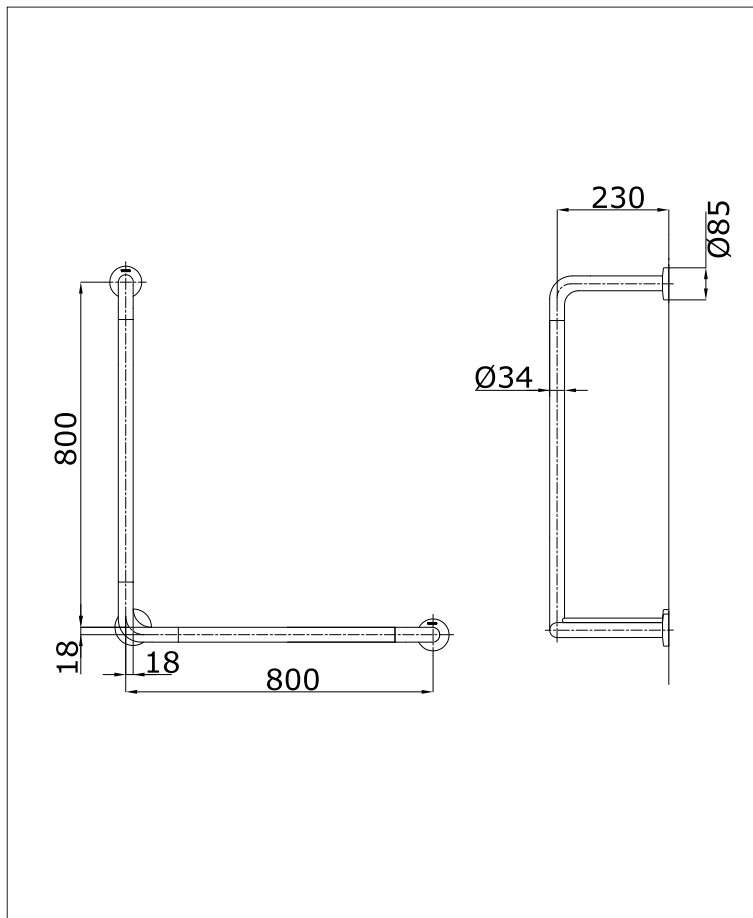
Material : Stainless Steel

Size : 800x800 mm., Ø 34 mm

**P**arts Description● **T113BL11**

L Shape Handrail

without Installation Bolt  
(T110D3R x 3 Pcs.)



Please consult a TOTO representative for details