

## Soap Holder

**S6N**

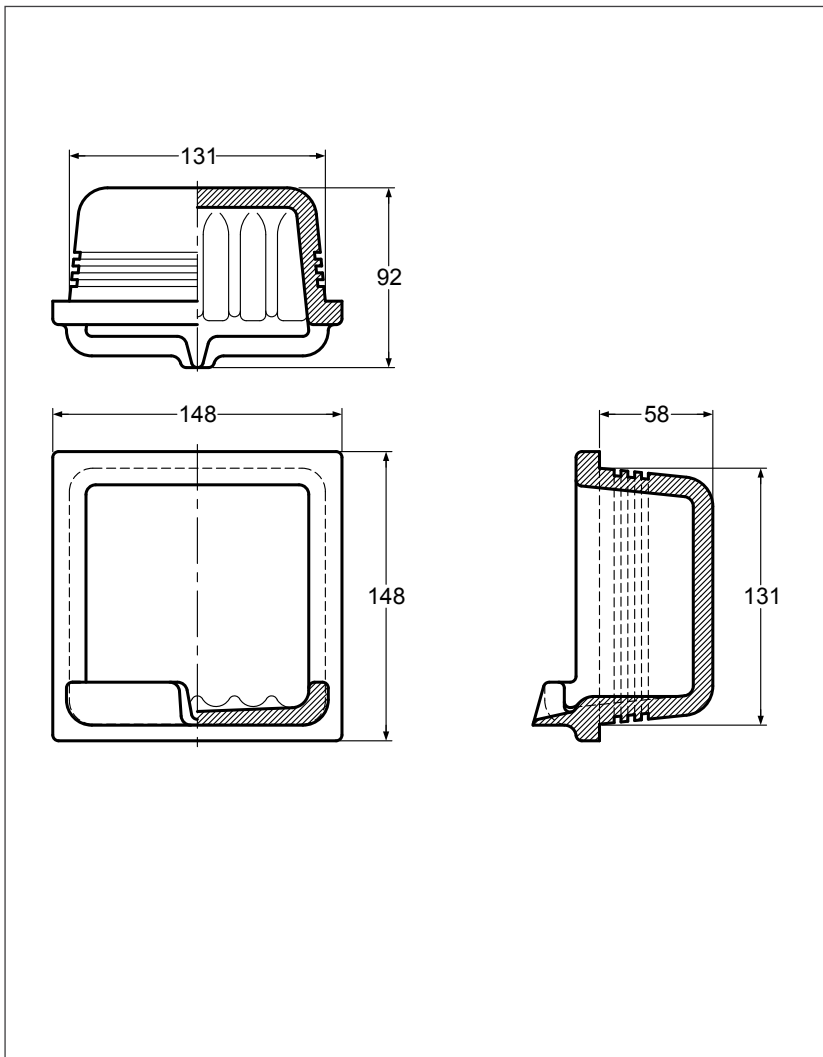


### Features

- Simple Installation, easy to use

### Specifications

Size : 148Wx92Dx148H mm



### Parts Description

- S6N

Recessed Soap Holder

Please consult a TOTO representative for details