

Soap Holder

S163N

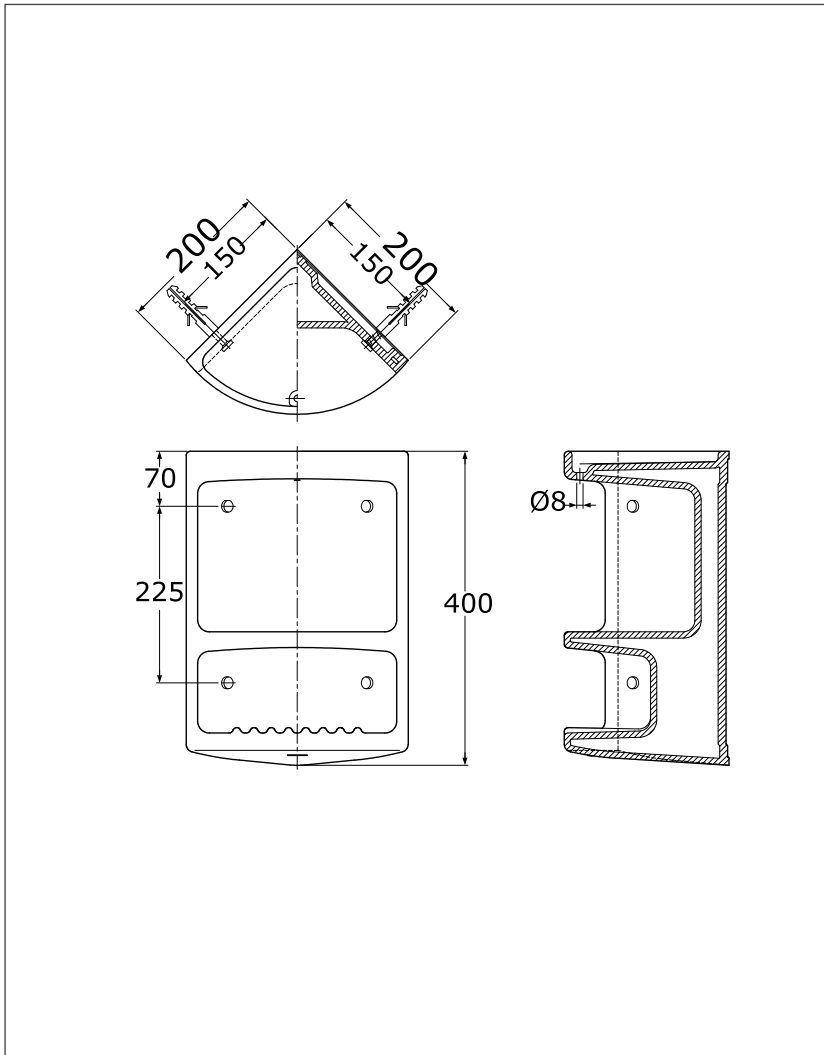


Features

- Simple Installation, easy to use

Specifications

Size : 200x200x400 mm



Parts Description

- S163N

Corner Soap Holder

Please consult a TOTO representative for details