

Soap Holder

S156N



Features

- Simple Installation, easy to use

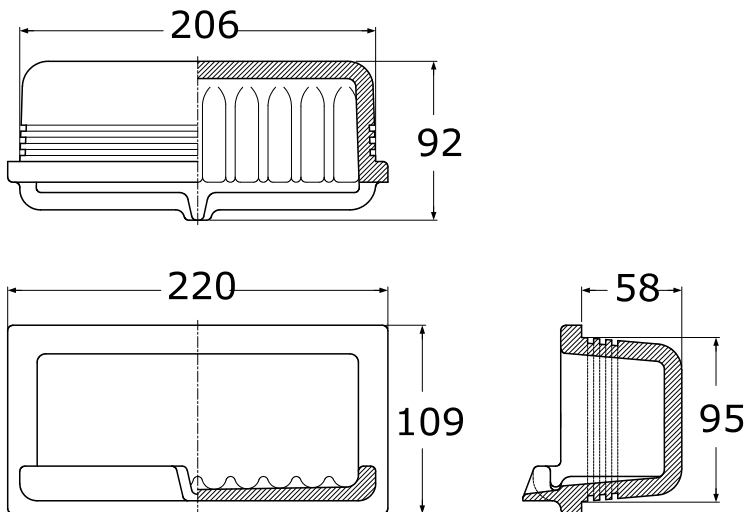
Specifications

Size : 220Wx92Dx109H mm

Parts Description

- S156N

Recessed Soap Holder



Please consult a TOTO representative for details