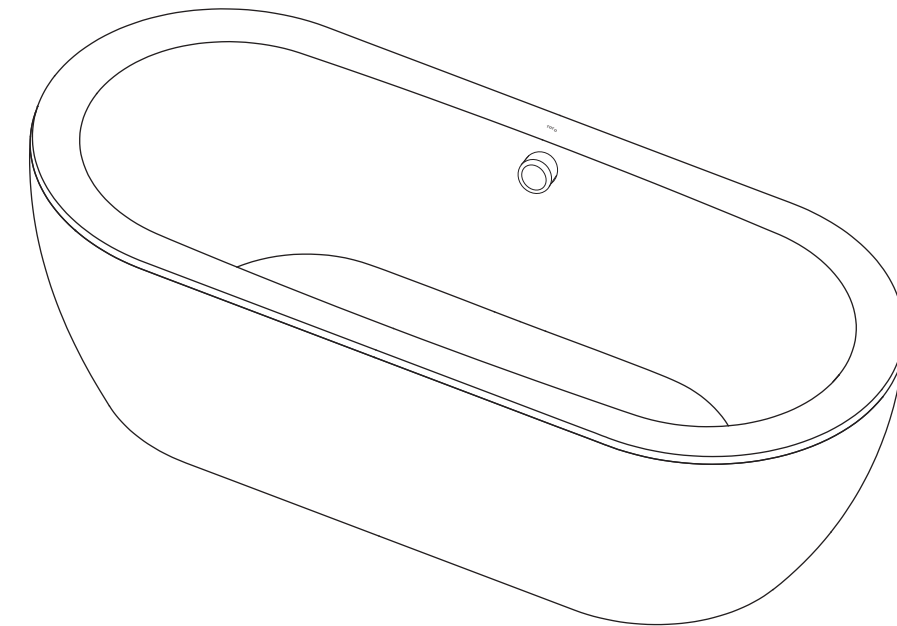


TOTO

Acrylic Bathtub (Free-standing Type)

Please install the product properly, in accordance with the descriptions in this manual so that full use can be made of the product's functions. After installing the product, please tell the customer how to use the product fully.

- Thank you for choosing to use the TOTO ACRYLIC BATHTUB on this occasion.
- Please install the product properly, in accordance with the descriptions in this manual so that full use can be made of the product's functions.
- After completing the construction, please explain the operation to the customer and give this Installation Manual and the accompanying "Instruction Manual" to the customer
Note also: Please be sure to fill in the required items in the warranty.
- Please be aware that the parts numbers listed in the Installation Manual may be revised.

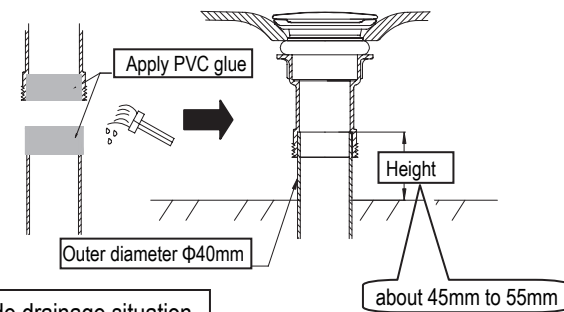


(5)、 Wait 24 hours (put heavy articles on the base plate).

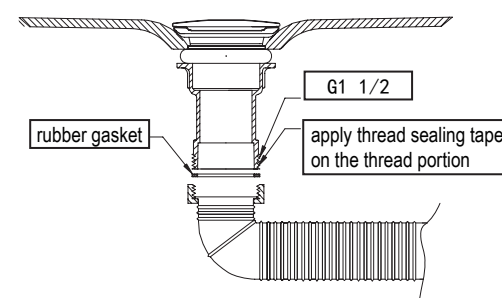
(6)、 Connect the drain pipe of bathtub.

● For direct drainage situation

①、 connect PVC pipe

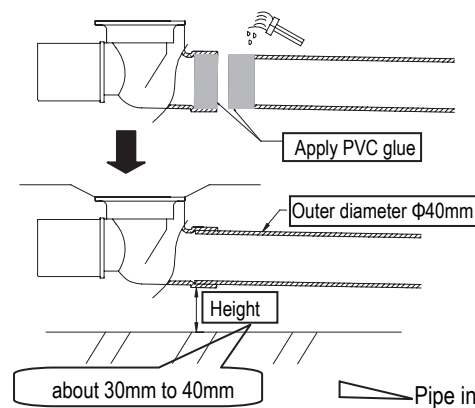


②、 Connect threaded pipe

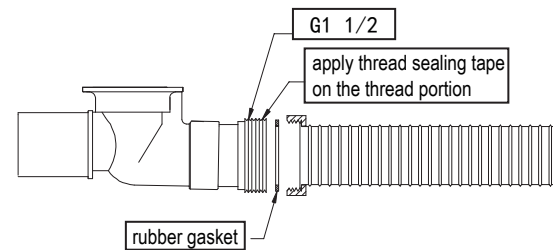


● For side drainage situation

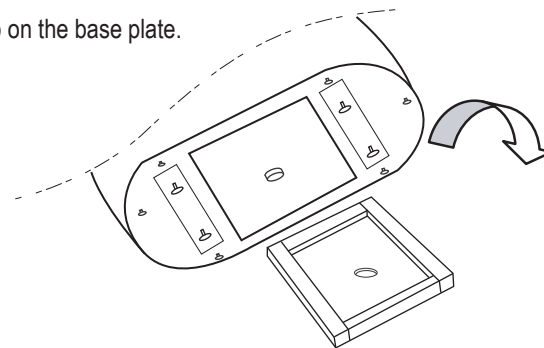
①、 connect PVC pipe



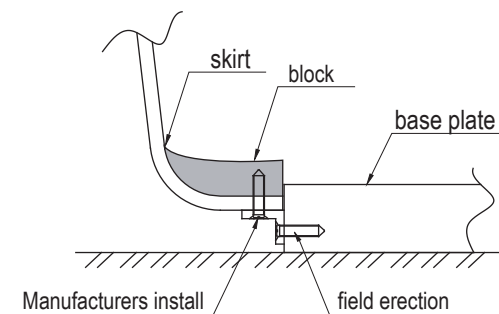
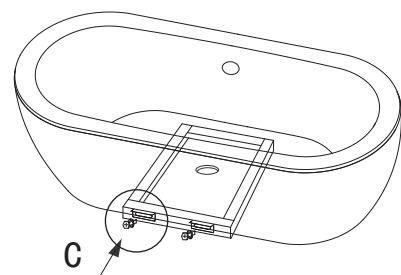
②、 Connect threaded pipe



(7)、 Place bathtub on the base plate.



(8)、 Tighten the fixing hardware.



C、 Cenlarged view

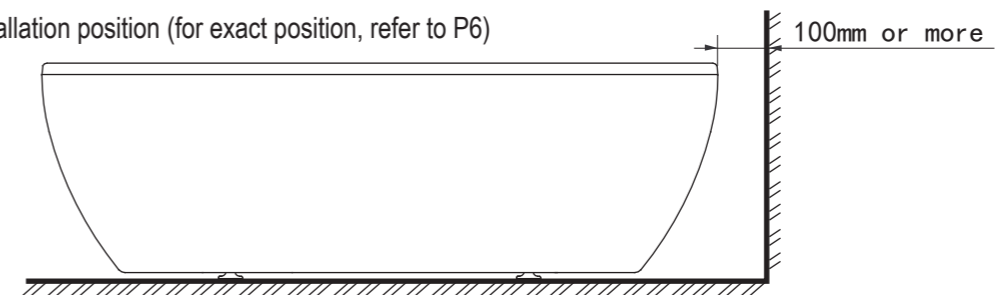
* Attention: After installation of the bathtub, first clean up the floor, clean the bathtub with wiping rag dipped with neutral cleaning agent, and keep the bathtub clean and aesthetic.

1. Important safety instructions	3
2. Construction on the installation point of attention	4
3. List of items	5
4. Specifications, size and outline drawing of bathtub	5-6
5. Installation procedure	7-8
5-1. Preparation before installation	7
5-2. Adjust bathtub to horizontal level	7
5-3. Fix the bathtub and connect drain pipe	7-8

5. Installation procedure

5-1. Preparation before installation

1. Confirm installation position (for exact position, refer to P6)

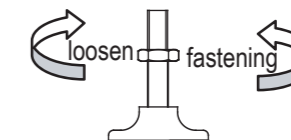
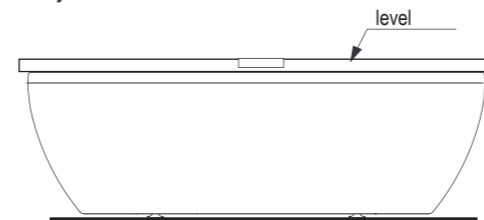


Note: Ensure a space 100mm larger than the external dimensions of the bathtub.

5-2. Adjust bathtub to horizontal level

Adjustment method for supporting foot:

Loosen the nut, adjust the foot to the required position

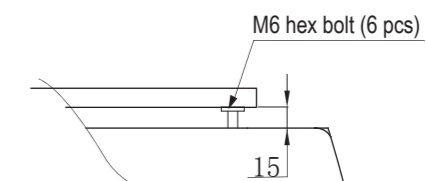
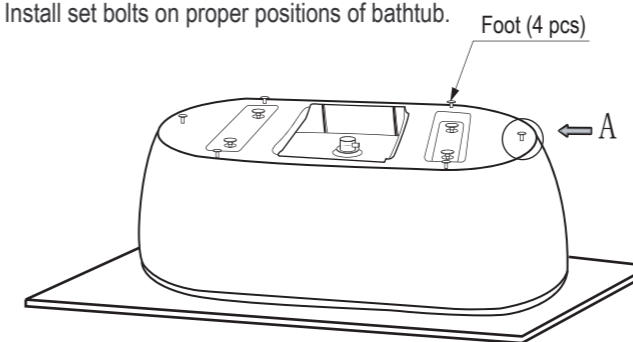


5-3. Fix the bathtub and connect drain pipe

(1). Overturn the bathtub and place it on cardboard.



(2). Install set bolts on proper positions of bathtub.

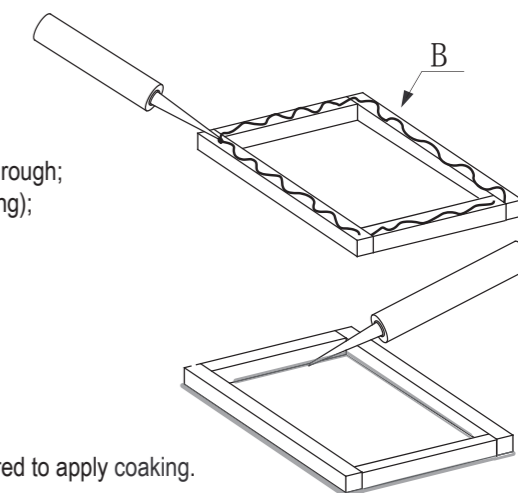


A View (space between bottom of skirt plate, foot and bolting ground: 15mm)

(3). Apply coating on fixing base plate.

Attention: (1). surface roughness of base plate is different, surface B is more rough;
 (2). Surface B should be painted with coating (shown in right drawing);
 (3). Application of coating should be uniform.

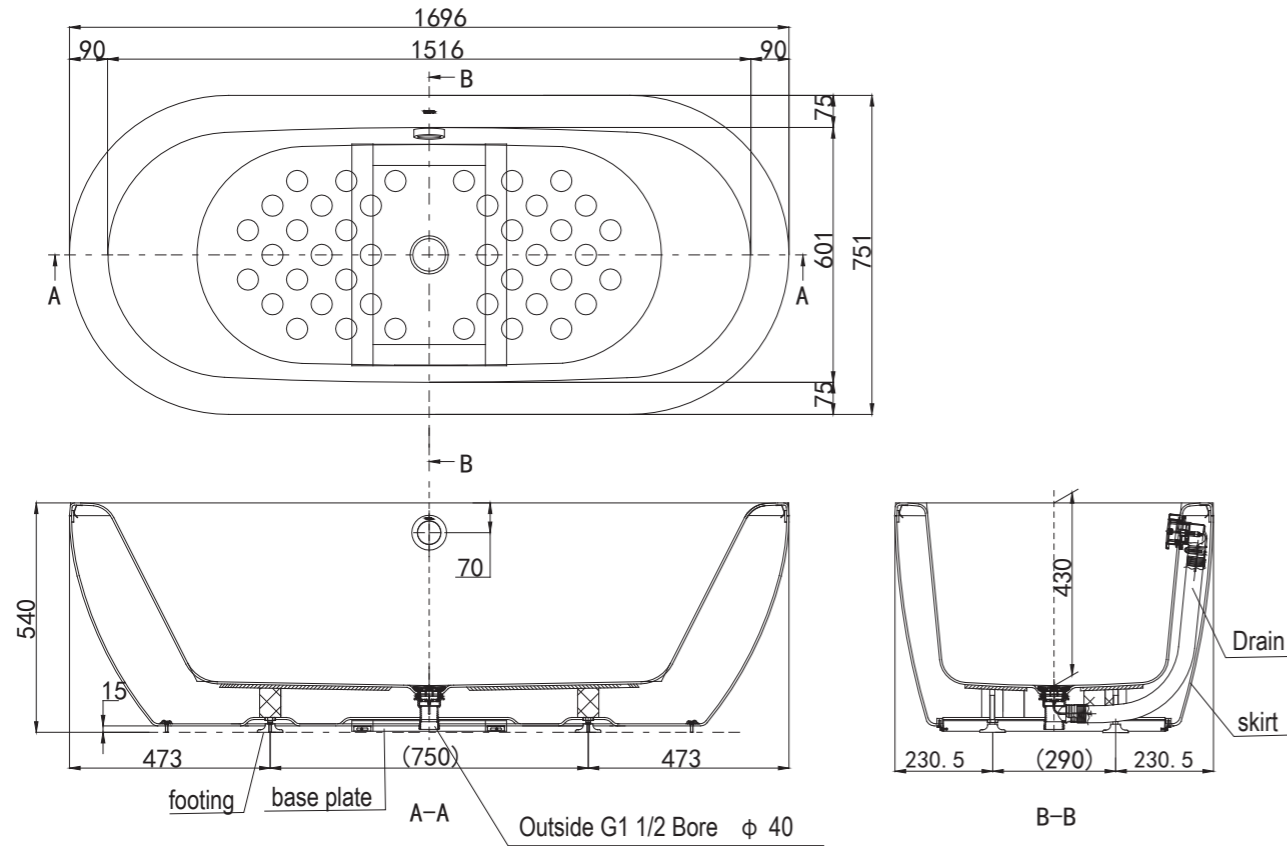
(4). Put the painted surface B downside onto preserved position.



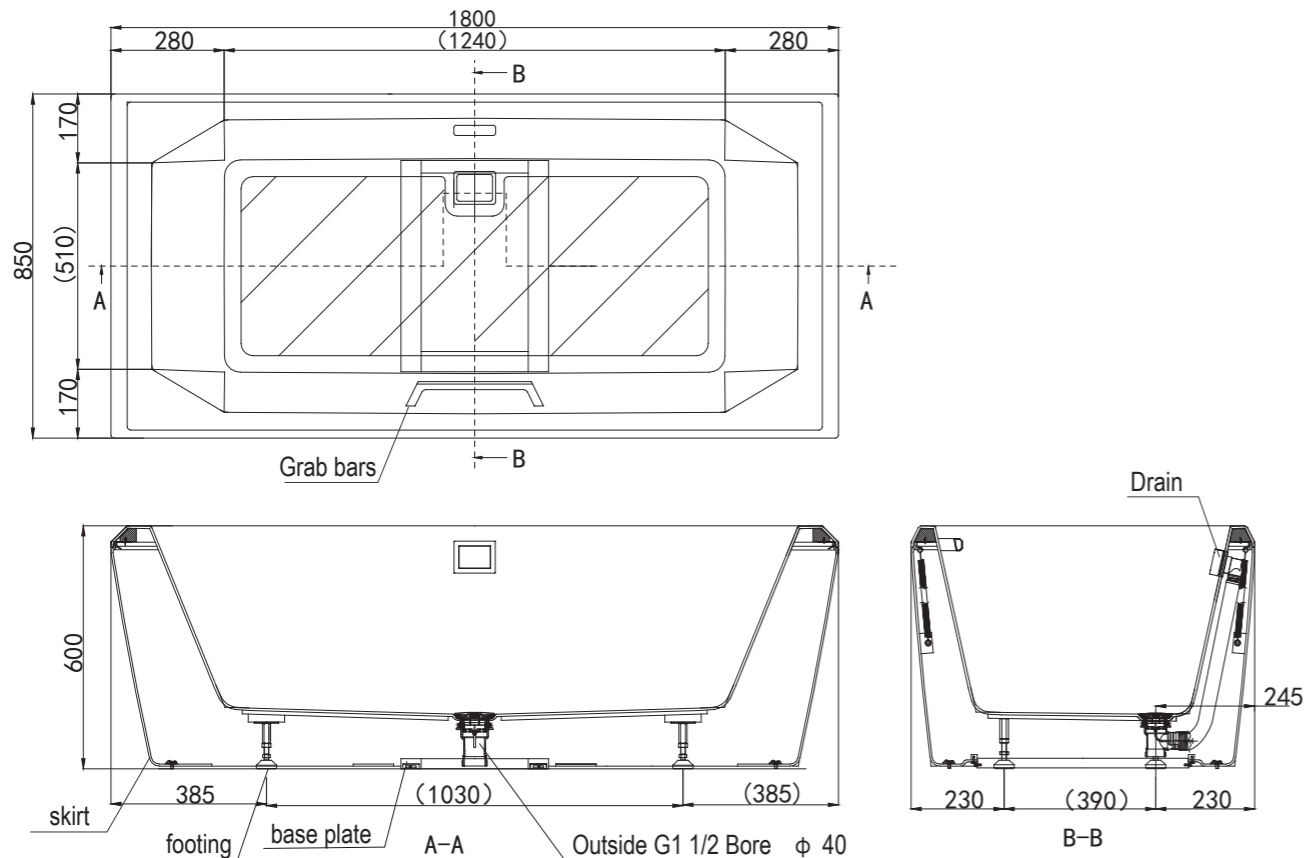
Attention: (1). Before placing the base plate, the ground should be cleaned;
 (2). If corners of base plate are not painted with coating, it is required to apply coating.

(2). Outline drawing of bathtub

PAY1717CPW



PAY1816HPW



1. Important safety instructions

Read and follow all instructions. Save this instruction with your instruction manual.

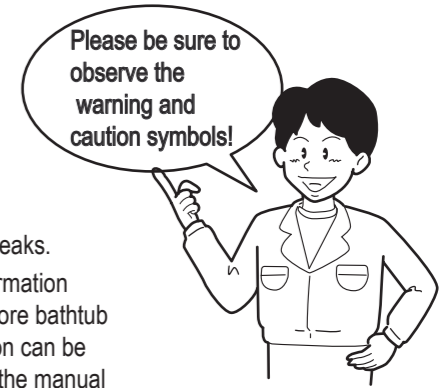
Please read these "Important safety instructions" carefully before beginning the installation work and install the product correctly.

This installation Manual has a number of different symbols intended to allow proper and safe installation of the product, to prevent harm to the end user, to prevent damage to property and to prevent harm to construction workers. These symbols have the following significance.

Symbol	Meaning
Warning	This symbol indicates that errant handling after disregarding this symbol could result in death or serious personal injury.
Caution	This symbol indicates that errant handling after disregarding this symbol could result in personal injury or cause physical damage.

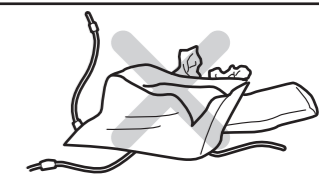
The following symbols can be found in the Installation Manual or on the product and are intended to help the construction worker install the product safely and properly. Please read the descriptions carefully and install the product correctly.

Symbol	Meaning
	Indicates "prohibited" activity that must not take place.
	Indicates "required" activity that must not take place.



After completing the installation, please check for safety problems such as loose fittings or leaks.

The Instruction Manual that is packed with the product is a valuable source of product information to help the end user use the product safely and correctly. Please take good care of it. Before bathtub completely installed into position, drain tool should be firstly installed and further installation can be continued after non-leakage is lost or soiled. After the construction is complete, please give the manual to the end user or the construction superintendent.

Warning	
Always do this	<p>After opening the box, please immediately dispose of unneeded packaging. Wooden frames, nails, cardboard or sealing straps could cause injury. Additionally, children or pets might put vinyl bags over their heads, leading to unanticipated accidents.</p> 
	<p>Always implement the countermeasures for preventing freezing. It is possible that the pipes could freeze, rupturing the pipes or equipment.</p> <p>If installing the product in a location where damage from water leaking from the junction module is anticipated, be sure to waterproof the floor. If there were to be a leak, it could damage the floor or floors below.</p>
Prohibited	<p>Use no water other than standard tap water. The use of well water could cause corrosion, which could lead to leaks.</p> <p>Cement is absolutely not allowed to be used to erect bathtub. Otherwise it may cause crack of bathtub.</p> <p>The sticking of fittings such as inlet pipe and drain pipe etc. shall be solid. Otherwise it may cause water leakage.</p>

2. Construction On The Installation Point Of Attention.



Warning

 Always do this	<p>Install the product securely, in accordance with the Installation Manual. Improper installation can cause leaks that damage or ruin household property.</p>	
	<p>Install the drainage pipes securely, in accordance with the procedure. Improper installation could lead to leaks that damage or ruin household property.</p>	
	<p>Ensure that there is no abnormal condition before erecting bathtub.</p>	
	<p>Paper plate should be used for protecting bathtub prior to finishing construction. Otherwise damage may be caused.</p>	
 Prohibited	<p>Improper installation could lead to leaks that damage or ruin household property. Otherwise poor drainage may be caused or family property be contaminated by water leakage.</p>	
	<p>Do not drop or strike the bathtub with hard objects. Doing so could crack or scratch the bathtub or cause leaks that damage or ruin household property</p>	
	<p>Do not stand on bathtub while working. Doing so could cause one to slip and fall or could otherwise damage the product.</p>	
	<p>When cleaning, chemicals such as acid, alkaline and organic solvent as well as acid and alkali cleaner is forbidden, otherwise product surface may be damaged. When cleaning, water or neutral cleaner is recommended for use. Cleaning cloth dipped with a little alcohol can be used for removing smudge when water or neutral cleaner failed to removing smudge</p>	
	<p>Burning objects, please do not put on the bathtub. Otherwise damage may be caused.</p>	
	<p>On the back of bathtub mortar is forbidden to be used for filling and burying. Otherwise damage may be caused.</p>	

3. List of items

NAME	NO.	PATTERN	REMARK
Bathtub	1		special drain hardware has been arranged
Base plate	1		for fixing bathtub
ST4.2*35mm	4		for fixing bathtub
Installation Instructions, Operation Instructions (attached with Letter of Guarantee)	1、1		Packed in A4 plastic bag
Side drain	1		Packed in A4 plastic bag

4. Specifications, size and outline drawing of bathtub

(1). Specifications and size of bathtub

NAME	SIZE (mm)	WEIGHT (Kg)	HEIGHT (L)	
PAY1717CPW	1696*751*540	30.6	220	Drain hardware: Included push drain Material: acrylic and others Standard (QB): equal to or higher than China Light Industry Standard
PAY1816HPW	1800*850*600	48	286	Hydromassage Bathtub (QB2585-2003) Color: White