

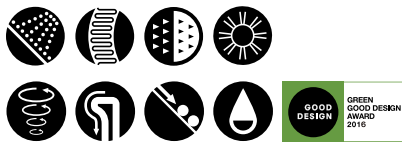


Features

- Modern & luxury design
- Stain Resistant, Easy-to-clean Surface with CEFIONTECT Technology
- TORNADO FLUSH System, WATER SAVING (4.5/3L)
- Fully equipped with comfortable rear, and front cleansing functions
- Adjustable WARM AIR DRYING
- HEATED SEAT with temperature control
- Auto powerful DEODORIZER activates after every usage

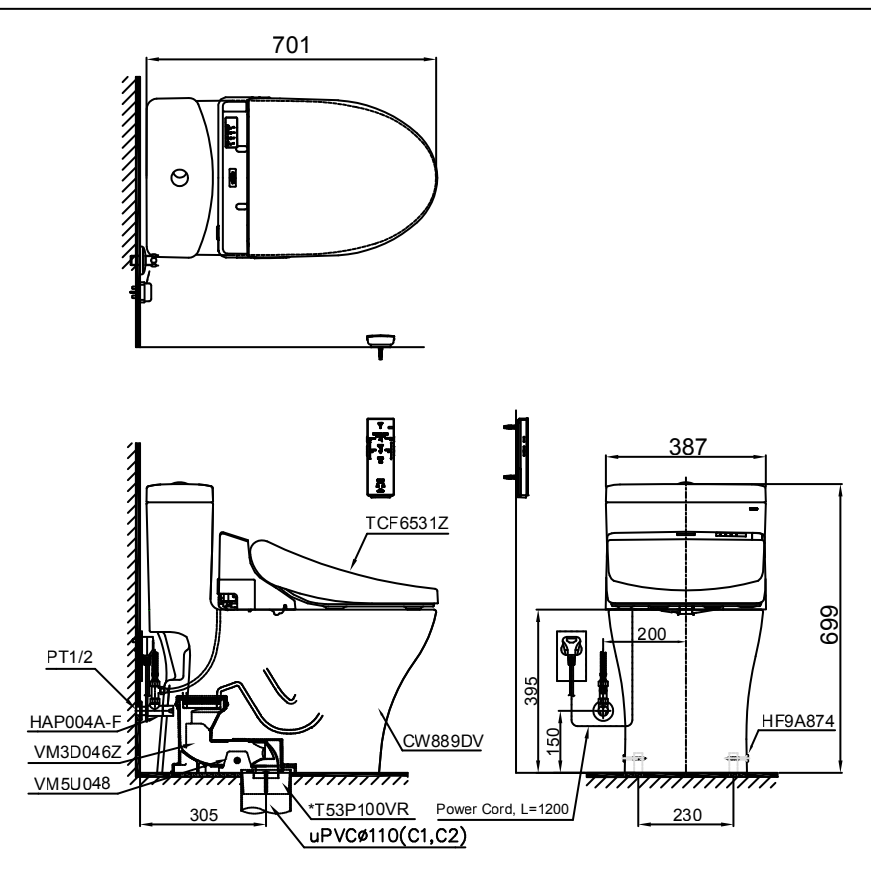
Specifications

- Flush System : TORNADO
 Water Use : 4.5 / 3 L
 Bowl Shape : Elongated
 Rough-in : 305 (mm)
 Water Pressure : 0.05Mpa~0.75Mpa
 Seat & Cover : **TCF6531Z**
 Power Rating : 220~240V , 50/60Hz ,
 264~309 W



Colors

White



Please consult a TOTO representative for details