

Paper holder

YH116


- **Request to the contractor**
Please install the product correctly in accordance with the instructions in this instruction manual.
After installation, enter your shop name and the date of installation in the warranty, and then be sure to hand over this instruction manual to the customer.
- **Request to the customer**
Please read this instruction manual carefully and use the product correctly.
As this instruction manual contains a warranty, please keep it carefully.





Safety Precautions (Be sure to observe these instructions.)

Please read these "Safety Precautions" carefully before use, and use the product correctly.



- After reading, keep this instruction manual in a place where users can read it anytime.
- This instruction manual shows various symbols to correctly and safely use the product in order to prevent harm to you and other people, and damage to property. The meanings of those symbols are as follows:

- The following symbols are used to classify and explain instruction that must be followed.

Symbol	Meaning
 CAUTION	When this appears next a topic, this indicates that ignoring this symbol and mishandling the product could result in injury or property damage alone.





	The  symbol indicates something that is "Prohibited." The symbol on the left indicates "Do not disassemble."
	The  symbol indicates something that "Must be implemented." The symbol on the left indicates "Required."

Caution about installation

 CAUTION	 Required	Use a plywood sheet that is 12 mm or more in thickness on the mounting surface. Failure to do so could cause the installed product to be unstable and drop, and may result in injury.
		When the mounting surface is a thin wall, mount a reinforcing wooden block that is 30 mm or more in thickness before installation. Failure to do so could cause the installed product to be unstable and drop, and may result in injury.
		When the mounting surface is a concrete base, use TOTO-designated fixing bracket [Part No. T110D28 Resin Plug 20 pieces ($\phi 6 \times 30$, prepared hole: $\phi 6$)] or commercially available plugs for concrete, which is suitable for the mounting screws. Failure to do so could cause the installed product to be unstable and drop, and may result in injury.
		Use the supplied wall-mounting screws for installation. Failure to do so could cause the installed product to be unstable and drop, and may result in injury.
		Make sure that the product has no backlash after the installation is complete. If the product has backlash, it could come off or the wall could collapse, which could result in user's fall and injury.

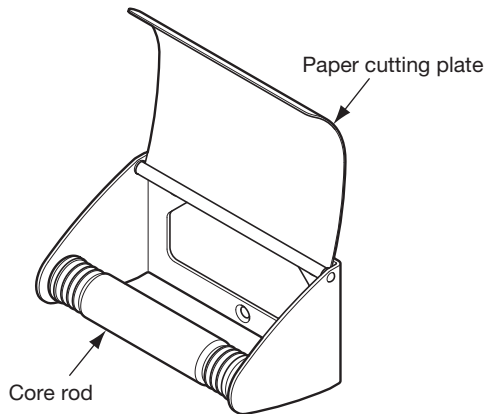
Request about installation If the wall has uneven areas, use spacers (such as flat washers) to secure a flat surface.

Caution about use

 CAUTION	 Do not disassemble	Do not disassemble the items other than those described in this manual. Doing so could cause the product to be broken.
	 Prohibit	Do not hang from or lean on the parts of the product. Doing so could cause the installed product to be unstable and drop, and may result in injury.
	 Required	Do not put a heavy object other than toilet paper rolls on the core rod. Doing so could cause the installed product to be unstable and drop, and may result in injury.
		If the product has any abnormality such as backlash during use, stop using it immediately and contact the installation service shop, sales shop to receive inspection. Failure to do so could cause the product to fall and may result in injury.

Request about use In the case of paper rolls with tube, which is $\phi 120$ mm or less in outside diameter and 114 mm in width, use ones of $\phi 38$ mm in inside diameter. You can use paper rolls without tube if they are $\phi 32$ to 38 mm in inside diameter.

Names of Parts



Fixing Bracket (Optional Part)

<Fixing bracket list>

Part No.	T110D28
Name	Resin plug
Shape	φ6x30
Quantity	20 pieces

Preparation for Installation

CAUTION

- Use a plywood sheet that is 12 mm or more in thickness on the mounting surface. Failure to do so could cause the installed product to be unstable and drop, and may result in injury.
- When the mounting surface is a thin wall, mount a reinforcing wooden block that is 30 mm or more in thickness before installation. Failure to do so could cause the installed product to be unstable and drop, and may result in injury.
- When the mounting surface is a concrete base, use TOTO-designated fixing bracket [Part No. T110D28 Resin Plug 20 pieces (φ6 x 30, prepared hole: φ6)] or commercially available plugs for concrete, which is suitable for the mounting screws. Failure to do so could cause the installed product to be unstable and drop, and may result in injury.

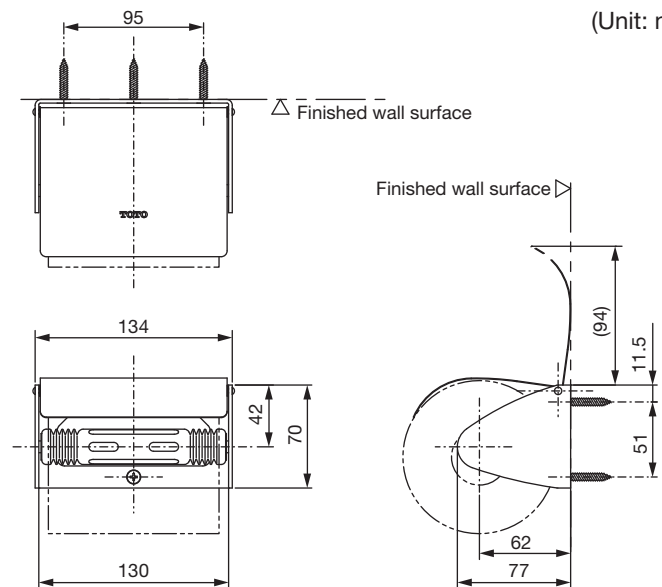
Checking the Accessories

- Make sure that you have the following parts:

Accessory parts	
Wall-mounting screw (flat head tapping screw φ4.5 x 30)	3 pieces

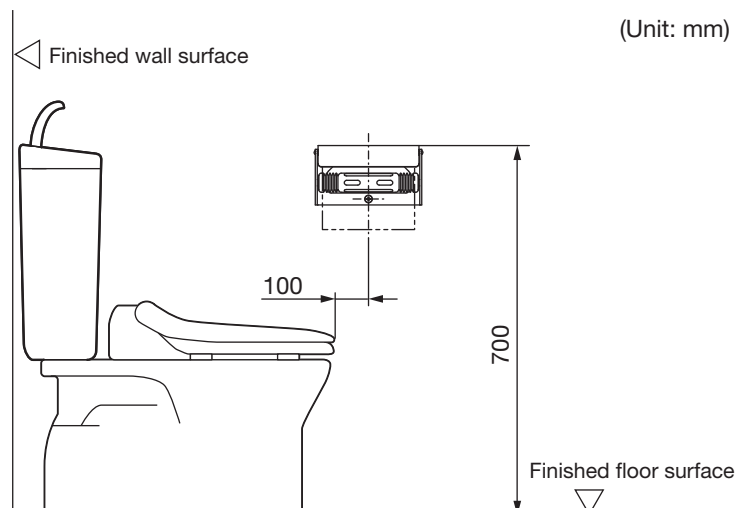
Product Dimensions

(Unit: mm)



Mounting Position

(Unit: mm)



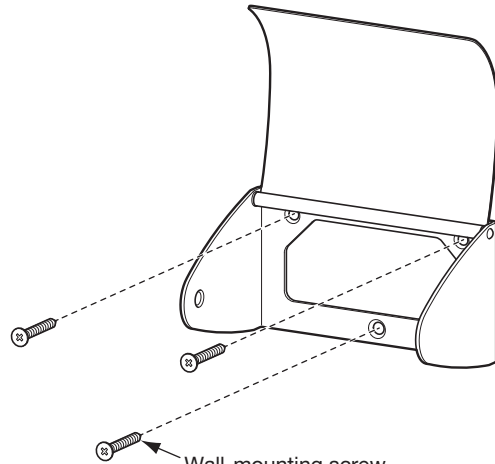
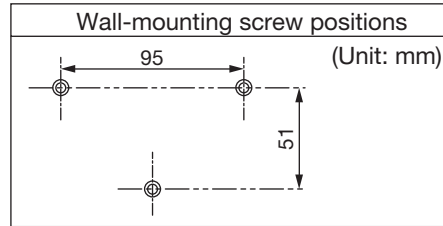
Mounting Method

- ① Mark hole positions in such a way that the product is placed vertically.
- ② Make prepared holes and fix the product using 3 supplied wall-mounting screws (flat head tapping screw $\phi 4.5 \times 30$).

CAUTION

- Use the supplied wall-mounting screws for installation.
Failure to do so could cause the installed product to be unstable and drop, and may result in injury.
- Make sure that the product has no backlash after the installation is complete.
If the product has backlash, it could come off or the wall could collapse, which could result in user's fall and injury.

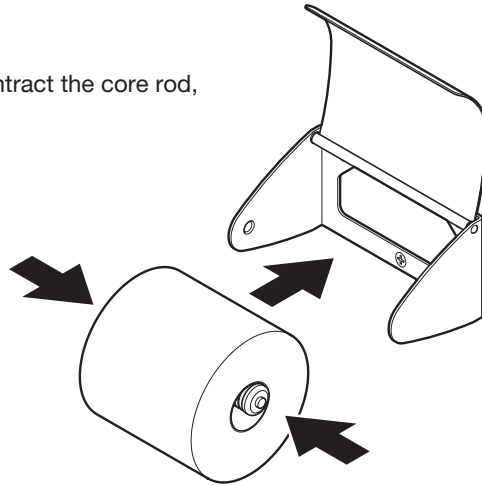
*If the wall has uneven areas, use spacers (such as flat washers) to secure a flat surface.



Wall-mounting screw
(flat head tapping screw $\phi 4.5 \times 30$): 3 pieces

How to Use

- How to set paper rolls
 - ① Lift the paper cutting plate.
 - ② Put the core rod through the paper roll, push-contrast the core rod, and set the paper roll on the paper holder.
 - ③ Lower the paper cutting plate.



Cleaning Method

Normal cleaning

- After wetting a cloth with water or lukewarm water, wring it out thoroughly and then use it to wipe the product.

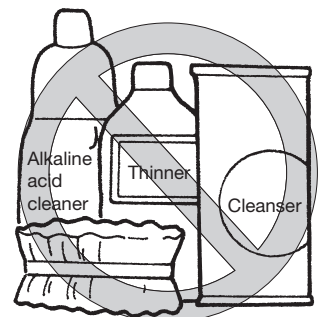
Cleaning when the product is very dirty

- Wipe with a cloth dampened with appropriately-diluted neutral detergent, and then wipe with a cloth dampened with water. After that, wipe off moisture clean with a dry cloth.

Precautions for cleaning

Do not use the following things that can damage the surface of the product.

- Acid cleaner, alkaline cleaner, and chlorine bleach
- Solvents such as thinner and benzene
- Cleaners containing rough particles such as cleanser and polishing powder
- Nylon scrubbing brush, other brushes, etc.



★To customer

Please contact the sales shop for replacement parts and warranty.