

Wall Hung Urinal



UW447JT1W/F

Features

- Compact design with privacy shields
- Powerful washdown flushing action
- Integral trap
- Easy and flexible installation

Specifications

Size : 444x356x685 mm.

Water Pressure : 0.07~0.75MPa

Parts description

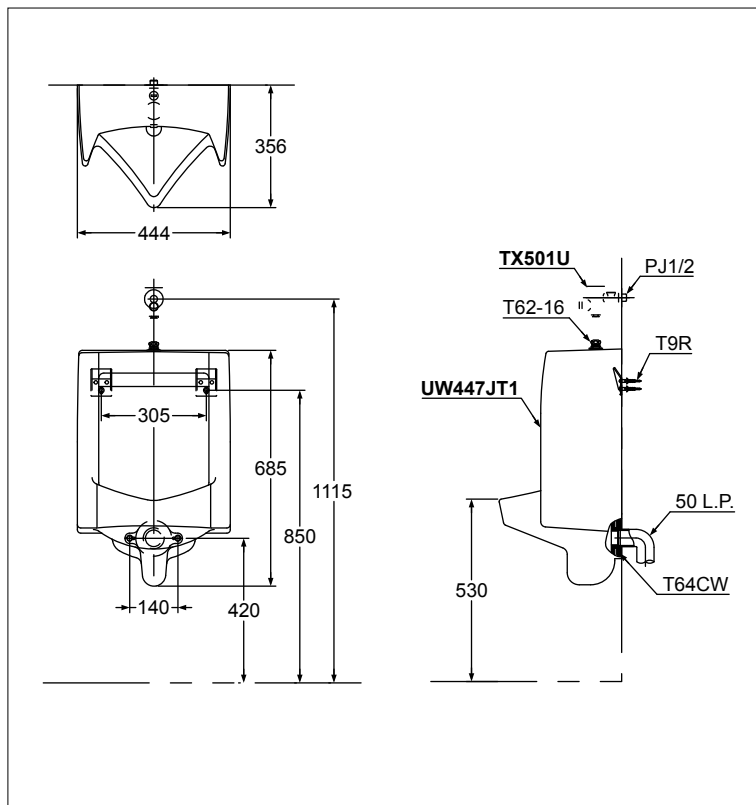
Flush Valve and Fittings
not included

● UW447JT1

Wall Hung Urinal Top Inlet Type

Optional Parts

- T62-16
Inlet Spud
- T64CW
Wall Flange
- T9R
Hangers & Screws



Colors

White

Please consult a TOTO representative for details