

TOTO

URINALS

Wall Hung Urinal
with Built-in Sensor

USWN925AS



Features

- Compact design with privacy shields
- CEFIONTECT technology: super smooth, ion barrier glazing for a clean urinal
- WATER SAVING effect with powerful flushing action
- Integral trap
- EWATER+ type available

Specifications

Water Use : 0.5 L

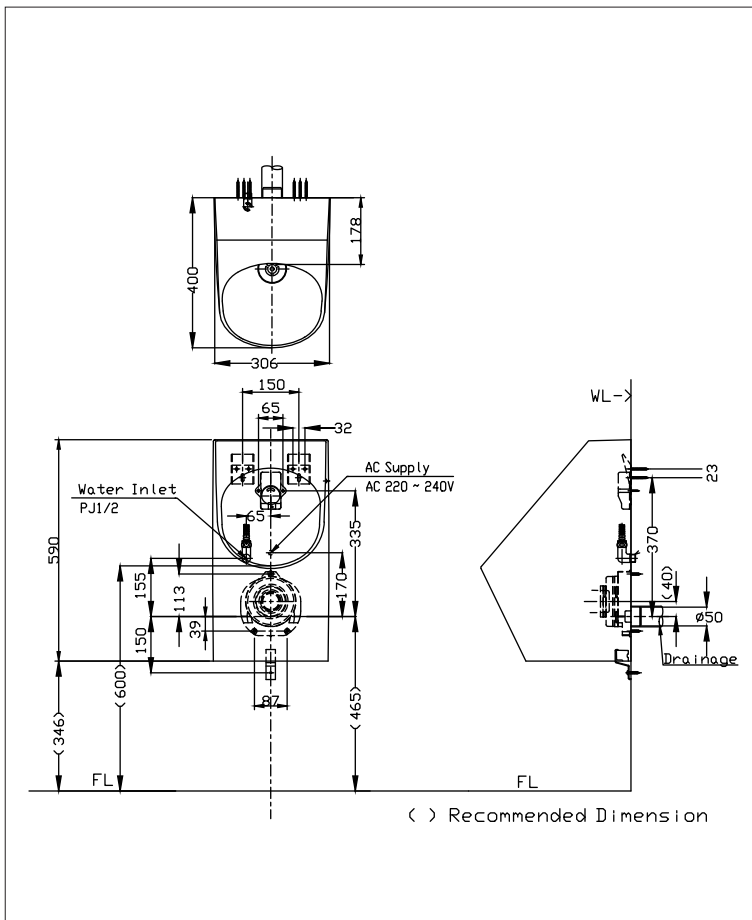
Size : 306X400X590 mm

Water Pressure : 0.07MPa~0.75MPa

Parts description

● USWN925AS

Wall Hung Urinal Back Inlet Type
with Built-in Sensor and
EWATER+ feature
AC 220V Operated



Colors

White

Please consult a TOTO representative for details