

# TOTO

# URINALS

Wall Hung Urinal  
with Built-in Sensor

## USWN925AE



## Features

- Compact design with privacy shields
- CEFIONTECT technology: super smooth, ion barrier glazing for a clean urinal
- WATER SAVING effect with powerful flushing action
- Integral trap

## Specifications

Water Use : 0.5 L

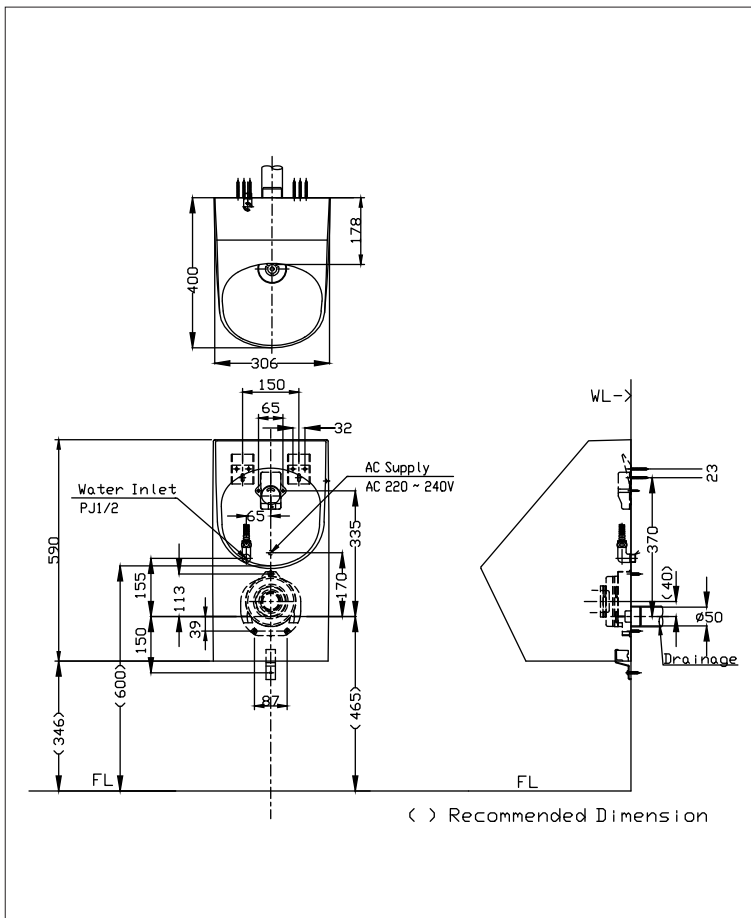
Size : 306X400X590 mm

Water Pressure : 0.07MPa~0.75MPa

## Parts description

### ● USWN925AE

Wall Hung Urinal Back Inlet Type  
with Built-in Sensor  
AC 220V Operated



## Colors

White

Please consult a TOTO representative for details