

Wall Hung Urinal
with Built-in Sensor

USWN900A



Features

- Compact design with privacy shields
- Universal low lip design - easy approach for young children
- CEFIONTECT technology: super smooth, ion barrier glazing for a clean urinal
- WATER SAVING effect with powerful flushing action
- Integral trap

Specifications

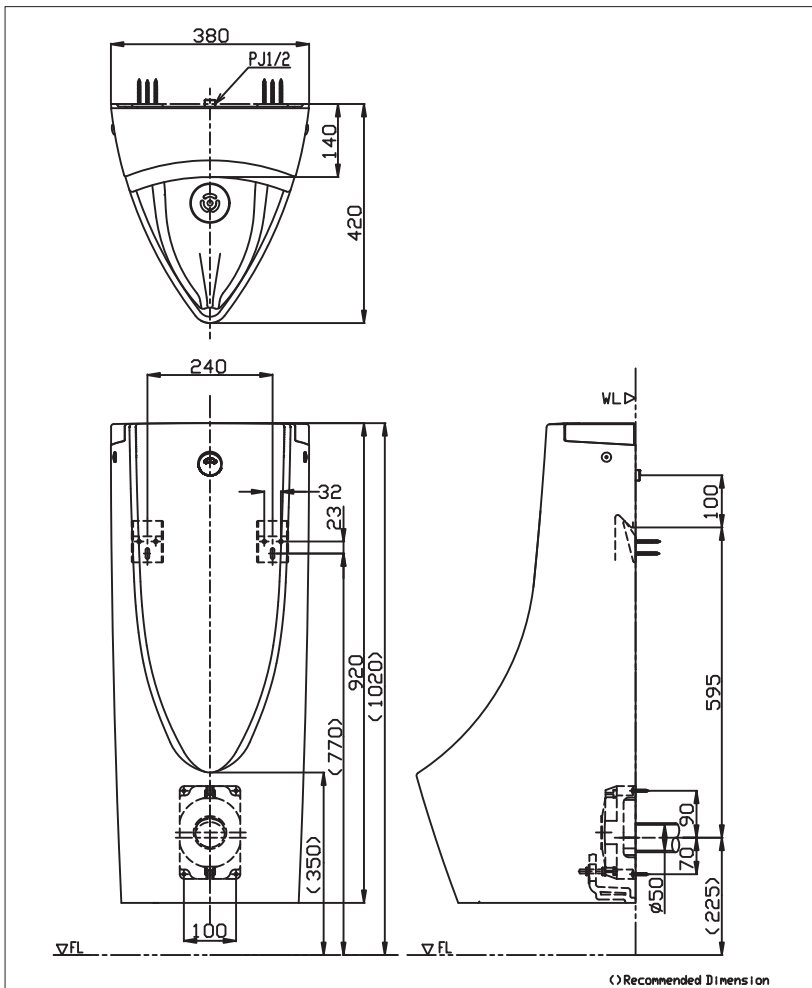
Water Use : 0.5 L

Size : 380X420X920 mm

Water Pressure : 0.07MPa~0.75MPa



DESIGN
AWARD
2021



Parts description

● USWN900A

Wall Hung Urinal Back Inlet Type
with Built-in Sensor
Battery Operated

Colors

White

Please consult a TOTO representative for details