



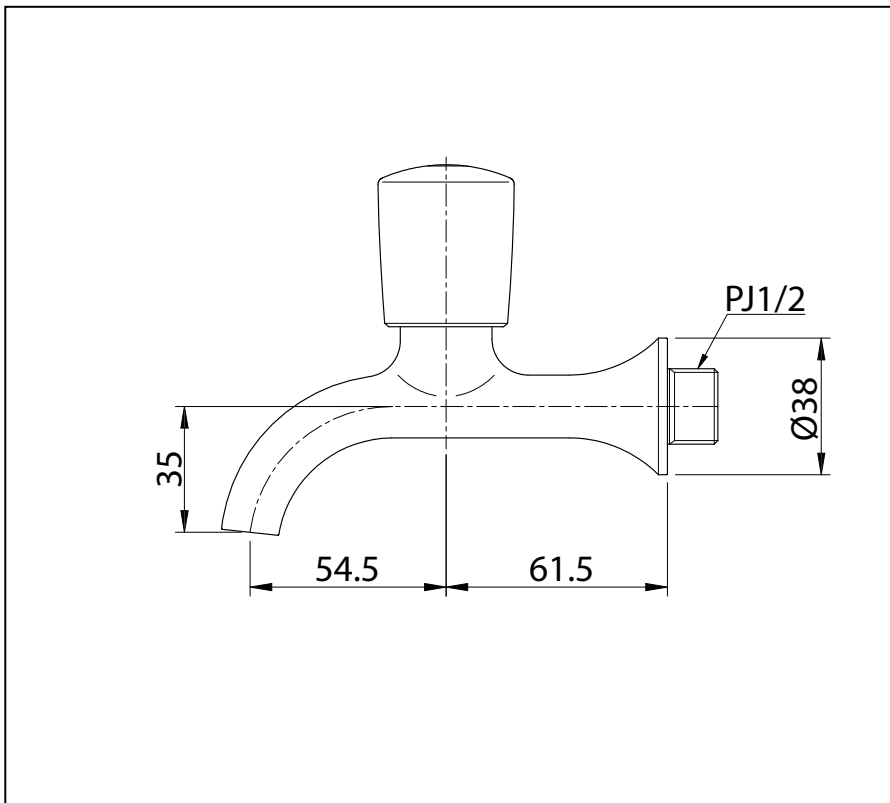
Features

- Durable finishes
- Brass valve bodies

Specifications

Water Pressure	: 0.05MPa - 0.75MPa
Material	: Brass
Finish	: Nickel Chrome

Drawing:



Parts description

- **TX130L**
Sink Tap

Please consult a TOTO representative for details