



Features

- Durable finishes
- Brass valve bodies

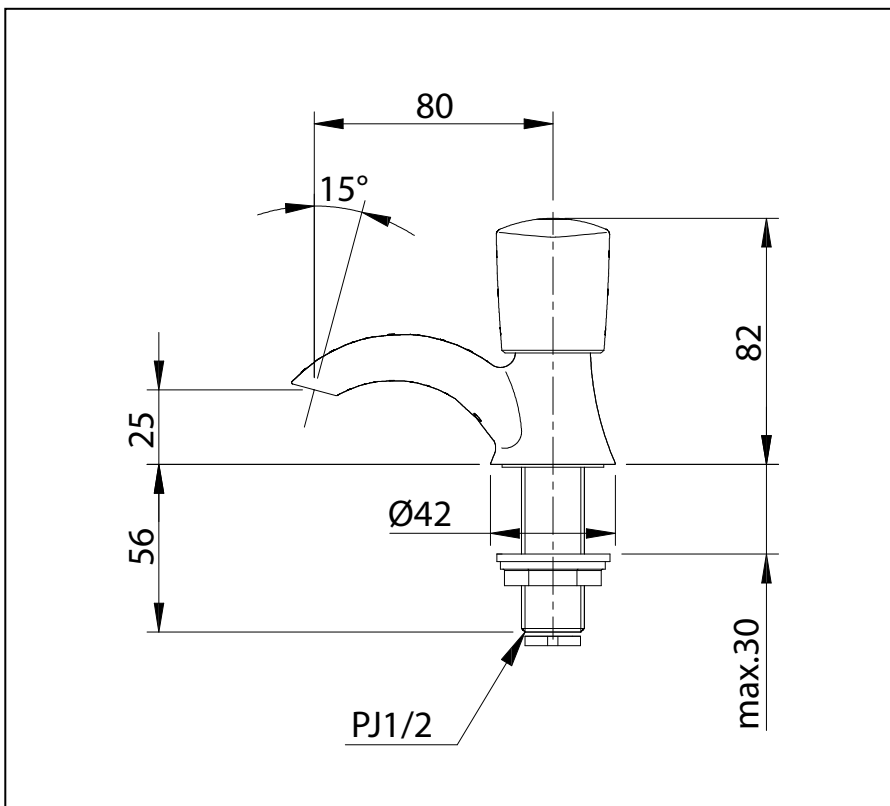
Specifications

Water Pressure	: 0.05MPa - 0.55MPa
Material	: Brass
Finish	: Nickel Chrome
Flow Rate	: 5 L / min

Parts description

- **TX129LR**

Lavatory Faucet (Cold Water)



Please consult a TOTO representative for details