

RUFICE
Wall Mounted Lavatory Faucet

TTLR304K



Features

- New design of modern elegance
- Durable finishes
- Smooth operation with lever type

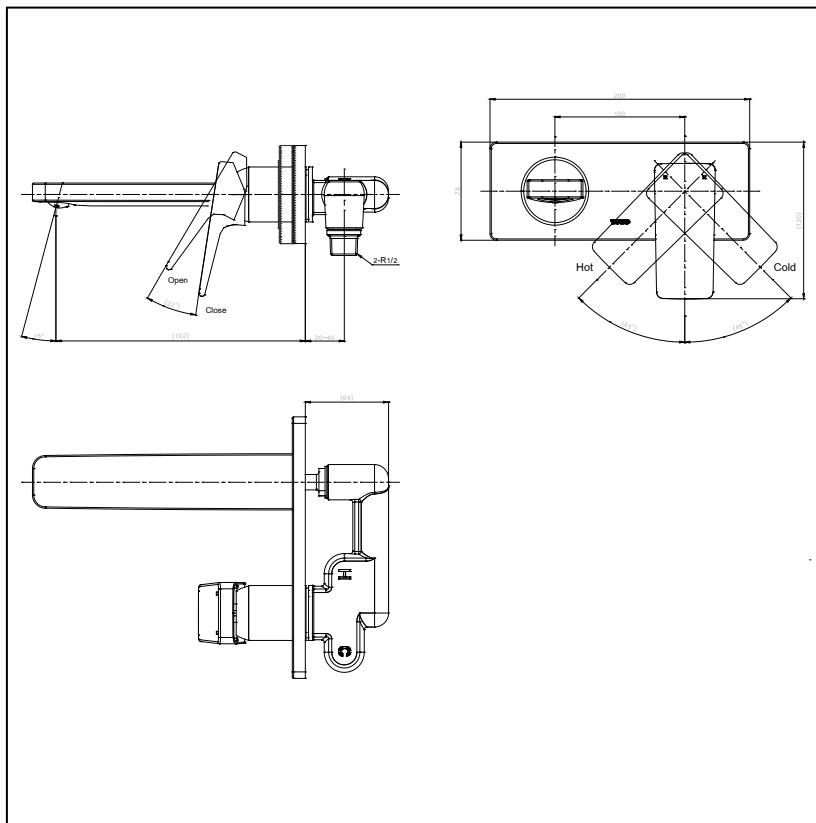
Specifications

Water Pressure : 0.05MPa - 0.75MPa
 Finish : Nickel Chrome
 Material : Brass
 Flow Rate/ : <6L/min @0.1MPa.
 Water usage

Parts description

- **TTLR304K**

Wall Mounted Lavatory Faucet



Remarks:

Please result TOTO sales representative for detail.