

RUFICE
Single Lever Lavatory Faucet
(w/ Pop-up Waste)



Features

- New design of modern elegance
- Durable finishes
- Smooth operation with lever type

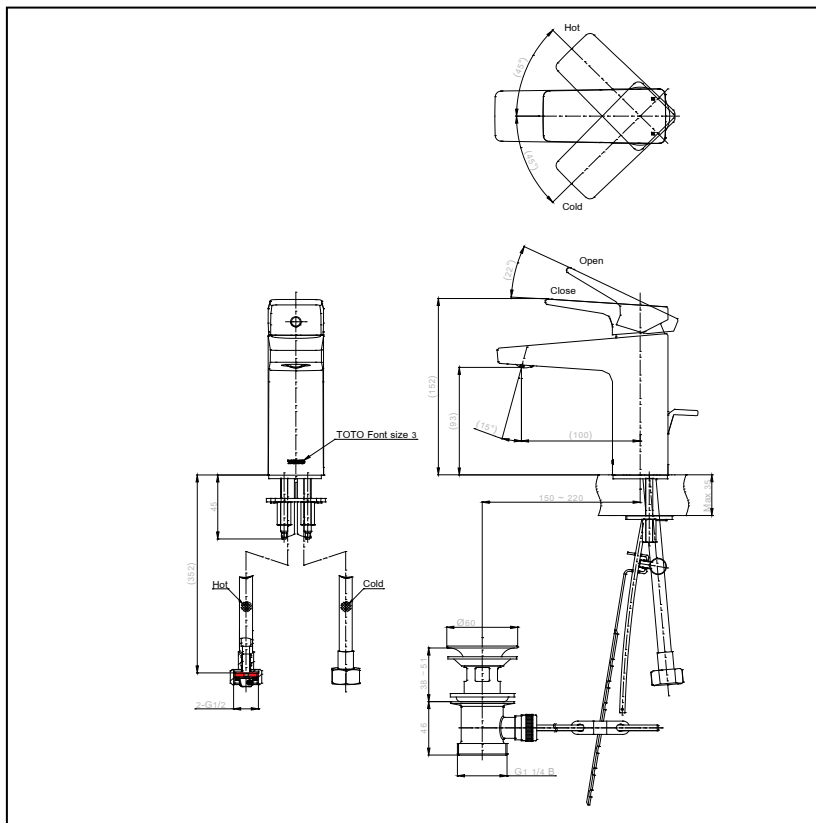
Specifications

Water Pressure : 0.05MPa - 0.75MPa
 Hole : 1 Hole
 Finish : Nickel Chrome
 Material : Brass
 Flow Rate/ : <6L/min @0.1MPa.
 Water usage

Parts description

● TTLR303FK-1

Single Lever Lavatory Faucet with
Pop-Up Waste



Remarks:

Please result TOTO sales representative
for detail.