

RUFICE
Single Lever Lavatory Faucet
(w/o Pop-up Waste)



Features

- New design of modern elegance
- Durable finishes
- Smooth operation with lever type

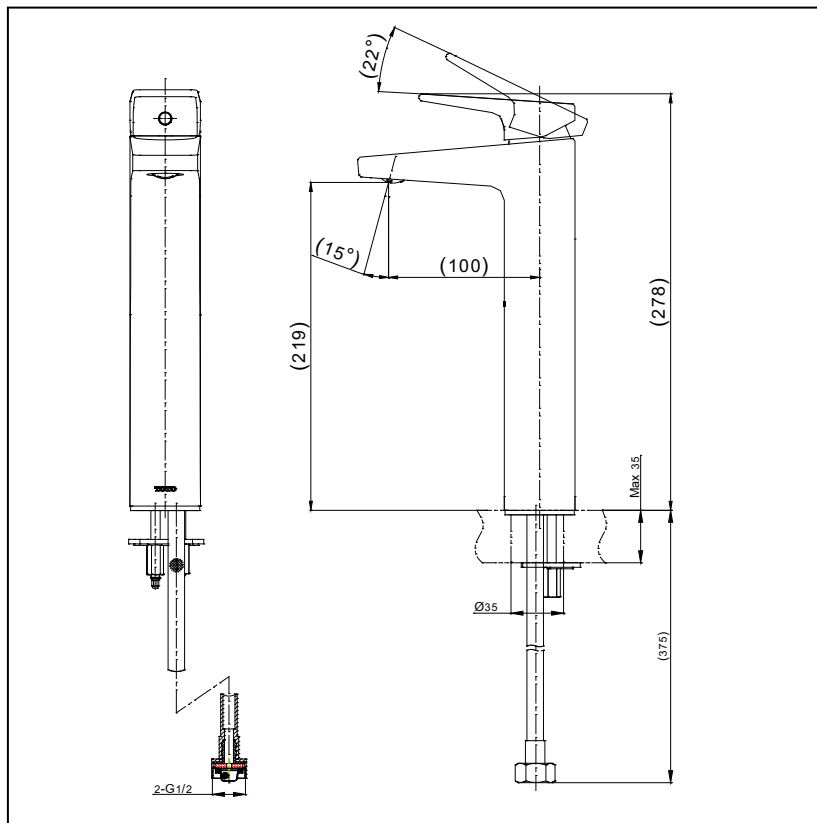
Specifications

Water Pressure	: 0.05MPa - 0.75MPa
Hole	: 1 Hole
Finish	: Nickel Chrome
Material	: Brass
Flow Rate/	: <6L/min @0.1MPa.
Water usage	

Parts description

- **TTLR105FVK**

Extended Single Lever Lavatory
Faucet without Pop-Up Waste
(Cold Water)



Remarks:

Please result TOTO sales representative
for detail.