

## RUFICE

Single Lever Lavatory Faucet  
(w/o Pop-up Waste)

# TTLR105FK



## Features

- New design of modern elegance
- Durable finishes
- Smooth operation with lever type

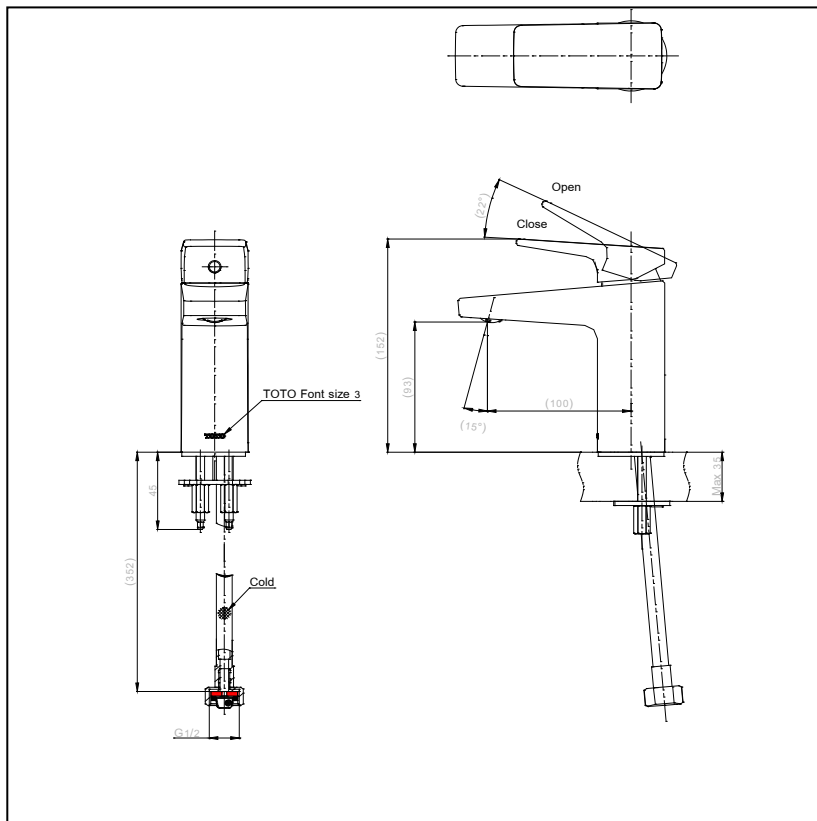
## Specifications

Water Pressure : 0.05MPa - 0.75MPa  
 Hole : 1 Hole  
 Finish : Nickel Chrome  
 Material : Brass  
 Flow Rate/ Water usage : <6L/min @0.1MPa.

## Parts description

### ● TTLR105FK

Single Lever Lavatory Faucet without Pop-Up Waste (Cold Water)



### Remarks:

Please result TOTO sales representative for detail.