

CRES

Lavatory Faucet



Features

- Sharp-lined smart design exclusively for CRES series
- Durable finishes
- Smooth operation with lever type

Specifications

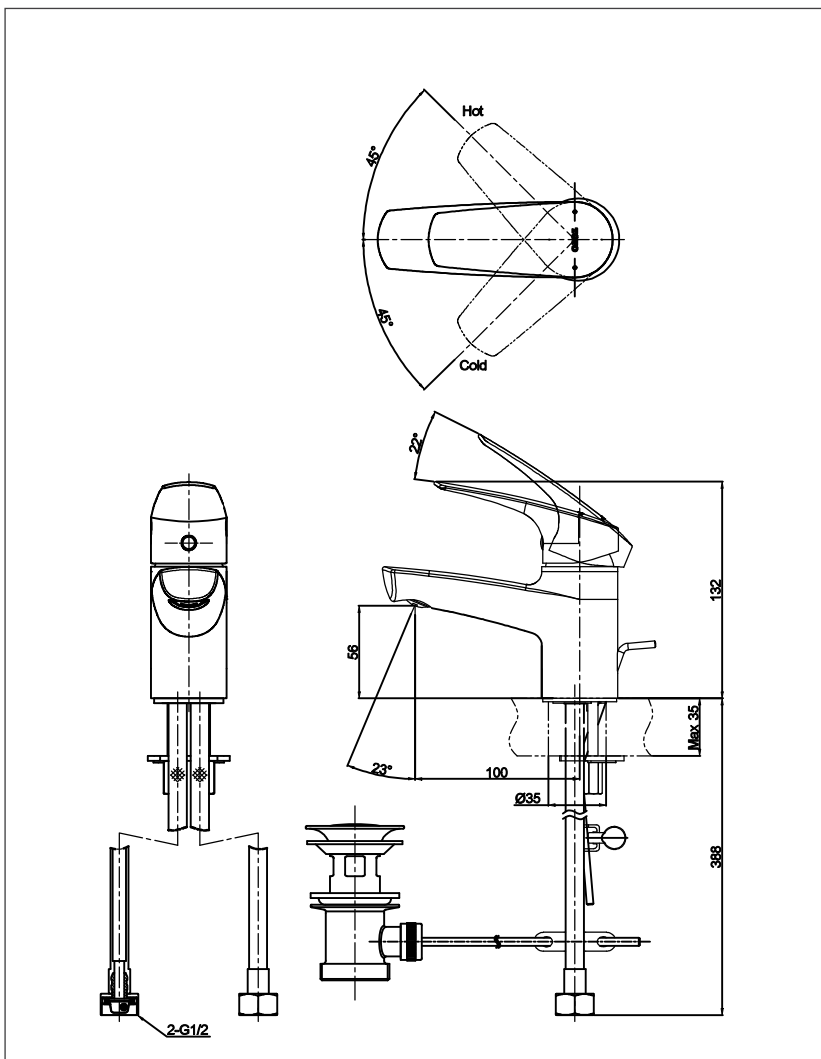
Water Pressure : 0.05MPa~0.75MPa

Finish : Nickel Chrome

Material : Brass

Parts Description

- **TTL301FK-1**
Single Lever Lavatory Faucet with Pop-Up Waste



Please consult a TOTO representative for details