

CRES

Extended Single Lever Lavatory Faucet
w/o Pop-Up Waste
(Cold Water)



Features

- Sharp-lined smart design exclusively for CRES series
- Durable finishes
- Smooth operation with lever type

Specifications

Water Pressure : 0.05MPa - 0.75MPa

Hole : 1 Hole

Finish : Nickel Chrome

Material : Brass

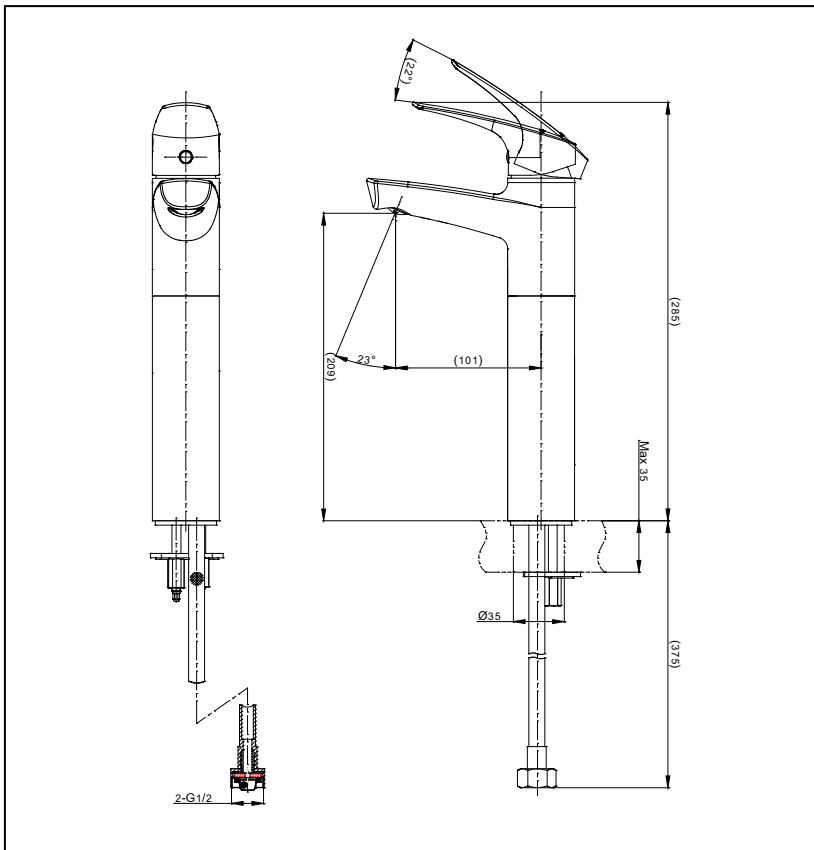
Parts description

● TTLC101FVK

Extended Single Lever Lavatory Faucet
without Pop-Up Waste
(Cold Water)

Remarks:

Please result TOTO sales representative for detail.



TOTO (THAILAND) CO.,LTD

Bangkok Office : G Tower Grand Rama 9,12th Floor, South Wing, 9 Rama IX Road,Huaykwang Sub-district,Huaykwang District, Bangkok. 10310 Thailand
Tel : +(66)2-117-9520(AUTO) Fax : +(66)2-117-9527
th.toto.com