

CRES
Lavatory Faucet
(Cold Water only)



Features

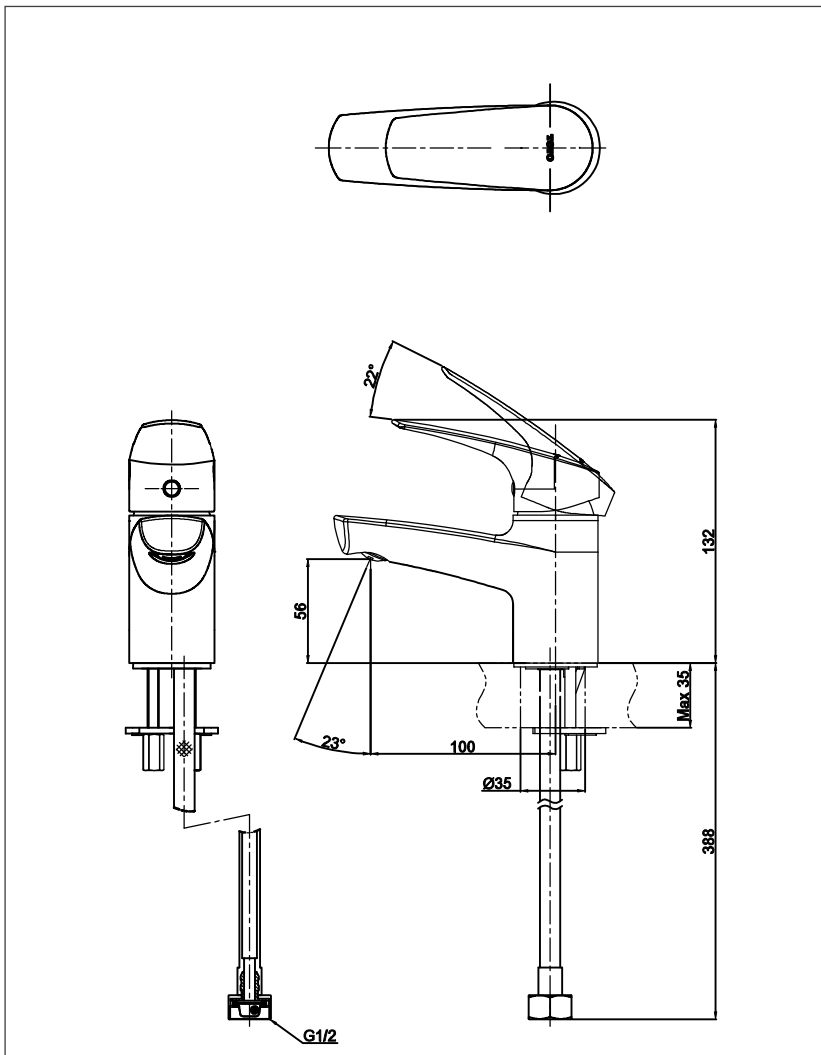
- Sharp-lined smart design exclusively for CRES series
- Durable finishes

Specifications

Water Pressure : 0.05MPa~0.75MPa

Finish : Nickel Chrome

Material : Brass



Parts Description

- **TTLC101FK**
Single Lever Lavatory Faucet
(Cold Water only) w/o Pop-Up Waste

Please consult a TOTO representative for details