



### Features

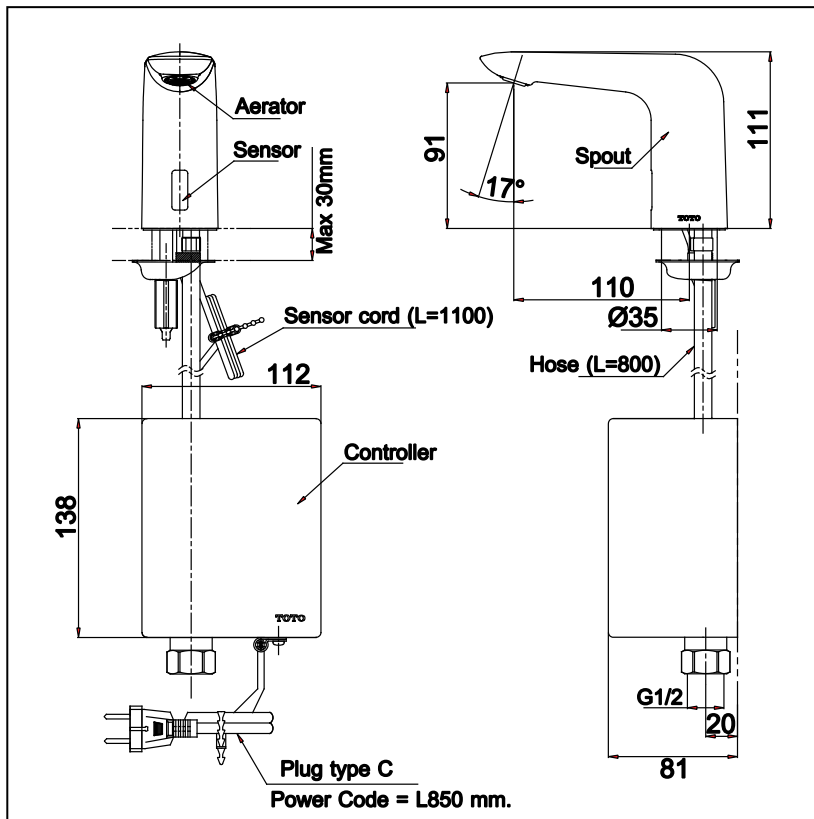
- Infra-red sensor, public use applicable
- Smaller body, space saving.

### Specifications

Water Pressure : 0.05MPa - 0.75MPa  
 Finish : Nickel Chrome  
 Material : Brass  
 Flow Rate : 2L/min @0.2MPa

### Parts description

- TTLA101K-AC  
 Auto Faucets (AC220V)



### Remarks:

Please result TOTO sales representative for detail.