



Features

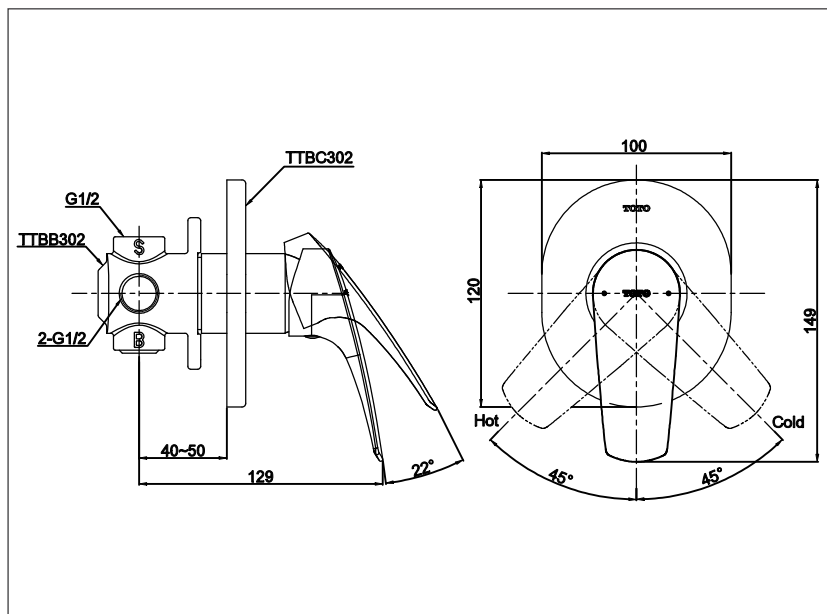
- Sharp-lined smart design exclusively for CRES series
- Durable finishes
- Smooth operation with lever type

Specifications

Water Pressure : 0.05MPa~0.75MPa

Finish : Nickel Chrome

Material : Brass



Parts Description

- **TTBC302K**
Single Lever Shower Mixer

Please consult a TOTO representative for details