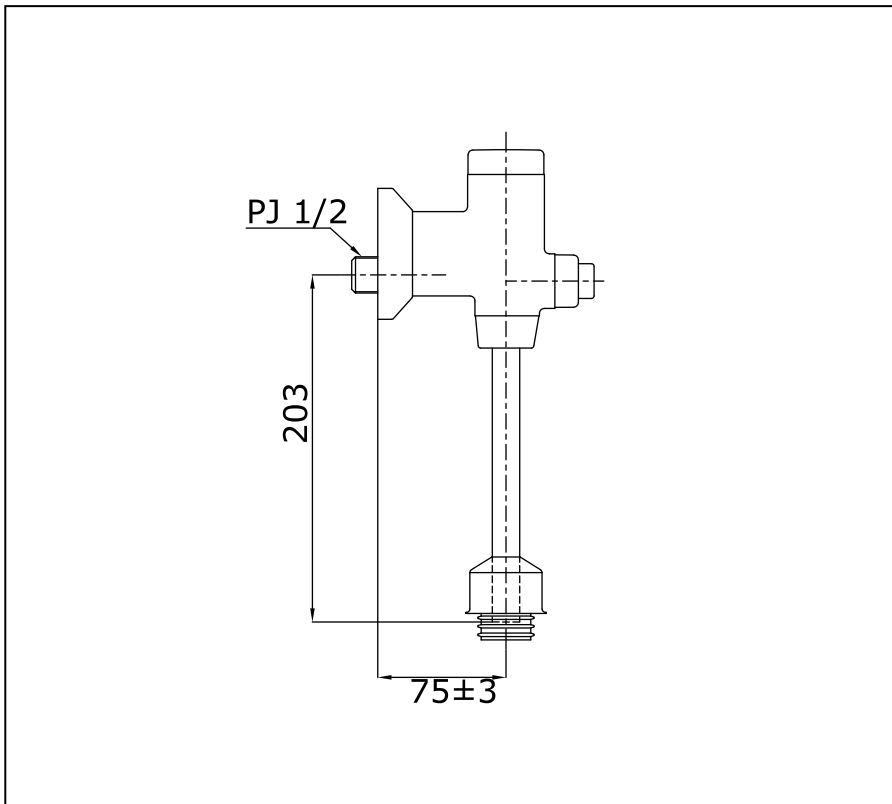


**F**eatures

- Durable finishes
- Brass valve body

Specifications

Water Pressure	: 0.05MPa - 0.40MPa
Material	: Brass
Finish	: Nickel Chrome

Drawing:**P**arts description

- **TS403P(HM)**
Urinal Flush Valve with Straight Pipe
(Installation Distance : 75 mm)

Please consult a TOTO representative for details