



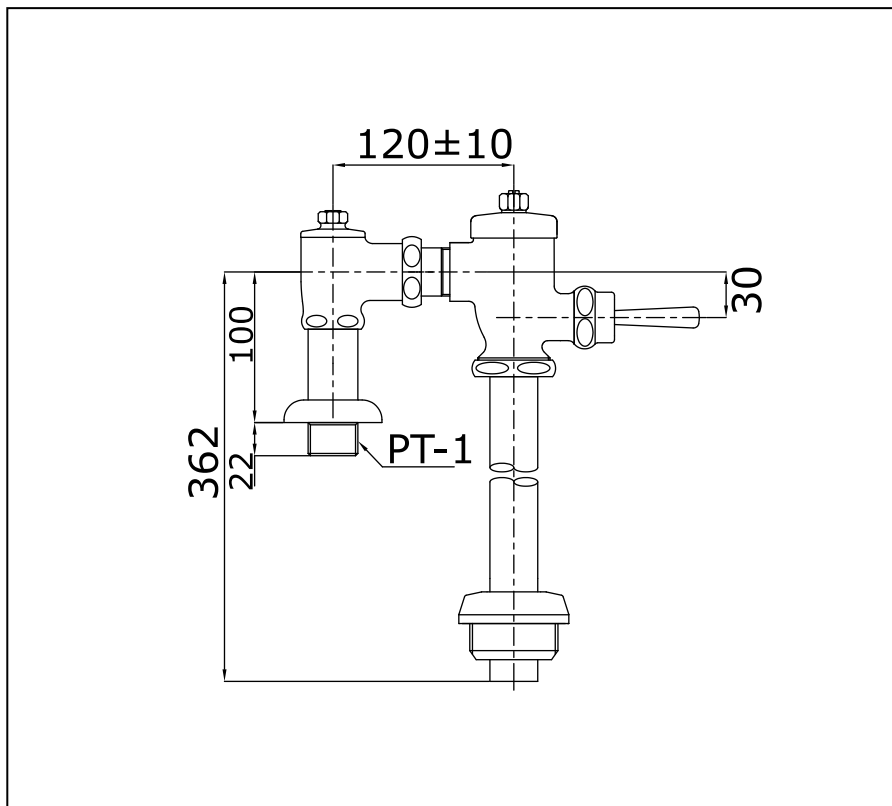
### Features

- Durable finishes
- Brass valve body

### Specifications

Water Pressure	: 0.05MPa - 0.40MPa
Material	: Brass
Finish	: Nickel Chrome

### Drawing:



### Parts description

- **TS401NS**  
Toilet Flush Valve with Straight Pipe

Please consult a TOTO representative for details