



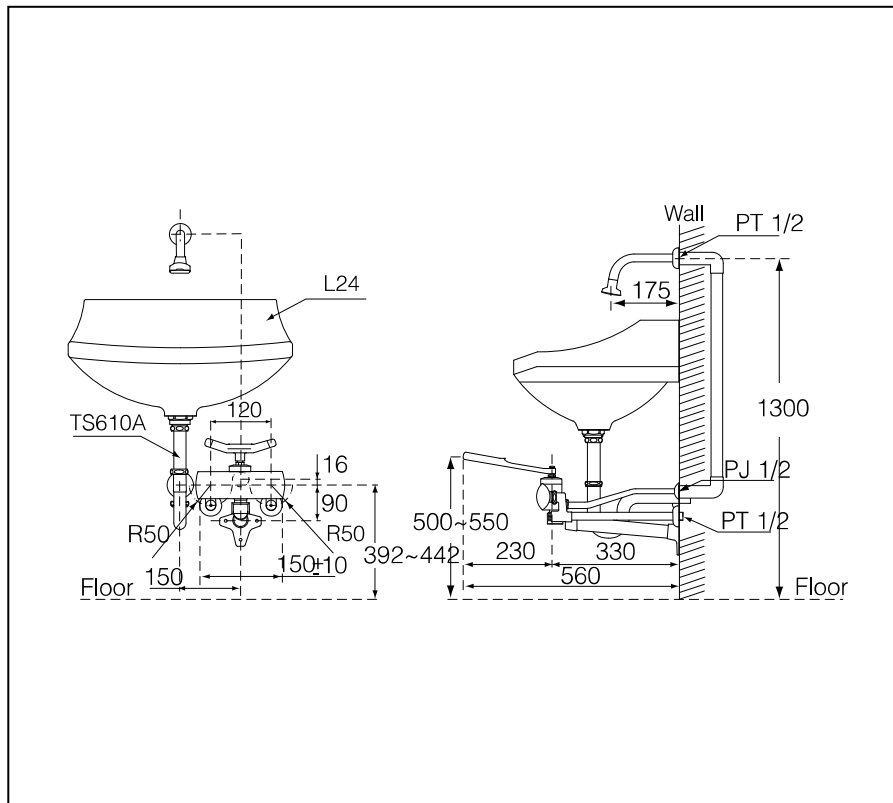
Features

- Durable finishes
- Lab use, Knee action mixer

Specifications

Water Pressure	: 0.05MPa - 0.75MPa
Material	: Brass
Finish	: Nickel Chrome

Drawing:



Parts description

- **TS213**
Knee Action Mixer

Please consult a TOTO representative for details