



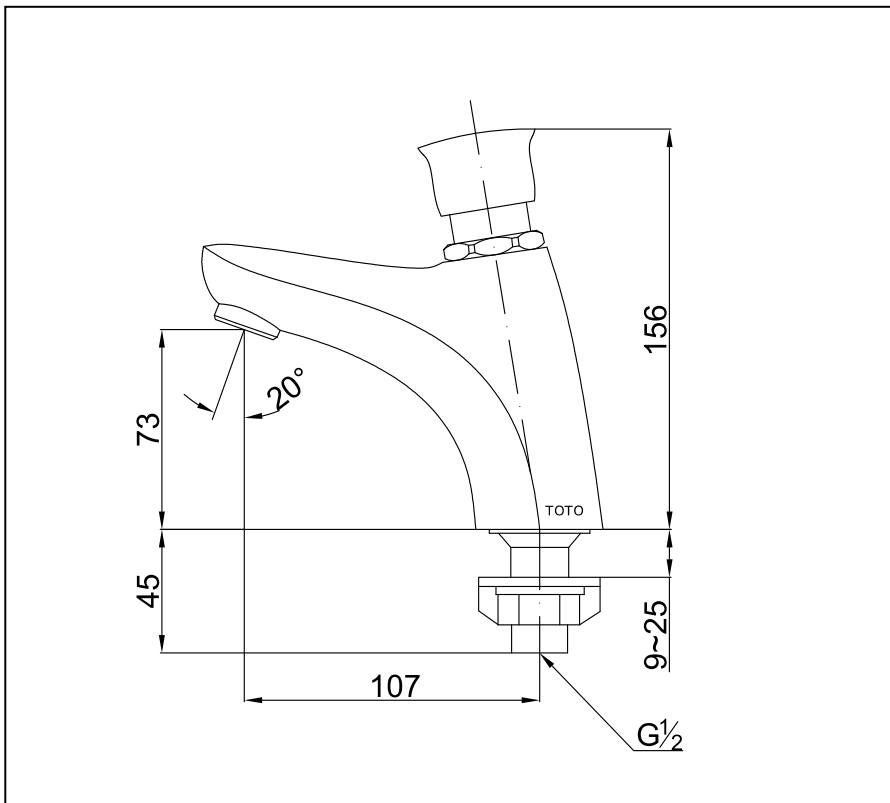
## Features

- Durable finishes
- Brass valve bodies

## Specifications

Water Pressure	: 0.05MPa - 0.75MPa
Material	: Brass
Finish	: Nickel Chrome

## Drawing:



## Parts description

- **TS100N**  
Self-Closing Lavatory Faucet

Please consult a TOTO representative for details