

LC Series  
Single Lever Lavatory Faucet  
(cold water)

## TLS03101T



### Features

- Design Concept is Life and Curve
- TOTO original cartridge for smooth control
- High corrosion resistance plating

### Specifications

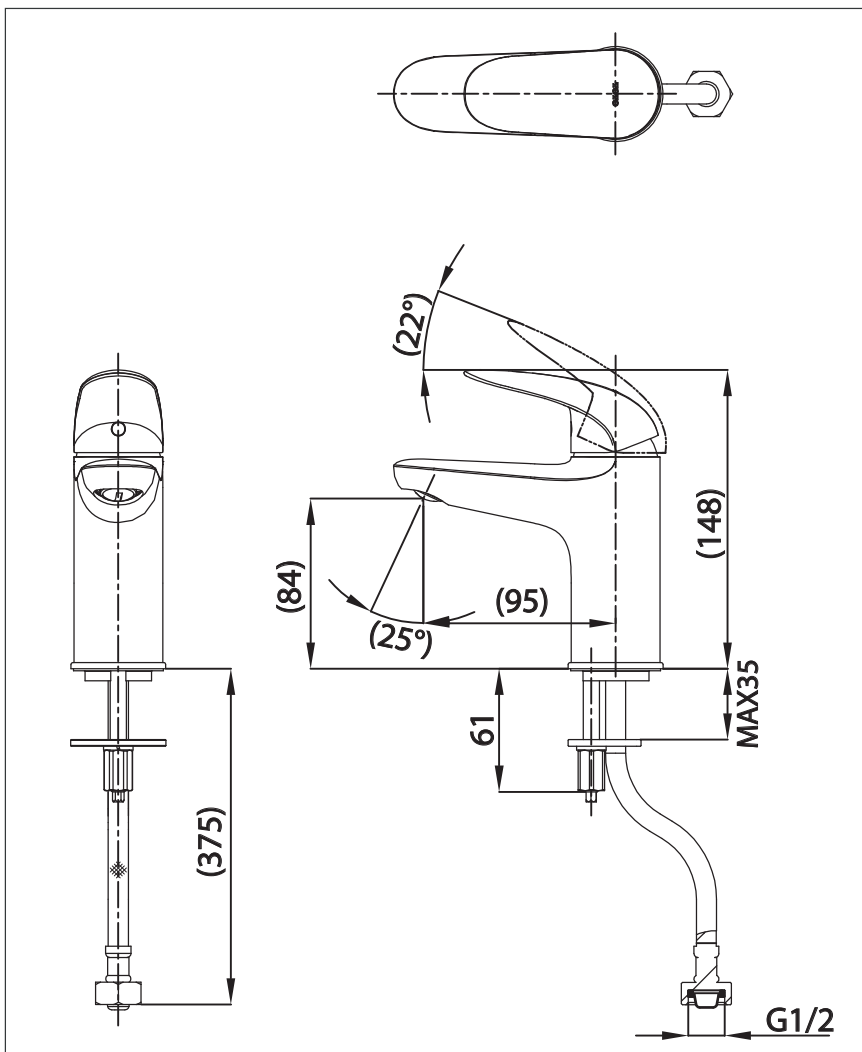
Finish : Chrome

Material : Brass

Water Pressure : 0.05 ~ 1.0 Mpa

### Parts Description

- **TLS03101T**  
Single Lever Lavatory Faucet  
without Pop-Up Waste (cold water)



Please consult a TOTO representative for details