

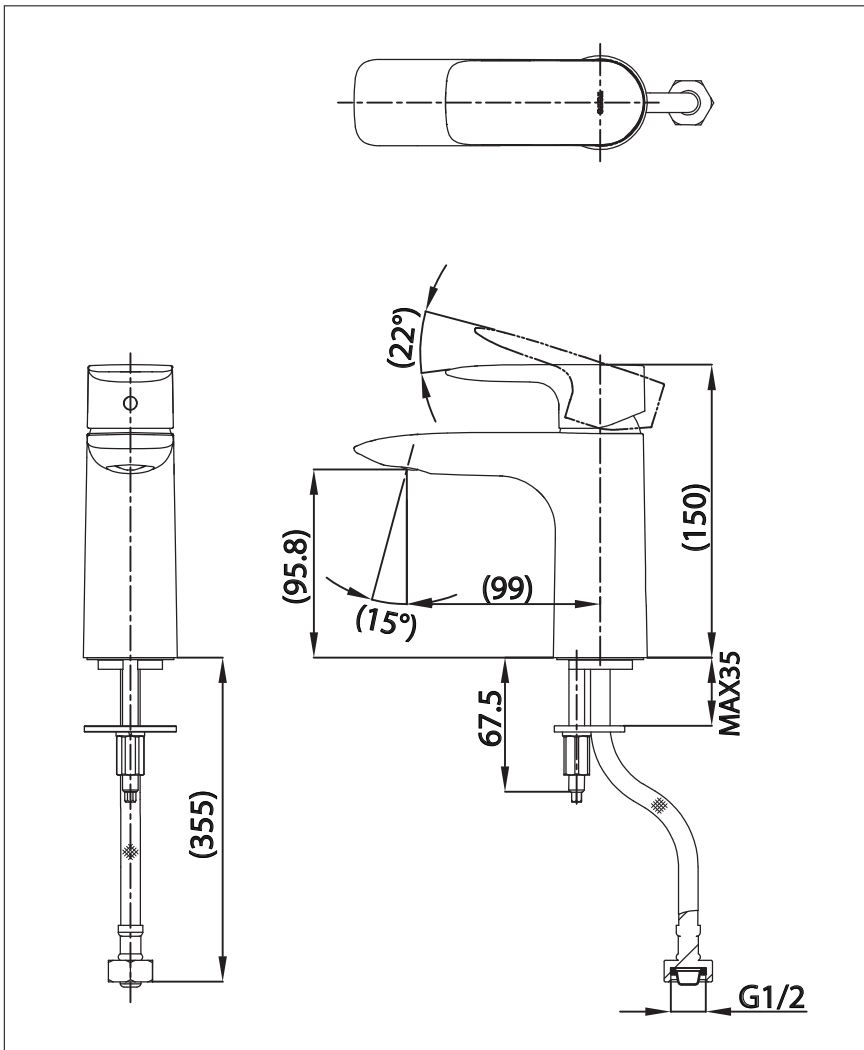
GA Series
Single Lever Lavatory Faucet
(Without Pop-Up Waste)
(Cold Water Only)

TLG04103T



Features

- Design Concept is Gorgeous and Advance.
- Long lasting, comfort glide mechanism for a smooth operation
- High corrosion resistance plating



Specifications

Finish : Chrome

Material : Brass

Water Pressure : 0.05 ~ 1.0 Mpa

Parts Description

- **TLG04103T**
Single Lever Lavatory Faucet
(Without Pop-Up Waste)
(Cold Water Only)

Please consult a TOTO representative for details