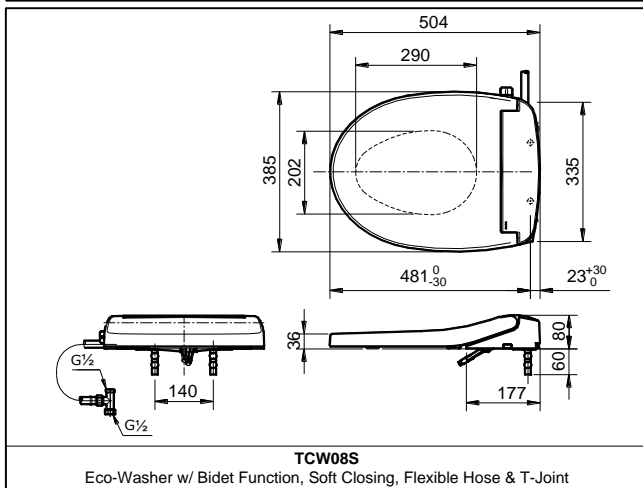
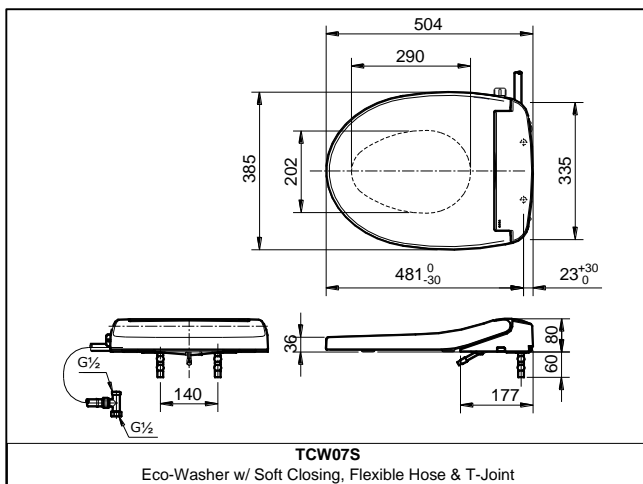


SPECIFICATIONS



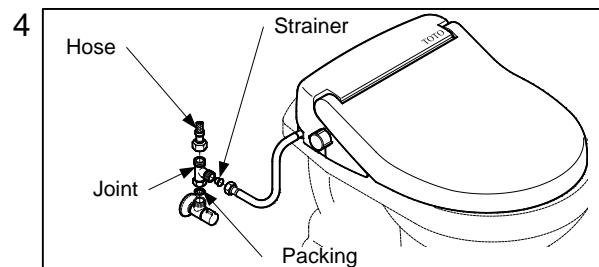
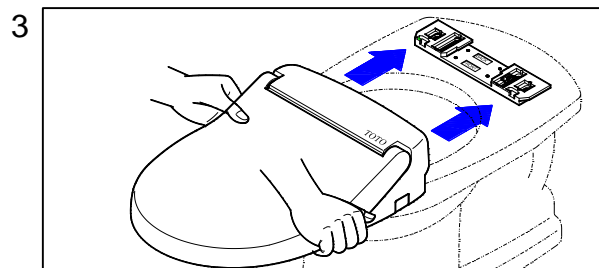
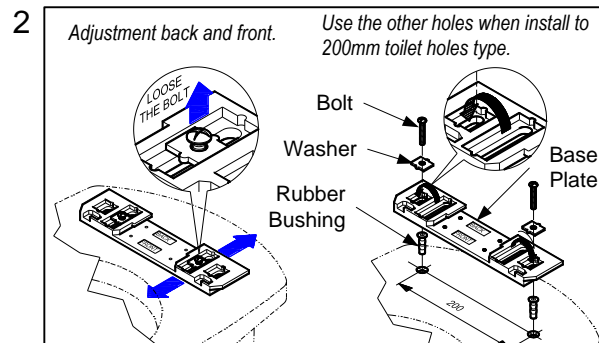
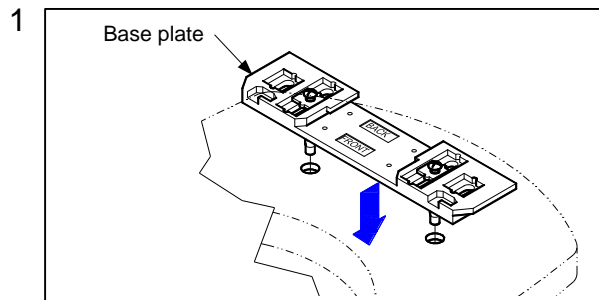
OPERATING CONDITIONS

Water supply pressure : 0.05 ~ 0.5 MPa .

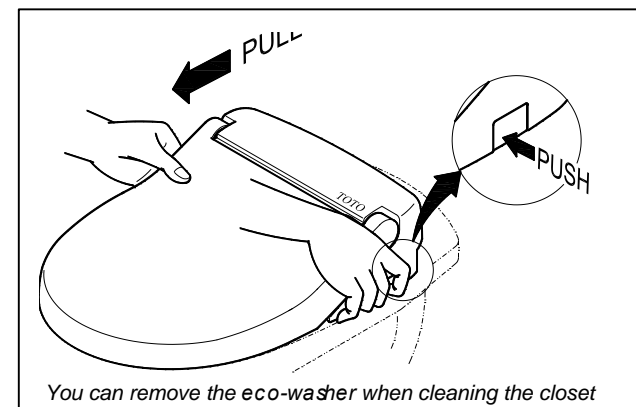
ATTENTION

Use of abrasive cleaning material such as; detergents containing hydrochloric acids, thinner, polishing powder, and nylon brush is not recommended.

INSTALLATION



MAINTENANCE



TROUBLESHOOTING

PROBLEM	CHECK POINT	SOLUTION
Spray unsatisfactory	1	Remove and clean

