

Use condition, attentions in construction and maintenance

Use condition

1. The ambient temperature for service is above 0C.
2. If you want to scrap this product, please do not dispose it as general living garbage. Please let an independent recovery system dispose, restore and recover in accordance with relevant statutes.
3. The product in the present instructions has the function to place a shower and adjust the bath height.

Attentions in construction

⚠ Attention: it means that ignoring this mark and misoperation may cause personal injury or property loss.

⚠ Attentions

1. Do not impact the product. Otherwise, failure, water leakage may occur.
2. Please be sure to install on the concrete wall surface. It is imperative to use the expansion pipe and tapping screws supplied with the product for installation. Otherwise, personal injury may occur due to product dropping as a result of instable installation.
3. After installation, please confirm if the product becomes loose. If so, the product may fall off or the wall surface damage may result in user falling or being injured.
4. With the product design being updated constantly, the physical object may not coincide with the figure. However, the basic principle for installation, use is the same.

Maintenance

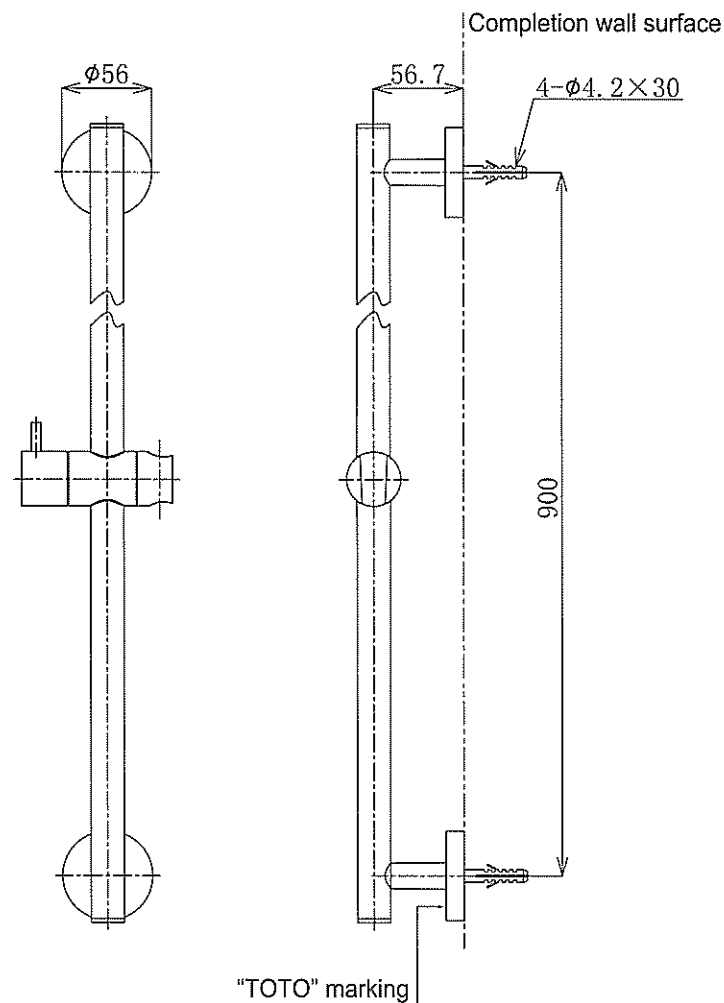
To maintain a beautiful appearance of the product, the user is requested to conduct maintenance and care in the following method.

1. Wipe with a piece of soft cloth frequently and use a piece of soft cloth dipped in water to wipe from time to time.
2. When dirt exists obviously, please use water to wash sufficiently after wiping with a neutral detergent.
3. Do not use toilet cleaning powder, abstergent, machine oil, xina water, strong acidic and alkaline detergent or such detergent as containing particle matters, nylon brush to clean this product.

Installation completion figure

TBW01015*

"L Shower" Sliding Rail 900 (Standard Type)

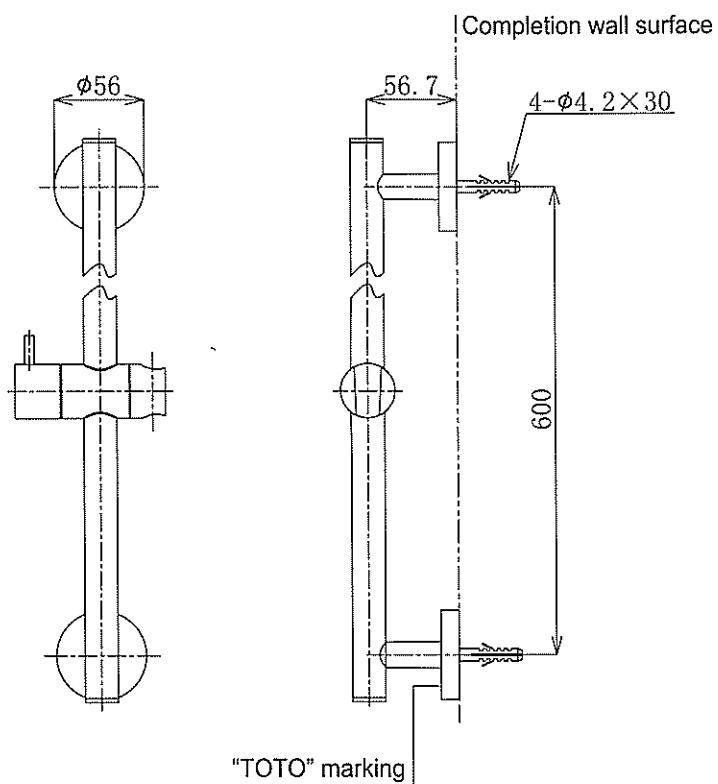


Note: The above dimensional unit is mm.

Installation completion figure

TBW01016*

"L Shower" Sliding Rail 600 (Standard Type)

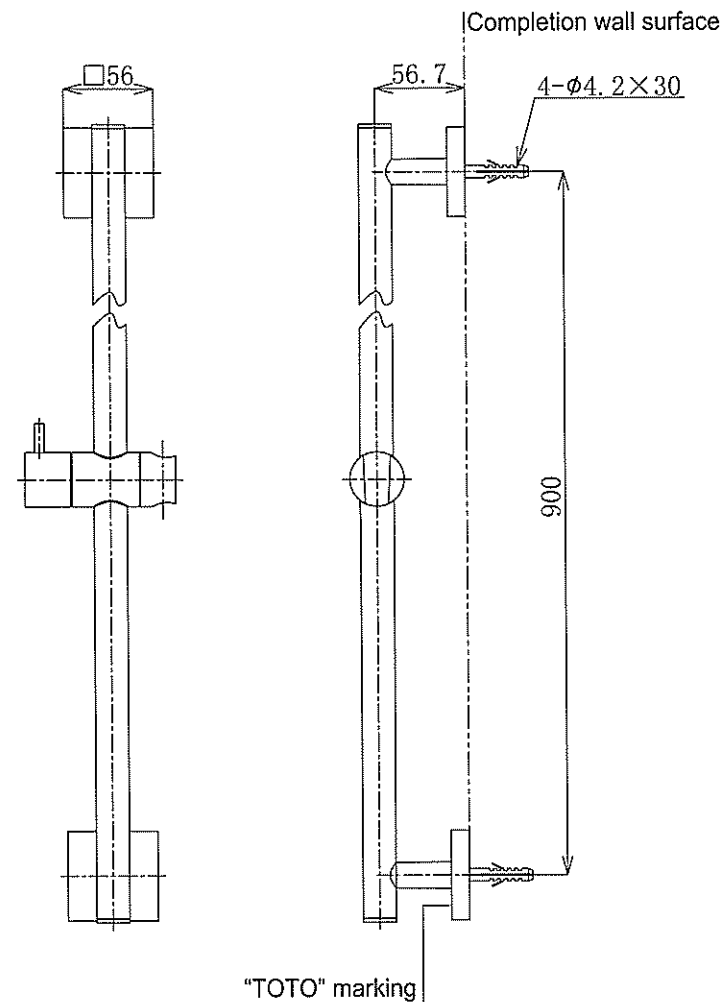


Note: The above dimensional unit is mm.

Installation completion figure

TBW02011*

"L Shower" Sliding Rail 900 (Contemporary Type)

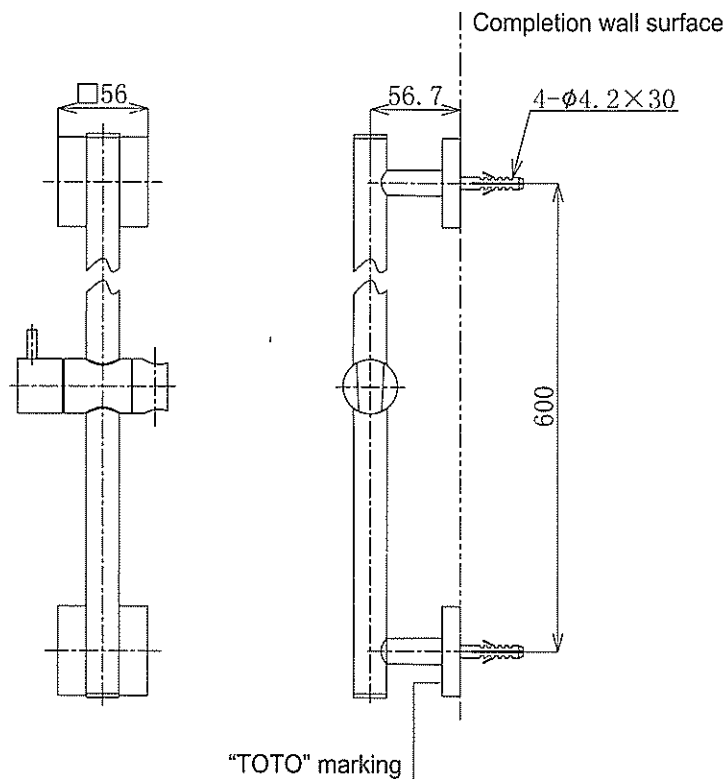


Note: The above dimensional unit is mm.

Installation completion figure

TBW02012*

"L Shower" Sliding Rail 600 (Contemporary Type)



Note: The above dimensional unit is mm.

Shower holder installation

1. As shown in figure 1, try to assemble the slide type shower holder. Install properly the fixed rod, slide seat, wall seat core, wall seat and decorating cover. (For specific assembly process, refer to step 3)

Attentions:

- ① Do not scratch the plated surface in installation or disassembly.
- ② Do not install reversely the slide seat. (The handle faces upward when the knob is locked)
- ③ The wall seat core is in the vertical direction.
- ④ The decorating cover with "TOTO" marking is installed on the wall in the lower part.

2. Drill a hole at a proper location on the wall against the type paper and drive the expansion sleeve into the hole.

3. At first, put the wall seat core through the wall seat and then fix the wall seat onto the wall with tapping screws; then put the decorating cover on the wall seat; fix the other wall seat properly by the same method; then insert the wall seat core head into the fixed rod installation hole. At last, tighten the straight fastening screws (Attention: ensure that the fastening screw head is inserted into the wall seat core); put the plug cover on properly to finish the product installation.

Attention: Please ensure the wall surface to be flat before installation; be sure to confirm the distance between the two wall seats. Ensure that the two wall seat cores coincide with the two installation holes for the fixed rod.

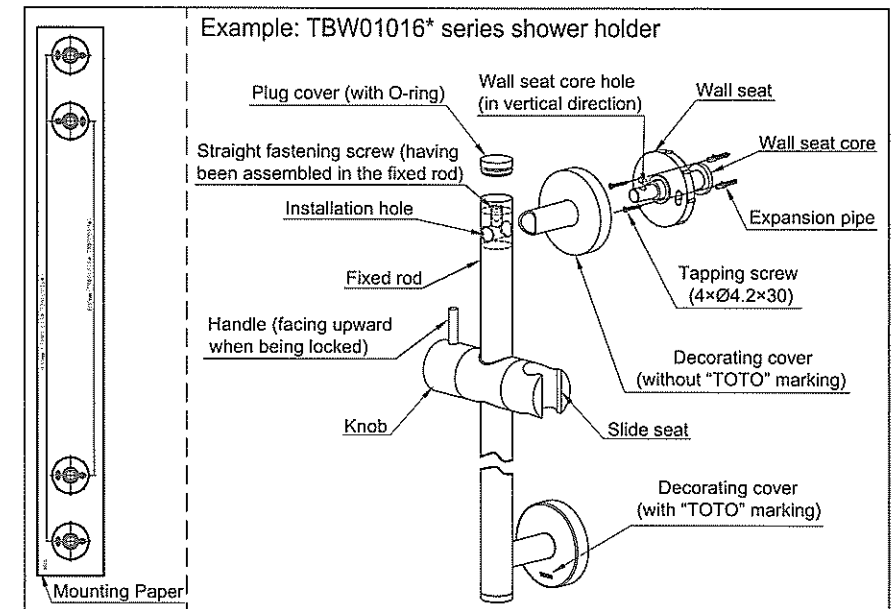


Figure 1: Shower holder installation

